



NORTHERN
SUPPLY

2024 Pool Catalog



northernsupplypool.com

800-962-1670

TABLE OF CONTENTS

About Northern Supply	3	SpaBrite	107
Terms and Conditions	3	Light Replacement Parts	108-113
Chemical	5	Automation	115
Clear Result	5-8	IntelliCenter	115-116
Haviland	9-11	EasyTouch Control Systems	117
Balancers (Jars)	12	IntelliTouch Pool and Spa Remotes	118
SpaPure	13-15	IntelliChem	118
Nature's Care	15	IntelliChlor Salt Chlorinator	119
Sea Klear	15	Zinc Anodes (Pool Tool)	119
Taylor	16-17	ScreenLogic	119
Cal-Hypo Products	17	IntelliConnect Control Systems	120
Chemical Feeders	18	IntelliValve	120
Feeder Replacement Parts	19-21	IntelliLevel	120
Pentair Filters	23	Automation Replacement Parts	121-124
Sand Filters	23-24	Boards, Rails, and Recreation	125
Cartridge Filters	24	S.R. Smith Boards and Stands	125
System 3 Filters	25	S.R. Smith Ladders and Rails	126
Aboveground Filter Systems	25	Global Ladders and Rails	126
Glass Media	25	Steps, Treads, Anchors & Accessories	127
Specialty Valves	26-27	S.R. Smith Slides	127
Filter Replacement Parts	28-49	Global Slides	127
Pumps	51	Safron Ladders and Rails	127
IntelliFlo3	51	White Goods	130
IntelliPro3	51	Skimmers, Main Drains, & Deck Jets	130
WhisperFlo	51	Fittings	131
WhisperFlo XF	52	Automatic Water Fillers	131
Max-E-Pro	52	Replacement Parts	132-135
Max-E-Pro XF	52	Safety and Maintenance	137
SuperFlo	53	Flex Pipe and Hose	137
SuperMax	53	Pool Alarms	137
SuperFlo VS	53	Automatic Pool Cleaners	138-139
SuperMax VS	53	Solar Covers	139
Commercial Pumps	54	Merlin Safety Covers and Accessories	140
Specialty Pumps and Cords	54	ClearDeck Automatic Pool Covers	140
Motors	54-55	Mortex Decking Components	142
Pump Replacement Parts	56-75	Mortex Pool Forms	142
Heaters and Heat Pumps	77	Cardinal Forms	143
ETi 400 Heater	77	Stegmeier Forms	143
UltraTemp ETI	77	Cement and Primer	144
MasterTemp	78-79	Pour-a-Lid	144
Sta-Rite	79	Wall Foam	144
UltraTemp Heat Pump	79	UV Disinfection	144
Heaters/Heat Pump Replacement Parts	80-100	Paramount Infloor Cleaning Systems	145
Lights and Niches	101	Blowers	145
MicroBrite	101	ADA Lifts	146
GloBrite	102	JED Pool Tools	146
IntelliBrite	103-104	Manufacturer Contact Information	147
Amerlite and Niches	105	Warranty Information	148
AmerBrite	105		
AquaLuminator	106		
AquaLumin III	106		
AquaLight	107		

About Northern Supply

Northern Supply, Inc. proudly distributes swimming pool and spa equipment, parts, and chemical to pool builders and retailers in the Northeastern United States. As a family owned and operated business for over 30 years, we understand the importance of quick communication and quality customer service.

We carry Pentair equipment and Haviland chemical, along with a variety of other products. During swimming pool season, our warehouse is fully stocked, making the order and delivery process quick and hassle-free.

Our Locations

Rochester Location (Main Office)

Ship to: 2959 Ashman Rd. Bloomfield, NY 14469
Mail to: PO Box 69
Bloomfield, NY 14469
Phone: (585) 657-6700
Toll Free: (800) 962-1670
Fax: (585) 657-7874
Toll Free Fax: (800) 657-7874

Albany Location

45 Homestead Dr.
Coxsackie, NY 12051
Phone: (518) 731-9155
Fax: (518) 731-6388
Toll Free Fax: 888-631-9934

Terms & Conditions

Terms

Net 30 days, 1.5% per month service charge on past due invoices. \$25.00 net billing, all others COD.
Any account referred will assume collection costs and attorney fees. All returned checks are subject to a \$25.00 service charge.

Taxes

Resale certificates are the responsibility of the buyer. Any federal or state excise for tax for which we are responsible will be charged to the buyer.

Freight

All freight is F.O.B. Rochester or Coxsackie, NY. Special orders are subject to freight charges.

Warranty

Product warranty is the sole responsibility of the manufacturer. Northern Supply, Inc. cannot be held responsible for manufacturers' warranties.

Returns

Merchandise cannot be returned for credit without approval. All special orders are considered non-returnable items. All returns are subject to a 15% restocking fee.

Note: Prices are subject to change without notice.

Chemical

Clear Result Sanitizers



Product Number	Description	Package Size	Dealer Price	List Price
GRANULAR DI-CHLOR				
CLE2274-CS20B2	Granular Di-chlor	12 x 2 lb	\$150.62	\$231.73
CLE2274-CS77C1	Granular Di-chlor	8 x 4 lb	\$194.13	\$298.66
CLE2274-CS74C1	Granular Di-chlor	4 x 10 lb	\$236.58	\$363.98
CLE2274-PL25	Granular Di-chlor	25 lb	\$136.78	\$210.43
3" TABS				
CLE2345-CS74C1	3" Tabs	4 x 10 lb	\$233.74	\$359.61
CLE2345-PL25	3" Tabs	25 lb	\$119.79	\$184.30
CLE2345-PL50	3" Tabs	50 lb	\$235.85	\$362.85
BROMINE TABS				
CLE2497-PL50	Bromine Tabs	50 lb	CALL FOR PRICING	CALL FOR PRICING

Chemical

Clear Result Shocks



Product Number	Description	Package Size	Dealer Price	List Price
CHLORINE FREE OXIDIZING SHOCK				
CLE2451-CS20P5	Chlorine Free Oxidizing Shock	12 x 1 lb	\$68.70	\$105.69
CLE2451-PL25	Chlorine Free Oxidizing Shock	25 lb	\$139.09	\$213.99
QUICK SHOCK				
CLE2275-CS20P5	Quick Shock	12 x 1 lb	\$85.13	\$130.96
MULTI CLEAR SHOCK EXTRA				
CLE5320-CS20P5	Multi Clear Shock Extra	12 x 1 lb	\$75.27	\$115.81

Clear Result Algaecides

Product Number	Description	Package Size	Dealer Price	List Price
CLE3002-CS20Q	Algae Clear 50	12 x 1 qt	\$187.35	\$288.24
CLE3056-CS20Q	Poly Clear 30	12 x 1 qt	\$154.49	\$237.68
CLE3057-CS20Q	Poly Clear 60	12 x 1 qt	\$275.11	\$423.25
CLE3123-CS20Q (Available while supplies last - replacement product # CLE7337-CS20Q)	Copper Clear 7	12 x 1 qt	\$227.40	\$349.85
CLE2821-CS20B2	Mustard Clear	12 x 2 lb	\$258.05	\$397.00

Chemical

Clear Result Enhancers



Product Number	Description	Package Size	Dealer Price	List Price
UV BLOCK				
CLE2639-CS20P5	UV Block	12 x 1 lb	\$59.29	\$91.22
CLE2639-CS77C1	UV Block	8 x 4 lb	\$150.58	\$231.66
CLE2639-CS74C1	UV Block	4 x 10 lb	\$175.90	\$270.62
CLE2639-PL25	UV Block	25 lb	\$90.57	\$139.33
ACTIVATOR PLUS				
CLE2820-PL20	Activator Plus	20 lb	\$68.86	\$105.94
CLE2820-PL45	Activator Plus	45 lb	\$134.04	\$206.22

Clear Result Troubleshooters

Product Number	Description	Package Size	Dealer Price	List Price
CLE2885-CS20Q	Micro Clear	12 x 1 qt	\$265.12	\$407.88
CLE3261-CS20Q	Pool & Tile Cleaner	12 x 1 qt	\$132.62	\$204.03
CLE3219-CS20Q	Stain & Scale Remover (Liquid)	12 x 1 qt	\$219.05	\$337.00
CLE3159-CS20Q	Super Clarifier	12 x 1 qt	\$78.04	\$120.06
CLE2763-CS20Q	Super Floc	12 x 1 qt	\$151.94	\$233.75
CLE2762-CS20Q	Filter Clean	12 x 1 qt	\$117.46	\$180.71
CLE2901-CS20Q	Phos Away	12 x 1 qt	\$189.67	\$291.80
CLE2824-CS40OZ	Sand Filter Aid	20 x 6 oz	\$167.05	\$257.00

Chemical

Clear Result Balancers



Product Number	Description	Package Size	Dealer Price	List Price
pH UP				
CLE2549-CS20P5	pH Up	12 x 1 lb	\$21.47	\$33.03
CLE2549-CS77C2	pH Up	8 x 5 lb	\$71.66	\$110.24
CLE2549-CS74C1	pH Up	4 x 10 lb	\$62.78	\$96.58
CLE2549-PL20	pH Up	20 lb	\$28.78	\$44.28
pH DOWN				
CLE2596-CS20B4	pH Down	12 x 3 lb	\$60.31	\$92.78
CLE2596-CS77C2	pH Down	8 x 5 lb	\$67.33	\$103.59
ALKALINITY INCREASER				
CLE2667-CS77C2	Alkalinity Increaser	8 x 5 lb	\$71.88	\$110.58
CLE2667-CS74C1	Alkalinity Increaser	4 x 10 lb	\$58.38	\$89.82
CLE2667-PL25	Alkalinity Increaser	25 lb	\$31.54	\$48.53
CLE2667-BX25L	Alkalinity Increaser	25 lb	\$25.88	\$39.81
HARDNESS INCREASER				
CLE2709-CS77C1	Hardness Increaser	8 x 4 lb	\$67.86	\$104.40
CLE2709-CS74C1	Hardness Increaser	4 x 10 lb	\$59.89	\$92.14
CLE2709-PL25	Hardness Increaser	25 lb	\$34.43	\$52.97
CLE2709-BX25L	Hardness Increaser	25 lb	\$24.34	\$37.44

Chemical

Haviland Sanitizers



Product Number	Description	Package Size	Dealer Price	List Price
GRANULAR 56%				
HAV2280-CS74C1	Granular 56%	4 x 10 lb	\$236.58	\$363.98
HAV2280-PL25	Granular 56%	25 lb	\$136.78	\$210.43
1\"/> 				

Haviland Shocks

Product Number	Description	Package Size	Dealer Price	List Price
HAV5321-CS20P5	Multi Shock Extra	12 x 1lb	\$75.27	\$115.81
HAV2282-CS20P5	Quick Shock	12 x 1 lb	\$85.13	\$130.96
HAV2456-CS20P5	Wipe Out	12 x 1 lb	\$68.70	\$105.69
HAV2456-CS74C1	Wipe Out	4 x 10 lb	\$214.97	\$330.72

Chemical

Haviland Balancers

Product Number	Description	Package Size	Dealer Price	List Price
pH INCREASER				
HAV2552-CS77C2	pH Increaser	8 x 5 lb	\$71.66	\$110.24
HAV2552-CS74C1	pH Increaser	4 x 10 lb	\$62.78	\$96.58
HAV2552-PL20	pH Increaser	20 lb	\$28.78	\$44.28
pH REDUCER				
HAV2599-CS77C2	pH Reducer	8 x 5 lb	\$67.33	\$103.59
HAV2599-CS74C2	pH Reducer	4 x 14 lb	\$82.09	\$126.29
TOTAL ALKALINITY INCREASER				
HAV2669-CS77C2	Total Alkalinity Increaser	8 x 5 lb	\$71.88	\$110.58
HAV2669-CS74C1	Total Alkalinity Increaser	4 x 10 lb	\$58.38	\$89.82
HAV2669-PL25	Total Alkalinity Increaser	25 lb	\$31.54	\$48.53
HAV2669-BX25L	Total Alkalinity Increaser	25 lb	\$25.88	\$39.81
WATER HARDNESS INCREASER				
HAV2711-CS77C1	Water Hardness Increaser	8 x 4 lb	\$67.86	\$104.40
HAV2711-CS74C1	Water Hardness Increaser	4 x 10 lb	\$59.89	\$92.14
HAV2711-PL25	Water Hardness Increaser	25 lb	\$34.43	\$52.97
HAV2711-BX25L	Water Hardness Increaser	25 lb	\$24.34	\$37.44



Haviland Algaecides

Product Number	Description	Package Size	Dealer Price	List Price
HAV2835-CS20B2	Mustard Eliminator	12 x 2 lb	\$258.05	\$397.00
HAV3062-CS20Q	Combat 60	12 x 1 qt	\$275.11	\$423.25
HAV3061-CS20Q	Combat 30	12 x 1 qt	\$154.49	\$237.68
HAV3125-CS20Q	Algae Kil CB7	12 x 1 qt	\$227.40	\$349.85
HAV7338-CS20Q	Algae Kil CB7.4 - NEW	12 x 1 qt	\$227.40	\$349.85

Haviland Troubleshooters

Product Number	Description	Package Size	Dealer Price	List Price
HAV3359-CS20Q	Cover Cleaner	12 x 1 qt	\$67.42	\$103.73
HAV2767-CS20Q	Liquid Filter Cleaner	12 x 1 qt	\$117.46	\$180.71
HAV3222-CS20Q	Rust-N-Scale	12 x 1 qt	\$219.05	\$337.00
HAV3367-CS20B2*	Super Rust-N-Scale	12 x 2 lb	\$162.70	\$250.31
HAV3163-CS20Q	Concentrated Clarifier	12 x 1 qt	\$78.04	\$120.06
HAV3283-CS20Q	Anti-Foam	12 x 1 qt	\$102.56	\$157.78

*Discontinued, available while supplies last

Chemical

Haviland/Clear Result Bulk Products

Product Number	Description	Package Size	Dealer Price	List Price
CLE2659-BG50L	Soda Bicarb 50#	50 lb Bag	\$29.81	\$45.86
CLE2706-BG50L	Calcium Chloride 50#	50 lb Bag	\$22.87	\$35.19
CLE2547-BG50L	Soda Ash 50# Bag	50 lb Bag	\$39.51	\$60.79



Haviland Enhancers

Product Number	Description	Package Size	Dealer Price	List Price
HAV2641-CS77C1	Stabilizer	8 x 4 lb	\$150.58	\$231.66
HAV2641-CS74C1	Stabilizer	4 x 10 lb	\$175.90	\$270.62

Chemical

Clear Result & Haviland Balancers (Jars)

Product Number	Description	Package Size	Dealer Price	List Price
ALKALINITY INCREASER				
CLE5597-CS6X5*	Alkalinity Increaser Clear Result	6 x 5 lb	\$38.83	\$59.73
CLE5597-CS4X10*	Alkalinity Increaser Clear Result	4 x 10 lb	\$41.58	\$63.96
HAV5592-CS6X5*	Alkalinity Increaser Haviland	6 x 5 lb	\$38.83	\$59.73
HAV5592-CS4X10*	Alkalinity Increaser Haviland	4 x 10 lb	\$41.58	\$63.96
pH DECREASER				
CLE5599-CS6X5*	pH Decreaser Clear Result	6 x 5 lb	\$44.03	\$67.74
CLE5599-CS4X12*	pH Decreaser Clear Result	4 x 12 lb	\$50.90	\$78.32
HAV5594-CS6X5*	pH Decreaser Haviland	6 x 5 lb	\$44.03	\$67.74
HAV5594-CS4X12*	pH Decreaser Haviland	4 x 12 lb	\$50.90	\$78.32
pH INCREASER				
CLE5600-CS6X5*	pH Increaser	6 x 5 lb	\$34.74	\$53.45
CLE5600-CS4X10*	pH Increaser (Jars)	4 x 10 lb	\$43.36	\$66.70
HAV4036-CS74C1*	pH Increaser (Bags)	4 x 10 lb	\$31.26	\$48.09
STABILIZER				
CLE5601-CS4X7*	Stabilizer Clear Result	4 x 7 lb	\$66.66	\$102.56
CLE5601-CS6X4*	Stabilizer Clear Result	6 x 4 lb	\$62.73	\$96.51
HAV5596-CS4X7*	Stabilizer Haviland	4 x 7 lb	\$66.66	\$102.56
HAV5596-CS6X4*	Stabilizer Haviland	6 x 4 lb	\$62.73	\$96.51
HARDNESS INCREASER				
CLE5598-CS4X7*	Hardness Increaser Clear Result	4 x 7 lb	\$32.67	\$50.26
CLE5598-CS6X4*	Hardness Increaser Clear Result	6 x 4 lb	\$35.82	\$55.11
HAV5593-CS4X7*	Hardness Increaser Haviland	4 x 7 lb	\$32.67	\$50.26
HAV5593-CS6X4*	Hardness Increaser Haviland	6 x 4 lb	\$35.82	\$55.11



*Sell to depletion. Available while supplies last.

Haviland Balancers (Bagged Chemical) New in 2024

Product Number	Description	Package Size	Dealer Price	List Price
ALKALINITY INCREASER				
HAV 7260-CS77C2	Alkalinity Plus	8 x 5 lb	\$44.10	\$67.85
HAV 7260-CS74C1	Alkalinity Plus	4 x 10 lb	\$42.13	\$64.81
pH DECREASER				
HAV 7262-CS77C2	pH Minus	8 x 5 lb	\$46.46	\$71.48
HAV7262-CS74C1	pH Minus	4 x 10 lb	\$44.51	\$68.47
pH INCREASER				
HAV 7263-CS77C2	pH Plus	8 x 5 lb	\$44.04	\$67.76
HAV7263-CS74C1	pH Plus	4 x 10 lb	\$42.04	\$64.68
STABILIZER				
HAV7264-CS77C2	Stabilizer	8 x 5 lb	\$93.29	\$143.52
HAV7264-CS74C1	Stabilizer	4 x 10 lb	\$92.00	\$141.54
HARDNESS INCREASER				
HAV7261-CS77C2	Hardness Plus	8 x 5 lb	\$44.15	\$67.92
HAV7261-CS74C1	Hardness Plus	4 x 10 lb	\$43.83	\$67.44

Chemical

Spa Pure Sanitize & Oxidize



Product Number	Description	Package Size	Dealer Price	List Price
BROMINE TABLETS				
CLE2510-CS20B1	Bromine Tablets	12 x 1.5 lb	\$252.42	\$388.33
CLE2510-CS77C1	Bromine Tablets	8 x 4 lb	\$373.45	\$574.54
BROM BANK				
CLE3402-CS40P	Brom Bank (Liquid)	12 x 1 pt	\$84.56	\$130.09
CLE3731-CS20X2	Sodium Bromide (Dry)	20 x 2 oz	\$53.92	\$82.96
GRANULAR CHLORINE				
CLE2311-CS20P	Granular Chlorine	12 x 1 lb	\$123.47	\$189.96
CLE2311-CS20B	Granular Chlorine	12 x 2 lb	\$222.44	\$342.22
CLE2310-CS77C1	Granular Chlorine	8 x 4 lb	\$292.42	\$449.88
CLE2476-CS20B3	Spa Oxidizing Shock	12 x 2.2 lb	\$179.80	\$276.62
CLE2475-CS77C2	Spa Oxidizing Shock	8 x 5 lb	\$246.42	\$379.11
CLE5210-CS20B2	Multi Shock Extra	12 x 2 lb	\$191.18	\$294.12

Chemical

Spa Pure Balancers & Accessories

Product Number	Description	Package Size	Dealer Price	List Price
CLE2579-CS20B6	pH Up (Dry)	12 x 16 oz	\$41.89	\$64.45
CLE2625-CS20B8	pH Down (Dry)	12 x 24 oz	\$50.95	\$78.38
CLE2693-CS20B6	Alkalinity Increaser	12 x 16 oz	\$40.56	\$62.40
CLE2693-CS20B2	Alkalinity Increaser	12 x 2 lb	\$58.74	\$90.37
CLE2729-CS20B6	Hardness Increaser (Dry)	12 x 16 oz	\$43.86	\$67.48
CLE3249-CS40P	Stain & Scale Preventer	12 x 1 pt	\$74.81	\$115.09
CLE3249-CS20Q	Stain & Scale Preventer	12 x 1 qt	\$103.24	\$158.84
CLE3292-CS40P	Spa Defoamer	12 x 1 pt	\$66.00	\$101.55
CLE3186-CS40P	Clarifier	12 x 1 pt	\$49.89	\$76.75
CLE3403-CS40P	Natural Clear	12 x 1 pt	\$105.07	\$161.64
CLE3271-CS40P	Spa [Surface] Cleaner	12 x 1 pt	\$63.10	\$97.08
CLE4599-CS40P	EZ Enzyme	12 x 1 pt	\$68.86	\$105.94
CLE3732-CS40P	Filter Cleaner (Liquid)	12 x 1 pt	\$78.50	\$120.77
CLE2854-CS20B1	Simply Soft	12 x 1.5 lb	\$103.48	\$159.21
CLE2854-CS20B2	Simply Soft	12 x 2 lb	\$120.65	\$185.61

Salt Support



Product Number	Description	Package Size	Dealer Price	List Price
CLE4862-CS74C1	System Start	4 x 10 lb	\$150.55	\$231.61
CLE4862-PL25	System Start	25 lb	\$76.81	\$118.17
CLE4867-CS20B2	Weekly Boost	12 x 2 lb	\$151.46	\$233.01
CLE4871-CS20Q	Weekly Clean	12 x 1 qt	\$110.60	\$170.15
CLE4869-CS20P5	Salt Cell Cleaner	12 x 1 lb	\$83.54	\$128.52

Chemical

Nature's Care



Product Number	Description	Package Size	Dealer Price	List Price
CLE5915-CS6X64	4-in-1 Clarifier	6 X 1/2 Gal	\$144.51	\$222.32
CLE4482-CS6X64	Pure-Zyme	6 X 1/2 Gal	\$84.71	\$130.32
CLE4489-CS6X64	Quick Cure	6 X 1/2 Gal	\$109.30	\$168.15
CLE4485-CS6X64	PhosAway	6 X 1/2 Gal	\$177.58	\$273.19
CLE4491-CS6X64	Open & Close	6 X 1/2 Gal	\$110.73	\$170.36

SeaKlear Products

Product Number	Description	Package Size	Dealer Price	List Price
SEA90051	Free & Klear	12 x 1 qt	\$222.10	\$341.69
SEA90180	Rescue Klear	12 x 1 qt	\$123.07	\$189.34
SEA90207	Phosphate Remover Commercial	12 x 1 qt	\$503.93	\$775.28
SEA90265	PhosKlear 4000	12 x 1 qt	\$292.78	\$450.43
SEA90402	Natural Clarifier for Pools	12 x 1 qt	\$188.73	\$290.35
SEA90408	Thick Tile & Vinyl Cleaner	12 x 1 qt	\$155.36	\$239.02
SEA90410	Self-Floccing Defoamer	12 x 1 qt	\$244.34	\$375.91
SEA90411	90-Day Algae Prevention & Remover	12 x 1 qt	\$232.86	\$358.25
SEA90503	Natural Clarifier for Spas	12 x 1 pt	\$100.28	\$154.28
SEA90572*	Natural Stain Remover	12 x 2 lb	\$319.15	\$491.00
SEA90573	Metal Klear	12 x 1 qt	\$230.71	\$354.94
SEA90574*	Stain Prevention & Remover	12 x 1 qt	\$205.60	\$316.30

*Albany only, discontinued, available while supplies last.

Chemical

Taylor Reagents

Product Number	Description	Package Size	List Price
TAYR-0001-A	DPD RGT #1,.75 OZ,DB	.75 Oz	\$5.68
TAYR-0001-C	DPD RGT #1,2 OZ,DB	2 Oz	\$11.73
TAYR-0002-A	DPD RGT #2; .75 OZ 24PAK	.75 Oz	\$5.77
TAYR-0002-C	DPD RGT #2,2 OZ,DB	2 Oz	\$12.10
TAYR-0003-A	DPD RGT #3,.75 OZ,DB	.75 Oz	\$6.03
TAYR-0003-C	DPD RGT #3,2 OZ,DB	2 Oz	\$12.83
TAYR-0004-A	PH IND SOL(2000 SERIES),.75 OZ,DB	.75 Oz	\$5.08
TAYR-0004-C	PH IND SOL(2000 SERIES),2 OZ,DB	2 Oz	\$8.63
TAYR-0005-A	ACID DEMAND RGT(2000 SERIES),.75 OZ,DB	.75 Oz	\$5.08
TAYR-0005-C	ACID DEMAND RGT(2000 SERIES),2 OZ,DB	2 Oz	\$8.23
TAYR-0006-A	BASE DEMAND RGT(2000 SERIES),.75 OZ,DB	.75 Oz	\$5.08
TAYR-0006-C	BASE DEMAND RGT(2000 SERIES),2 OZ,DB	2 Oz	\$7.87
TAYR-0007-A	THIOSULFATE N/10; .75 OZ 24PK	.75 Oz	\$4.67
TAYR-0007-C	THIOSULFATE N/10,2 OZ,DB	2 Oz	\$7.54
TAYR-0008-A	TOT ALK IND; .75 OZ 24PK	.75 Oz	\$4.53
TAYR-0008-C	TOTAL ALKALINITY IND,2 OZ,DB	2 Oz	\$7.94
TAYR-0009-A	SULFURIC ACID .12N,P/S,.75 OZ,DB	.75 Oz	\$4.53
TAYR-0009-C	SULFURIC ACID .12N,P/S,2 OZ,DB	2 Oz	\$7.25
TAYR-0009-E	SULFURIC ACID .12N,P/S,16 OZ	16 Oz	\$24.31
TAYR-0010-A	CALCIUM BUFF(2000 SERIES),.75 OZ,DB	.75 Oz	\$5.66
TAYR-0010-C	CALCIUM BUFF(2000 SERIES),2 OZ,DB	2 Oz	\$9.45
TAYR-0011L-A	CALCIUM IND LIQ,.75 OZ,DB	.75 Oz	\$8.92
TAYR-0011L-C	CALCIUM IND LIQ,2 OZ,DB	2 Oz	\$14.05
TAYR-0012-A	HARDNESS RGT,.75 OZ,DB	.75 Oz	\$5.64
TAYR-0012-C	HARDNESS RGT,2 OZ,DB	2 Oz	\$8.46
TAYR-0013-A	CYANURIC ACID RGT,.75 OZ,DT	.75 Oz	\$4.74
TAYR-0013-C	CYANURIC ACID RGT,2 OZ,DT	2 Oz	\$7.22
TAYR-0013-E	CYANURIC ACID RGT,16 OZ	16 Oz	\$16.42
TAYR-0013-G	CYANURIC ACID RGT,GAL	1 Gallon	\$55.06
TAYR-0014-A	PH IND SOL(RES SERIES),.75 OZ,DB	.75 Oz	\$3.01
TAYR-0015-A	ACID DEMAND RGT(RES SERIES),.75 OZ,DB	.75 Oz	\$3.04
TAYR-0016-A	BASE DEMAND RGT(RES SERIES),.75 OZ,DB	.75 Oz	\$3.06
TAYR-0600-ADB	OTO #1 .75 OZ	.75 Oz	\$2.76
TAYR-0870-I	DPD PDR,10 G	10 Gallons	\$12.97
TAYR-0870-J	DPD PDR,.25 LB	25 lbs	\$60.38
TAYR-0871-A	FAS-DPD TITR RGT,.75 OZ,DB	.75 Oz	\$14.01
TAYR-0872-A	FAS-DPD TITR RGT,.75 OZ,DB	.75 Oz	\$14.17
TAYR-0872-C	FAS-DPD TITR RGT,2 OZ,DB	2 Oz	\$19.27
TAYR-1003J-C	PH IND SOL(MIDG&SL),2 OZ	2 Oz	\$9.52
TAYR-1003J-D	PH IND SOL(MIDG&SL),4 OZ	4 Oz	\$17.02

Chemical

Taylor Test Kits

Product Number	Description	List Price
TAYK-1003	RES TRBL-SH KIT(CLASSIC),OT(HI)	\$29.39
TAYK-1289	SL KIT,CL(FR/TOT),DPD,1.0-10 PPM	\$217.14
TAYK-1579	DT KIT,CL(BLEACH)DR=10/100 PPM;0.05/0.5%	\$143.80
TAYK-1766	DT KIT,CHL(SALT),DR=200 PPM	\$43.10
TAYK-2005	2000 COMPL KIT(HI),BR&CL,DPD	\$99.54
TAYK-2100	2000 STARTER KIT(LO),BR&CL,DPD	\$65.02
TAYK-2105	2000 COMPL KIT(LO),BR&CL,DPD	\$114.89
TAYK-2106	2000 COMPL KIT(HI),BR,FAS-DPD	\$116.91

Cal-Hypo Products

Product Number	Description	Dealer Price	List Price
ALLF019055055AK	CLOR MOR CAL HYPO 3" TABS 55#	\$264.72	\$407.26
ALLF023050050VT	CALCIUM HYPOCHLORITE 1" TABS 50# VANTAGE	\$211.71	\$325.70
ALLF010055055HZ	HORIZON PT 90 55# PAIL	\$352.88	\$542.89
GLB71428A	GLB Super Charge 1# BAG (CASE OF 24)	\$103.33	\$158.98
GLB71432A	GLB Super Charge 100# PAIL	\$301.99	\$464.60

Chemical

Chemical Dispensing Device

Part Number	Mfg. Number	Outdoor Pool Gallons	Unit	Dealer Price	List Price
PENR171215	HC-3315	0-20,000	EA	\$282.20	\$434.15
PENR171230	HC-3330	Up to 40,000	EA	\$309.08	\$475.50
PENR171240	HC-3334	Up to 61,500	EA	\$323.80	\$498.16
PENR171016	300	Off-Line	EA	\$113.44	\$174.52
PENR171026	302		EA	\$126.31	\$194.33
PENR171074	335		12 pack	\$14.68	\$22.59
PENR171086	330		12 Pack	\$13.80	\$21.23
PENR171096	320	In-Line	EA	\$125.55	\$193.15

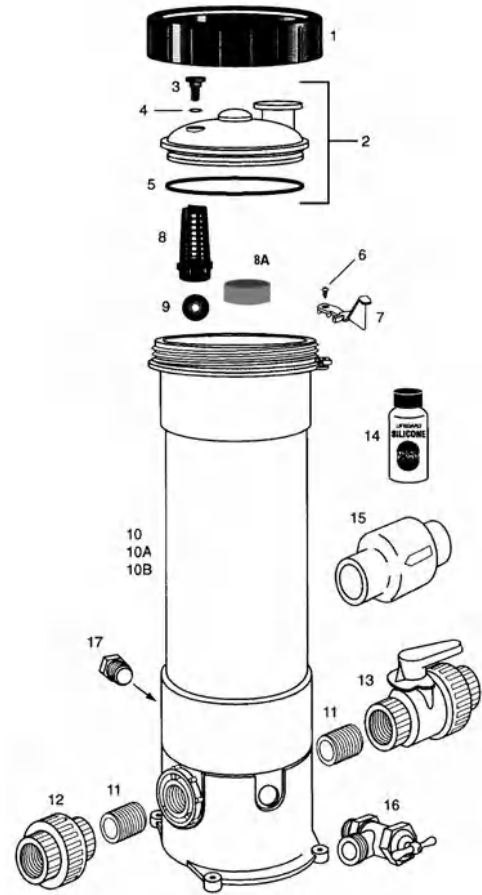
Bromine & Auto Chlorine/Bromine Feeder Sizing and Specification Chart

OUTDOOR POOL (IN M GAL)	MODEL NUMBER	INDOOR POOL (BATHERS PER DAY)	TANK DIAMETER	TANK HEIGHT	TANK CAP/LBS OF TABS
Bromine Trichlor			MAX EROSION IN 24 HOURS Chlor Brom		
20.2 97.6	R171215	Commercial Feeder	29.28# 13.68#	21 1/2"	15
40 160	R171230	Commercial Feeder	48# 27.60#	39 1/8"	30
61.5 332	R171240	Commercial Feeder	99.9# 41.52#	49 3/4"	40
	R171016	Off-Line Feeder	1.19#		98-1" 11-3"
Btm Feed Top Feed					
6500-27000 18000-70000	R171096	In-Line Feeder	1.75#	17 3/4"	98-1" 11-3"

HIGH CAPACITY AUTOMATIC FEEDERS MODELS HC-3315, HC-3330, HC-3340

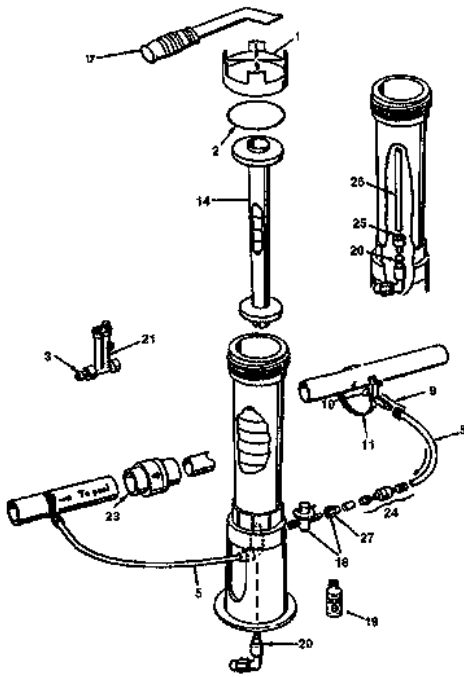
REPLACEMENT PARTS

Item	Qty.	Part No.	Description	US List	Can. List
Order No.: R171215, R171230, R171240					
Model No.: HC-3315, HC-3330, HC-3340					
Description: HIGH CAPACITY AUTOMATIC FEEDER					
1	1	R172214	Lock ring	27.08	32.54
2	1	R172385D	Lid assembly complete	47.80	57.44
3	1	R172224XZ	Vent valve	8.82	10.60
4	1	R172221Z	O-ring vent valve	2.24	2.69
5	1	R172240Z	O-ring lid to housing	18.14	21.80
6	1	R172375	Lock screw	2.24	2.69
7	1	R172374	Lock spring	8.82	10.60
8	1	R175251	Screen	8.92	10.72
8A	1	R171919	Check Valve Seat	CALL	CALL
9	1	R172435	Check ball	2.30	2.76
11	2	R270484	1 in. Close nipple	8.82	10.60
12	1	R270531	1 in. Threaded union	27.68	33.26
13	1	R172439	Control valve	128.02	153.83
14	1	R172036Z	Silicone lubricant, 3/4 oz.	14.99	18.01
15	Opt.	R172288	1-1/2 in.-2 in. Check valve	62.15	74.68
16	1	R175009	Hose Bib w/t Handle 1/2 in.	27.24	32.73
17	1	R172134	1/2 in. threaded plug	9.71	11.67
NOT SHOWN					
		R172082	Flow rate indicator	CALL	CALL



AUTOMATIC FEEDER - MODEL 300, 302, 300-19, 300-29

REPLACEMENT PARTS



Item	Qty.	Part No.	Description	US List	Can. List
Order No.:		R171016		R171026	
Model No.:		300		302	
Description:		AUTOMATIC FEEDER		SPA HOT TUB FEEDER	

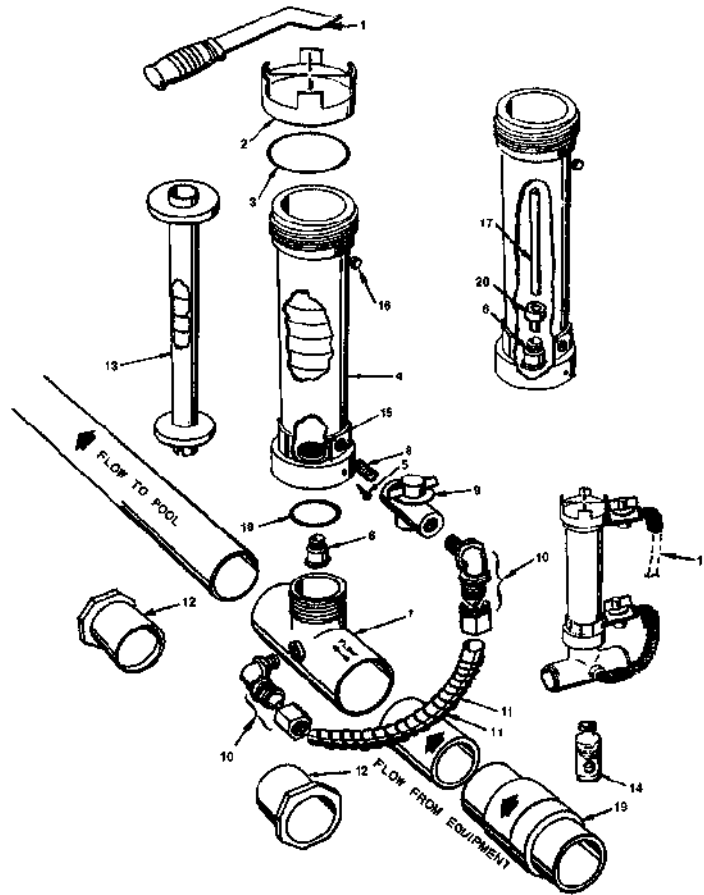
Item	Qty.	Part No.	Description	US List	Can. List
1	1	R172008W	3 in. threaded cap, white	27.58	33.14
2	1	R172009Z	O-ring, cap	10.71	12.87
3	Opt.	R172020	Check valve Old Style	7.27	8.74
5	1	R172023Z	3/8 in. o.d. x 1/4 in. i.d. tubing, 8 ft.	14.61	17.56
9	2	R172032Z	Tube fitting with compression nut	9.07	10.90
10	2	R172033Z	Gasket	3.90	4.69
11	2	R172034Z	Saddle clamp	9.07	10.90
14	1	R172037	Spa chamber #302 only	25.32	30.42
17	Opt.	R172052	Cap wrench	46.31	55.65
18	1	R172060Z	Control valve 1/4 in. NPT x tube with compression nut	37.70	45.30
19	1	R172036Z	Silicone lubricant, 3/4 oz.	14.99	18.01
20	1	R172061Z	Combination check valve / elbow	9.32	11.20
21	Opt.	R172080Z	Flow indicator w/check valve	48.96	58.83
23	Opt.	R172288	1-1/2 in.-2 in. Corrosion resistant check valve	62.15	74.68
24	Opt.	R172323	1/4 in. Corrosion resistant check valve	28.46	34.20
25		R172061ZB	Standpipe adapter, Bromine	CALL	CALL
26		R18761	6 in. Standpipe 3/8 in. o.d. x 1/4 in. i.d.	1.62	1.95
27	1	R18706Z	Compression nut only	4.53	5.44

Order No.: R172064
 Parts bag for 300, 302, 300-19 & 300-29

9	2	R172032Z	Tube fitting with compression nut	9.07	10.90
10	2	R172033Z	Gasket	3.90	4.69
11	2	R172034Z	Saddle clamp	9.07	10.90
18	1	R172060Z	Control valve 1/4 in. NPT x tube with compression nut	37.70	45.30
19	1	R172036Z	Silicone lubricant	14.99	18.01
20	1	R172061Z	Combination check valve / elbow	9.32	11.20

AUTOMATIC FEEDER - MODEL 320

REPLACEMENT PARTS



Item	Qty.	Part No.	Description	US List	Can. List
Order No.: R171096					
Model No.: 320					
Description: IN-LINE AUTOMATIC FEEDER					
1	Opt.	R172052	Cap wrench	46.31	55.65
2	1	R172008W	3 in. threaded cap - white	27.58	33.14
3	1	R172009Z	O-ring, cap	10.71	12.87
4	1	R172321	#320 Body only (new style)	83.00	99.73
5	1	R01052	Lock screw	2.24	2.69
6	1	R172248Z	Check valve	15.88	19.08
7	1	R172317	Diverter tee 1-1/2 NPT x 2 in. slip	41.08	49.36
8	1	R172256Z	1/2 in. x Short MPT nipple	8.82	10.60
9	1	R172086Z	1/2 in. Control valve	79.55	95.59
10	2	R172272Z	1/2 in. NPT x tube 90° ELL w/nut	11.33	13.61
10	Opt.	R172274Z	Compression nut only (for R172272Z)	4.15	4.99

Item	Qty.	Part No.	Description	US List	Can. List
11	1	R172091	5/8 in. o.d. Short feeder tube	8.54	10.26
11	Opt.	R171097Z	Tube support spring	8.82	10.60
12	2	R172210	2 in. x 1-1/2 in. S x S bushing for 1-1/2 in. PVC only ¹	8.82	10.60
13	Opt.	R172037	Spa chamber	25.32	30.42
14	1	R172036Z	Silicone lubricant, 3/4 oz.	14.99	18.01
15	1	210396Z	Screen	4.86	5.84
16	1	R172134	1/2 in. NPT PVC plug	9.71	11.67
17	1	R172253Z	5/8 in. o.d. 18 in. tube (optional top feed)	8.80	10.57
18	1	R172319Z	Bottom O-ring	2.24	2.69
19	Opt.	R172288	1-1/2 in. Corrosion resistant check valve	62.15	74.68
20	1	R172048B	Standpipe adapter, Bromine	2.30	2.76

¹ Not used with 2 in. PVC.

Pentair Filters

Sand Filters

Triton II Fiberglass Sand Filter

Side-Mounted, w/o valve

- Maximum operating pressure 50 PSI
- NSF listed



Part Number	Description	Tank Diameter	Sand (lbs)	Dealer Price	List Price
PEN140236	FLT TR40 NO VLV SND ALMD	19"	175	\$691.24	\$1,063.45
PEN140264	FLT TR60 NO VLV SND ALMD	24"	325	\$1,066.64	\$1,640.98
PEN140210	FLT TR100 ALMD W/O VLV	30"	600	\$1,359.48	\$2,091.51
PEN140243	FLT TR140 NO VLV SND ALM	36"	925	\$1,935.38	\$2,977.51

Triton C High Capacity Fiberglass Sand Filter w/o Valve

- Maximum operating pressure 50 PSI
- Full 2" drain
- 3" flange connections
- NSF listed

Part Number	Description	Tank Diameter	Sand (lbs)	Dealer Price	List Price
PEN140315	FLT TR100C WO VLV ALMD	30"	600	\$1,445.77	\$2,224.26
PEN140316	FLT TR140C WO VLV ALMD	36"	925	\$2,087.48	\$3,211.51
PEN140342	FLT TR140C3 COMM BLK	36"	925	\$2,505.47	\$3,854.57

Valve Kits for Triton Filters

Part Number	Description	Dealer Price	List Price
PEN263064	VLV PSHPLL 7.5"CNTR PVC ALMND	\$129.81	\$199.71
PEN261173	VLV 1.5" MPT SD SMT PH USE ONLY ON SAND FLT	\$177.25	\$272.69
PEN261050	VLV HIFLO 2"SAND	\$231.43	\$356.04
PEN261055	VLV MPT 2"SAND PRAHER	\$265.92	\$409.10

Tagelus Deluxe Fiberglass Sand Filter

Top-Mounted MPV, w/ Clamp

- Maximum operating pressure 50 PSI
- NSF listed



Part Number	Description	Tank Diameter	Sand (lbs)	Dealer Price	List Price
PEN144126	FLT TA40D 6WAY VLV ALMD	19"	175	\$619.51	\$953.10
PEN145241	FLT TA60D W/6WAY VLV ALM	24"	325	\$737.26	\$1,134.25
PEN145240	FLT TA100D W/2"VLV ALMD	30"	600	\$1,255.71	\$1,931.86
PEN145385	FLT TA 60D W/ 2" VLV ALMD	24"	325	\$745.99	\$1,147.68

Pentair Filters

Sand Filters (continued)

Sand Dollar Top Mount Filter Thermoplastic Tank w/ Clamp Style Multiport Valve

- Maximum operating pressure 35 PSI
- NSF listed



Part Number	Description	Tank Diameter	Sand (lbs)	Dealer Price	List Price
PEN145320	FLT SD40 1.5" MPT VLV BLMOLD 19 ALMD	35"	150	\$493.38	\$759.05
PEN145322	FLT ASY SD60 ALMOND	40"	250	\$556.44	\$856.06
PEN145333	FLT SD80 MPT VLV 1.5"	50"	350	\$619.66	\$953.33
PEN145386	FLT SD80 W/2"HYBRID VLV	50"	350	\$618.45	\$951.46
PEN145388	FLT SD80 CLEARPRO W/2" HYBRID VLV	50"	350	\$742.43	\$1,142.20

Cartridge Filters

Clean & Clear Cartridge Filter

Fiberglass reinforced polypropylene tank

- 1" drain and wash out
- High flow manual air relief
- NSF listed



Part Number	Description	Sq. Ft.	Dealer Price	List Price
PEN160315	FLT CNC 75SF ALMD	75	\$491.08	\$755.50
PEN160316	FLT CNC 100SF ALMD	100	\$661.19	\$1,017.22
PEN160317	FLT CNC 150SF ALMD	150	\$823.66	\$1,267.16
PEN160318	FLT CNC 200SF ALMD	200	\$964.54	\$1,483.91

Clean & Clear Plus Cartridge Filter

Fiberglass reinforced polypropylene tank

- 1 1/2" drain and wash out
- High flow internal air relief
- NSF listed



Part Number	Description	Sq. Ft.	Dealer Price	List Price
PEN160310	FLT CNC PLS 240	240	\$1,066.89	\$1,641.37
PEN160340	FLT CNC PLS 320	320	\$1,313.34	\$2,020.53
PEN160301	FLT CNC PLS 420	420	\$1,462.60	\$2,250.16
PEN160332	FLT CNC PLS 520	520	\$1,810.59	\$2,785.53

Pentair Filters

System 3 Filters

Sta-Rite System 3 Filter Two piece dura-glas tank housing

- 2" dual drain plugs
- NSF listed

Part Number	Description	Sq. Ft.	Dealer Price	List Price
PENS7M120	FLT MOD MEDIA 300SQFT	300	\$1,435.38	\$2,208.28
PENS8M150	SYS3 MOD MEDIA FLT 450SQFT	450	\$1,883.01	\$2,896.94

Aboveground Filter Systems

Sand Dollar Sand Filter System w/ Dynamo Pump



Part Number	Description	Tank Diameter	Sand (lbs)	Dealer Price	List Price
PENPNSD00400E1162	SYS SD40 1HP 1SP 3'STD W/6'HK	19"	150	\$723.74	\$1,113.45

Clean & Clear Filter System w/ Optiflo Pump



Part Number	Description	Tank Diameter	Dealer Price	List Price
PENPNCC01000E1162	SYS CC100 OPTI 1HP 1SP 3' STD W/6' HK	15.5"	\$783.96	\$1,206.10

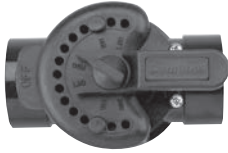
Filter Media

Part Number	Description	Weight (lbs)	Dealer
BRICGMEDBL40	Briteline Glass Media 40#	40	\$12.50

Filters - Specialty Valves

Pentair

Pentair Diverter Valves 2-Way and 3-Way



Part Number	Description	Dealer Price	List Price
PEN263028	VLV 3-WAY 2" PVC PACFAB	\$50.92	\$78.34
PEN263029	VLV 2-WAY 2" PVC PACFAB	\$43.22	\$66.49
PEN263037	VLV 3-WAY 1-1/2" PVC PACFAB	\$42.76	\$65.78
PEN263038	VLV 2-WAY 1-1/2" PVC PACFAB	\$34.97	\$53.80
PEN263042	VLV CHK 2-WAY 2" CPVC STRT	\$65.27	\$100.42
PEN263043	VLV ACTUATOR 90	\$249.95	\$384.54
PEN263045	VLV ACTUATOR 180	\$243.69	\$374.90

D.E. and Sand Filter Valves



Part Number	Description	Dealer Price	List Price
PEN261050	VLV HIFLO 2" SAND	\$231.43	\$356.04
PEN261055	VLV MPT 2" SAND PRAHER	\$265.92	\$409.10
PEN261142	VLV 2" HIFLO DE	\$231.43	\$356.04
PEN261152	VLV 2" MPT DE PH	\$265.92	\$409.10
PEN261173	VLV 1.5" MPT SD SMT PH USE ONLY ON SAND FLT	\$172.09	\$264.75
PEN261177	VLV MPT W/45'S 1.5 DE PH	\$177.25	\$272.69
PEN262506	VLV 1.5" HIFLO TM 6POS	\$172.87	\$265.95
PEN263064	VLV PSHPLL 7.5" CNTR PVC ALMND	\$129.81	\$199.71

Spears

Spears PVC Ball & Gate Valves

- 1200 PSI max internal pressure
- Buna-N

*Albany Only

Part Number	Description	Dealer Price	List Price
SPE2011-015	1-1/2 PVC GATE VALVE THD BUNA	\$101.47	\$156.11
SPE2011-020	2 PVC GATE VALVE THD BUNA	\$70.88	\$109.04

Spears PVC & CPVC Utility Ball Valves

- PSI
- EPDM o-ring seal

Part Number	Description	Pack Size	Dealer Price	List Price
SPE2622-007	3/4 PVC UTILITY BALL VALVE SOC EPDM	25/cs	\$18.26	\$28.09
SPE2622-010	1 PVC UTILITY BALL VALVE SOC EPDM	25/cs	\$24.82	\$38.18
SPE2622-015	1-1/2 PVC UTILITY BALL VALVE SOC EPDM	20/cs	\$50.14	\$77.13
SPE2622-020	2 PVC UTILITY BALL VALVE SOC EPDM	10/cs	\$63.37	\$97.49



Gate Valve



Utility Ball Valve

Filters - Specialty Valves (Continued)

Praher



Praher PVC True Union Single Ball & Knife Gate Valves

- PVC white
- EPDM o-ring seal
- 150 PSI

Part Number	Description	Dealer Price	List Price
PRA150-010	S.U. BL. B.V. SKT/SKT	\$17.53	\$26.98
PRA150-011	S.U. BL. B.V. SKT/FIP	\$21.18	\$32.59
PRA150-015	S.U. BL. B.V. MIP/FIP	\$17.53	\$26.98
PRA150-GMFT	MIP X FIP (WHITE)	\$12.32	\$18.95
PRA150-HBMT	1 1/2" HOSE X MIP	\$12.32	\$18.95
PRA200-010	S.U. BL. B.V. SKT/SKT	\$24.34	\$37.45

Praher Economy True Union Ball Valve S6 Series

- PVC grey
- EPDM o-ring seal
- 232 PSI

Part Number	Description	Dealer Price	List Price
PRABV6-1501PES	TRUE UNION BALL VALVES S6 SERIES 1 1/2"	\$28.07	\$43.18
PRABV6-2001PES	TRUE UNION BALL VALVES S6 SERIES 2"	\$35.76	\$55.02
PRABV6-3001PES	TRUE UNION BALL VALVES S6 SERIES 3"	\$225.89	\$347.52
PRABV6-4001PES	TRUE UNION BALL VALVES S6 SERIES 4"	\$416.39	\$640.59

Praher Perma-Seal 3 Port Diverter Valves

- CPVC black
- EPDM o-ring seal
- 50 PSI

Part Number	Description	Dealer Price	List Price
PRAOV3-1500U	3 PORT VALVE - 1.5" UNIONIZED	\$48.19	\$74.14
PRAOV3-2010U	3 PORT VALVE - 2" UNIONIZED	\$54.47	\$83.81
PRAOV3-15SSMU	3 PORT UNIONIZED, 2X SOCKET, 1X MIP THREAD	\$52.38	\$80.58



Single Union (150-015)



True Union S6 Series

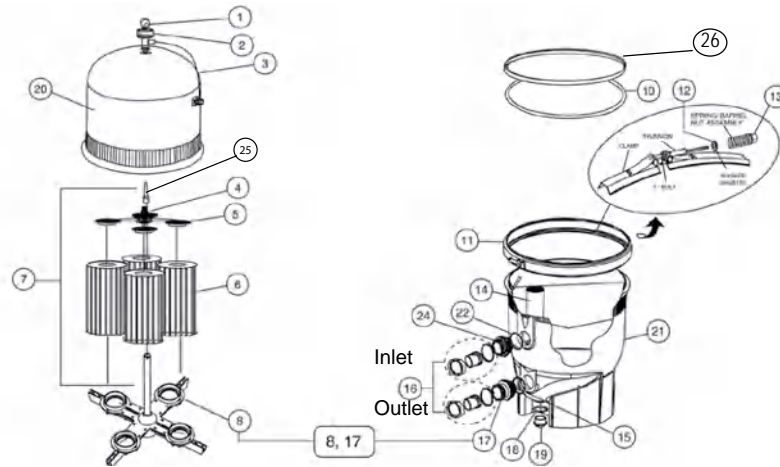


3 Port Valve

We carry various sizes of Praher O-Rings.
Call for availability

CLEAN & CLEAR® PLUS FILTERS

REPLACEMENT PARTS FOR FIBERGLASS REINFORCED POLYPROPYLENE TANK



Item	Part No.	Description	US List	Can. List
CLEAN & CLEAR PLUS FILTERS				
1	190058Z	Gauge, pressure, 1/4 in.	13.45	16.16
2	98209800	High Flow manual air relief valve, HFMARV	52.99	63.67
4	178616	Spring, compression ²	9.97	11.98
5	170026	Manifold, top assembly, 240 sq. ft. ²	122.45	147.14
5	170027	Manifold, top assembly, 320, 420 & 520 sq. ft. ²	115.56	138.86
6	R173572	Cartridge element, 240 sq. ft., 4 req.	157.24	188.94
6	R173573	Cartridge element, 320 sq. ft., 4 req.	201.08	241.62
6	R173576	Cartridge, 420 sq. ft., 4 req. ²	246.69	296.42
6	R173578	Cartridge, 520 sq. ft., 4 req. ²	282.75	339.75
6	179133	CNC Plus 240 Cartridge (4/pk)	341.26	410.06
6	179134	CNC Plus 320 Cartridge (4/pk)	436.04	523.95
6	179135	CNC Plus 420 Cartridge (4/pk)	492.94	592.32
6	179136	CNC Plus 520 Cartridge (4/pk)	625.64	751.77
7	170030	Air bleed tube assembly, 240 sq. ft.	70.04	84.16
7	55028500	Air bleed tube assembly, 360, 420 sq. ft. ¹	CALL	CALL
7	170029	Air bleed tube assembly, 320 sq. ft. ²	71.04	85.36
7	170028	Air bleed tube assembly, 420 sq. ft. ²	72.21	86.77
7	55028400	Air bleed tube assembly, 500 sq. ft. ¹	CALL	CALL
7	178583	Air bleed tube assembly, 520 sq. ft. ²	70.04	84.16
8	170035	Manifold, bottom/pipe assembly, outlet ³	330.26	396.84
8	170040	Manifold, bottom ⁴	92.00	110.55
10	39010200Z	O-ring, clamp	86.28	103.67
11	190003	Clamp kit, tension control	493.21	592.64
12	53006300Z	Washer, .325 i.d. for filter clamp	6.86	8.24
12	195610	Washer, sm. i.d.	10.43	12.53
13	53108900Z	Spring/barrel nut assembly	73.69	88.55
14	190039	Baffle, bulkhead assembly ²	150.71	181.09
15	86006900Z	O-ring, bulkhead, lower	CALL	CALL
16	98960311	Bulkhead union, set ¹	98.83	118.75
16	271096	Bulkhead adapter kit, 2 in. O.D. white	94.27	113.27
16	270004	Bulkhead adapter kit, 2 in. O.D. black	99.60	119.68

Item	Part No.	Description	US List	Can. List
16	270100	Bulkhead union kit, 2 in. I.D. Black	103.26	124.08
16	274426	Bulkhead adapter kit, 2-1/2 in. x 2 in. I.D. White	CALL	CALL
17	170035	Pipe assembly, outlet/manifold, bottom (includes bulkhead 178575 and O-rings 86006900Z & 3544571) ²	330.26	396.84
18	86300500	Drain cap gasket ¹	7.83	9.41
18	51005000Z	O-ring for drain plug ²	CALL	CALL
18	191474Z	O-ring for drain plug ⁸	CALL	CALL
19	51516200	Drain cap ¹	38.00	45.66
19	86202000	Plug, 1-1/2 in. drain with O-ring ²	29.44	35.38
19	190030Z	Cap plug ⁸	46.11	55.41
20	170023	Tank, lid assembly, 240 sq. ft.	368.86	443.22
20	170024	Tank, lid assembly, 320 sq. ft.	449.19	539.75
20	178581	Tank, lid assembly, 420 sq. ft. ²	513.36	616.85
20	178550	Tank, lid assembly, 500 sq. ft. ¹	CALL	CALL
20	178582	Tank, lid assembly, 520 sq. ft. ²	604.77	726.69
21	178578	Tank, bottom assembly ²	835.41	1003.83
22	192320	O-ring, bulkhead, upper ²	5.85	7.03
22	86006900Z	O-ring, bulkhead, upper & lower ^{1,7}	CALL	CALL
23	195339	SS back-up ring ⁵	112.18	134.80
24	194801	Bulkhead, 2-3/8, 8 buttress thread ²	CALL	CALL
25	190106Z	Air Screen	41.31	49.64
26	195339	RNG Backup Ring SS	112.18	134.80

NOT SHOWN				
	192019	Drain plug wrench	76.83	92.32
	178708	Parts Bag - includes warranty card, instructions, and items 1, 2, and 16.	150.54	180.89

¹ Used on filters manufactured before 11/98.

² Used on filters manufactured after 11/98.

³ Used on filters manufactured between 11/98 thru 12/00.

⁴ Used on filters manufactured after 12/00.

⁵ Used on filters manufactured after 3/03.

⁶ Used on filters manufactured between 3/03, thru 7/1/03.

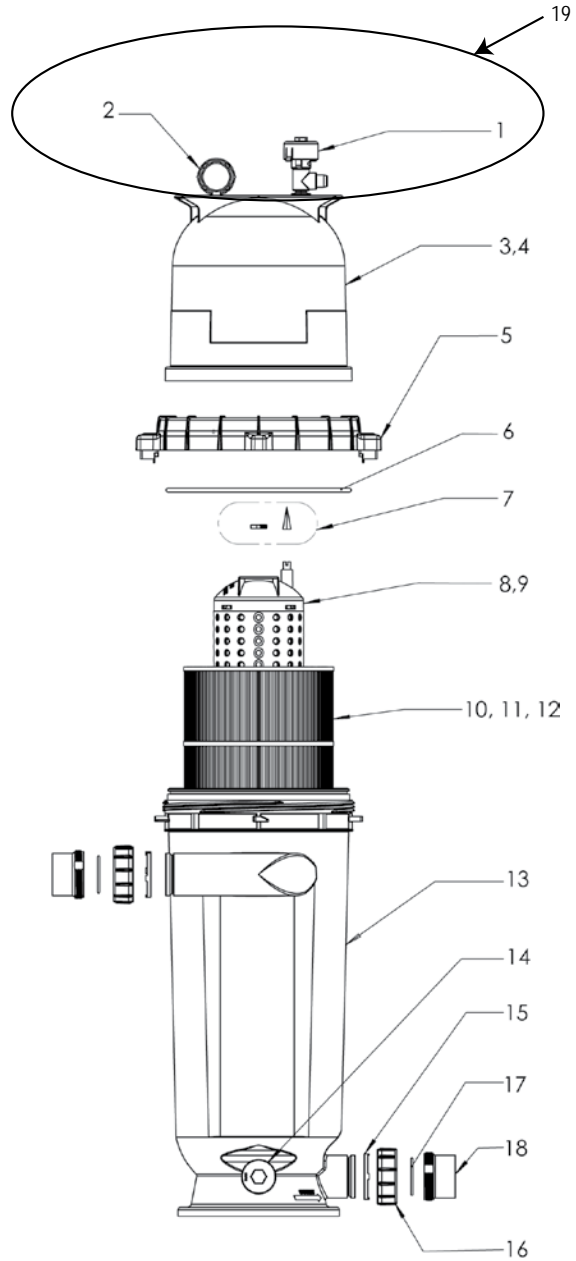
⁷ Used on filters manufactured after 10/04.

⁸ Used on filters manufactured after 5/21/05.

CLEAN & CLEAR® RP FILTERS

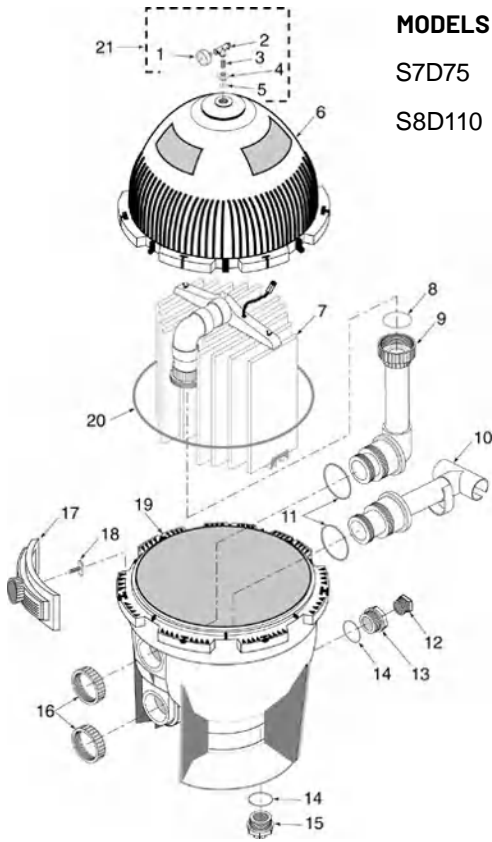
REPLACEMENT PARTS FOR FIBERGLASS REINFORCED POLYPROPYLENE TANK

Item	Part No.	Description	US List	Can. List
CLEAN & CLEAR RP FILTERS				
1	98209800	High flow manual air relief valve	52.99	63.67
2	190058Z	Pressure gauge	13.45	16.16
3	178548Z	Lid, 100 sq. ft. filter	230.57	277.05
4	178546Z	Lid, 150, 200 sq. ft. filter	230.57	277.05
5	59052900Z	Locking ring assembly	CALL	CALL
6	87300400Z	Body O-ring	14.97	17.99
7	59016200	Air bleed sock kit	20.31	24.40
8	59053700	Center core, 100 sq. ft. filter	211.37	253.98
9	59053800	Center core, 150, 200 sq. ft. filter	323.92	389.22
10	R173215	Cartridge element, 100 sq. ft. filter	223.63	268.71
11	R173216	Cartridge element, 150 sq. ft. filter	294.64	354.04
12	R173217	Cartridge element, 200 sq. ft. filter	367.74	441.88
13	178731Z	Tank bottom	535.93	643.97
14	154712Z	Drain cap assembly	46.09	55.38
14	191474Z	O-ring	CALL	CALL
14	190030Z	Drain Cap Plug	46.11	55.41
15	178732Z	Union nut "C" clip	11.88	14.28
16	U11-200PSZ	Union nut	16.77	20.15
17	178746Z	Union diamond seal	6.42	7.71
18	178733Z	Union, threaded half	68.08	81.80
19	170096	Air relief kit	140.64	168.99
NOT SHOWN				
	154715Z	Drain cap gasket	CALL	CALL



SYSTEM:3® D.E. FILTERS

SD SERIES REPLACEMENT PARTS



MODELS

S7D75

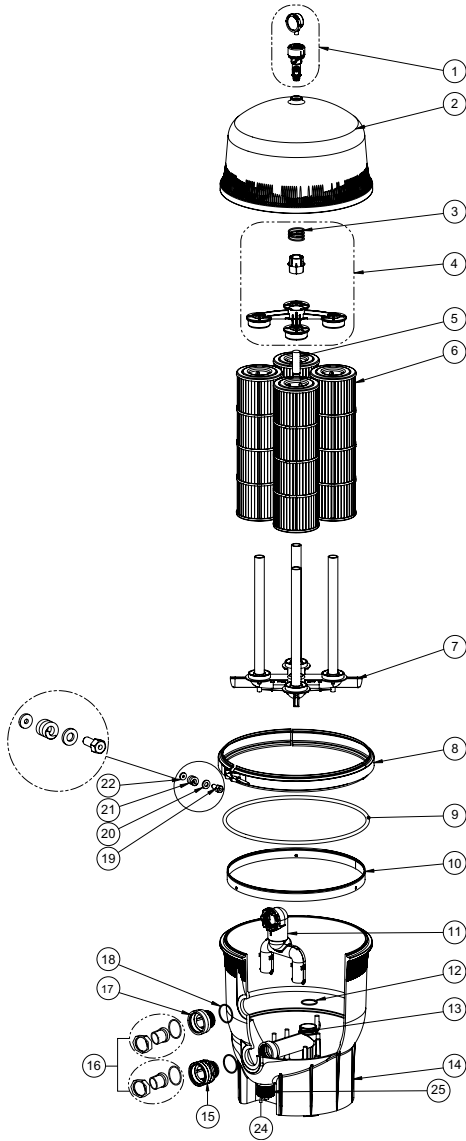
S8D110

Item	Part No.	Description	US List	Can. List
SYSTEM:3 D.E. FILTERS				
1	33600-0023T	2 in. Gauge	69.39	83.38
2	154689Z	Air Release Valve	44.04	52.92
3	35202-0959	Nipple	20.35	24.45
4	24900-0504	Adapter Bushing	27.10	32.56
5	35505-1423	O-Ring	2.91	3.50
6	24851-9000	Upper Tank Shell Kit, S7D75	1452.68	1745.54
6	24851-9001	Upper Tank Shell Kit, S8D110	1786.83	2147.05
7	23900-1220S	Filter Assembly, S7D75	1756.78	2110.95
7	23900-1221S	Filter Assembly, S8D110	2270.53	2728.27
8	U9-362Z	O-Ring	CALL	CALL
9	23911-0102	Outlet Assembly	203.22	244.19
10	23911-0100	Inlet Assembly, S7D75	149.60	179.76
10	23911-0101	Inlet Assembly, S8D110	151.72	182.31
11	35505-1425	O-Ring	22.43	26.95
12	27001-0022	1-1/2 in. NPT Plug	4.28	5.14
13	24900-0509	Adapter Fitting	41.68	50.08
14	35505-1424	O-Ring	13.45	16.16
15	24900-0503	Drain Plug	41.47	49.83
16	24752-0050	Bulkhead Retaining Nut	35.82	43.04
17	24850-0200	Clamp Assembly ¹	189.65	227.88
18	24850-0010	Clamp Bolt ¹	45.92	55.18
19	24850-0102S	Lower Tank Shell, S7D75	1622.19	1949.22
19	24851-0103S	Lower Tank Shell, S8D110	1832.86	2202.36
20	24850-0008Z	Cord Ring, S7D75	CALL	CALL
20	24850-0009	Cord Ring, S8D110	106.39	127.84
21	24850-0105	Valve & Gauge Assembly (Includes #8, 9, 11, 16)	145.19	174.46
NOT SHOWN				
	24850-0016	Clamp Retaining Ring	9.76	11.73
	25021-1021	System3 DE Conversion Kit (Includes #8, 9, 10, 11, 16) - S7D75 - should also purchase item #7 separately.	497.69	598.02
	25021-1025	System3 DE Conversion Kit (Includes #8, 9, 10, 11, 16) - S8D110 - should also purchase item #7 separately.	497.69	598.02

¹ Model S7D75 uses seven (7) clamps and bolts; Model S8D110 uses eight (8).

QUAD D.E.® FILTERS

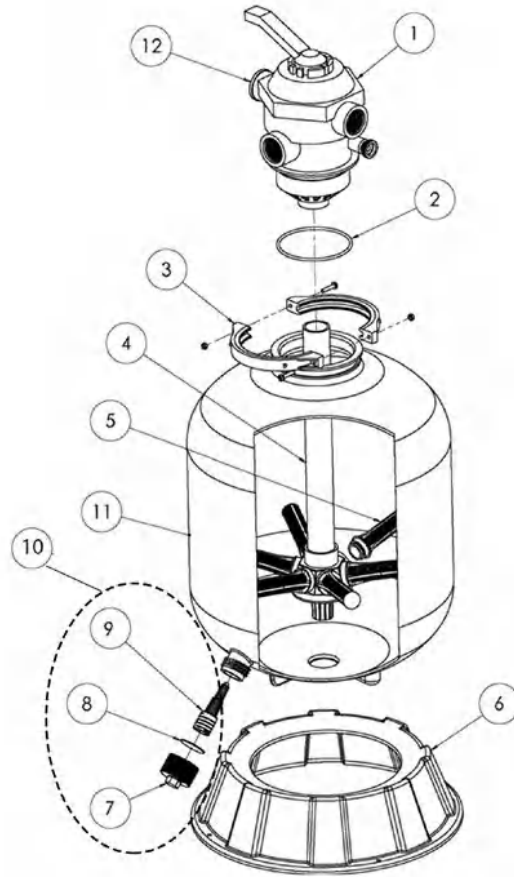
REPLACEMENT PARTS



Item	Part No.	Description	US List	Can. List
QUAD D.E. FILTERS				
1	98209800	Assy. Manual air relief valve	52.99	63.67
2	170024	Lid, Quad 60	449.19	539.75
2	178581	Lid, Quad 80	513.36	616.85
2	178582	Lid, Quad 100	604.77	726.69
3	178616	Spring compression	9.97	11.98
4	170026	Manifold top assembly	122.45	147.14
5	170029	Air bleeder assy., Quad 60	71.04	85.36
5	170028	Air bleeder assy., Quad 80	72.21	86.77
5	178583	Air bleeder assy., Quad 100	70.04	84.16
6	178656	Cartridge, Quad 100 *	CALL	CALL
6	178655	Cartridge, Quad 80 *	CALL	CALL
6	178654	Cartridge, Quad 60 *	CALL	CALL
7	170059	Manifold assy. Bottom	255.60	307.13
8	190003	Kit Clamp Band	493.21	592.64
9	39010200Z	O-ring RPM tank clamp	86.28	103.67
10	195339	Ring back-up - FNS Pls	112.18	134.80
11	196024S	Divertor Assembly, Retro Kit	150.68	181.06
12	354571Z	O-ring	CALL	CALL
13	170036	Pipe outlet - RPM fltr	144.64	173.80
14	195999	Bottom tank w/ drain plug 7-1/2 in.	870.95	1046.53
15	178575	Bulkhead bottom	CALL	CALL
16	178711	Parts Bag - includes warranty card, instruction Book, Adapter Kit (270100) and Pressure Gauge (190058Z)	153.18	184.06
17	194801	Bulkhead - 2-3/8-8 butt	CALL	CALL
18	86006900Z	O-ring 2-329 bulkhead RPM	CALL	CALL
19	194997	Nut - Spl	CALL	CALL
20	195611	Washer - lg id	11.22	13.48
21	195612	Spring	36.88	44.32
22	195610	Washer - sm id	10.43	12.53
24	191474Z	O-ring for Drain Plug	CALL	CALL
25	190030Z	Cap Drain	46.11	55.41
NOT SHOWN				
*	190106Z	Repl. Screen Cap for Air Bleeder Assy.	41.31	49.64
	274426	Adapter Kit - 2-1/2 in. x 2 in.	CALL	CALL

SAND DOLLAR® FILTERS

REPLACEMENT PARTS FOR BLOW MOLDED FILTERS



Item	Part No.	Description	US List	Can. List
SAND DOLLAR SAND FILTERS				
1	262506	Valve 1-1/2 in. 6-way	CALL	CALL
1	263085	Valve 2 in.	CALL	CALL
1	262525	Valve 2 in. with unions	CALL	CALL
2	272541Z	O-ring valve body	CALL	CALL
3	152165	Assembly, plastic clamp 2 piece	37.82	45.44
4	155504	Piping assembly SD35, dim D = 16 in.	75.58	90.82
4	152229	Pipe assembly SD35 ²	187.73	225.58
4	155062	Piping assembly SD40, dim D = 20-1/8 in.	73.22	87.98
4	152228	Pipe assembly SD40 ²	173.32	208.26
4	155532	Piping assembly SD60, dim D = 25-1/4 in.	183.05	219.95
4	152227	Pipe assembly SD60 ²	201.49	242.11
4	152000	Pipe assembly, SD70	200.49	240.91
4	152226	Pipe assembly SD80	157.96	189.80
4	152238	Pipe assembly SD80 2 in.	168.91	202.96

SAND DOLLAR® FILTERS

REPLACEMENT PARTS FOR BLOW MOLDED FILTERS

Item	Part No.	Description	US List	Can. List
SAND DOLLAR SAND FILTERS				
5	155007	Lateral 5, 11/32 in. long, almond, SD35, 8 req.	11.05	13.28
5	152290Z	Lateral 6, 11/16 in. long, almond, SD40/SD60, 8 req.	11.59	13.93
5	150084	Lateral, SD35, SD40, black ²	10.42	12.52
5	150085	Lateral XLong, SD60, SD70, SD80, black ²	13.10	15.74
5	150088	Lateral, ClearPro 6 req	163.87	196.91
6	154926	Foot, SD35	151.21	181.69
6	154520	Foot, SD40, SD60, SD70, & SD80 ¹	155.86	187.28
7	154712Z	Drain Cap	46.09	55.38
8	154715Z	Gasket	CALL	CALL
9	154711Z	Drain	25.57	30.72
10	150055	Complete Drain Assembly	78.31	94.10
11	145339	Tank with drain SD35, almond	432.02	519.12
11	145341	Tank with drain SD40, almond	573.17	688.72
11	145343	Tank with drain SD60, almond	793.55	953.53
11	145368	Tank with drain SD70, almond	920.64	1106.24
11	145334	Tank with drain SD80, almond	1127.78	1355.14
12	190059Z	Gauge, pressure	66.35	79.73
NOT SHOWN				
	272569	Kit Union for 2 in. Valve	CALL	CALL
	150119	Kit Union for 1-1/2 in. Valve	115.21	138.44

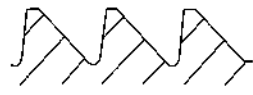
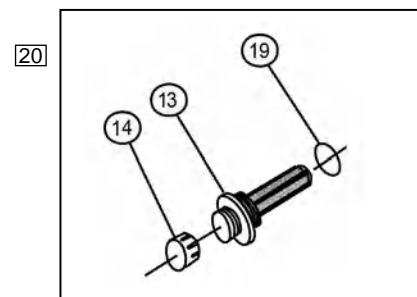
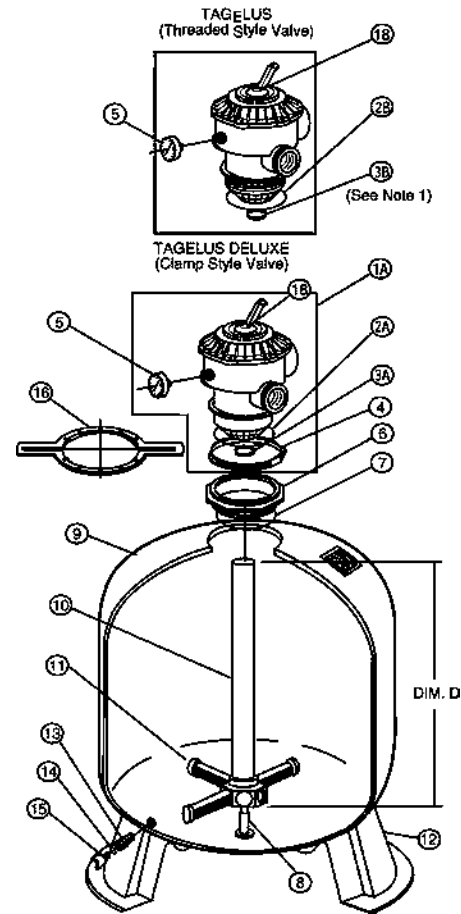
¹ Used on filters manufactured before 2/02.

² Filters manufactured after 10/04.

TAGELUS® FILTERS

REPLACEMENT PARTS FOR FIBERGLASS FILTERS

Item	Part No.	Description	US List	Can. List
TAGELUS FILTERS WITH THD. & CLAMP VALVES				
1A	262506	Valve, 1-1/2 in. 6-way clamp style ^{1, 4, 6, 8, 10}	CALL	CALL
1A	261185	Valve, 2 in. 6-way clamp style ^{11A, 11B}	CALL	CALL
1A	262525	Valve, 2 in. for TA60 with unions	CALL	CALL
1B	261124	Valve, 1-1/2 in. 6-way "V" thread -TA, ¹⁷	CALL	CALL
2A	272541Z	O-ring valve body, 3/16 in. x 4-3/4 in. i.d. ^{2, 4, 6, 8, 10}	CALL	CALL
2A	275333	O-ring valve body, 3/16 in. x 6-1/2 in. i.d. ^{11A, 11B}	10.50	12.62
2B	154493Z	O-ring valve body, .157 in. x 5.75 in. i.d. ^{1, 3, 5, 7, 9}	CALL	CALL
3A	355330Z	O-ring standup, 1/8 in. x 2-3/8 in. i.d. ^{11A, 11B}	CALL	CALL
3B	155064	O-ring standup, 1/8 in. x 1-7/8 in. i.d. ^{1, 3, 5, 7, 9, 12}	1.85	2.22
4	152165	Clamp, 6-1/2 in. dia. SS, plastic ^{2, 4, 6, 8, 10}	37.82	45.44
4	152130	Clamp, 8.35 in. dia. ^{11A, 11B}	160.36	192.69
4	152175	Plastic Clamp TA100	163.04	195.91
5	190059Z	Gauge back mount pressure	66.35	79.73
6	152520Z	Adapter, Quad Seal	166.33	199.86
6	155225	Adapter, 6 in. "V" thread ^{2, 6, 8, 10, 15, 19}	58.74	70.58
6	154521	Adapter, 8-1/2 in. btr. thread ^{11A, 11B}	104.42	125.47
7	152517	O-ring valve adptr., 1/8 in. x 6-1/4 in. i.d. ^{2, 4, 6, 8, 10}	6.64	7.98
7	355619Z	O-ring valve adptr., 3/16 in. x 7-3/4 in. i.d. ^{11A, 11B}	16.72	20.09
7	152516	Quad Seal	8.18	9.83
8	155002	Stabilizer, center pipe (TA100 Only)	31.15	37.43
9	155276	Tank & ft. assembly w/ valve adptr. ^{6, 13, 18, 19}	1620.97	1947.76
9	155269	Tank & ft. assembly w/ valve adptr. ^{10, 13, 18, 19}	1824.25	2192.02
9	155324	Tank & ft. assembly w/ valve adptr. ^{11A, 11B, 13, 18, 19}	2621.46	3149.95
9	155342	Tank & ft. assembly btr. thread style ^{5, 16, 17}	1574.72	1892.18
9	155358	Tank & ft. assembly btr. thread style ^{9, 16, 17}	1301.84	1564.29
10	155060	Piping assembly, (dim. D = 12-7/8 in.) ^{1, 2}	68.72	82.57
10	153455	Piping assembly, (dim. D = 14-7/8 in.) ^{3, 4}	72.21	86.77
10	155061	Piping assembly, (dim. D = 17-3/4 in.) ^{5, 6}	71.86	86.35
10	155062	Piping assembly, (dim. D = 19-7/8 in.) ^{7, 8}	73.22	87.98
10	155063	Piping assembly, (dim. D = 22-5/8 in.) ^{9, 10}	74.53	89.56
10	155340	Piping assembly, less hub, (dim. D = 27-1/4 in.) ^{11A, 11B}	69.44	83.44
10	155323	Piping assembly, w/ hub, (dim. D = 27-1/4 in.) ^{11A, 11B}	155.94	187.38
10	155299	Piping assembly, w/ hub, w/ 1/4 turn lateral ^{10, 20}	73.82	88.70
10	152237	Piping assembly, w/ hub, TA60 2 in.	163.52	196.49



Detail A., after 12/1/91
6 in. btr. Thread.



Detail B., before 12/1/91
6 in. "V" Thread.

TAGELUS® FILTERS (CONT'D)

REPLACEMENT PARTS FOR FIBERGLASS FILTERS

Item	Part No.	Description	US List	Can. List
TAGELUS FILTERS WITH THREAD & CLAMP VALVES				
11	155007	Lateral, 5-11/32 in. long, 8 req. ^{1, 2, 3, 4}	11.05	13.28
11	152290Z	Lateral, 6-11/16 in. long, 8 req. ^{5, 9, 6, 10}	11.59	13.93
11	152202Z	Lateral, 9-1/8 in. long ^{11A, 11B}	17.53	21.06
11	150085	Lateral, 1/4 turn, 6 req. ^{7, 8, 10, 20}	13.10	15.74
11	150088	Lateral, ClearPro - 6 req	163.87	196.91
12	154926	Foot tank ^{3, 5, 7, 9, 4, 6, 8, 10}	151.21	181.69
12	154596	Foot tank ^{11A, 14}	229.66	275.96
13	154698	Spigot, 3/4 in. NPT sand drain ^{2, 4, 6, 8, 10}	40.29	48.41
13	152220Z	Spigot, 2 in. NPT sand drain ^{11A} (Left-hand thread)	68.22	81.97
14	192115Z	O-ring drain plug, 1/16 in. x 1/2 in. i.d.	3.90	4.69
14	154871Z	2 in. drain cap (1-1/2 in. threads) ^{11A, 11B}	CALL	CALL
15	357161Z	Plug, 1/4 in. NPT drain	7.80	9.37
16	154512Z	Wrench, 6-1/2 in. across flats ^{2, 6, 8, 10}	CALL	CALL
16	151608	Wrench, 9 in. across flats ¹⁴	CALL	CALL
18	272599Z	Label top mount valve	CALL	CALL
19	274494Z	Sand drain O-ring TA100	6.22	7.47
20	152220Z	Drain assy for TA100/TR100/TR140	68.22	81.97
NOT SHOWN				
	154402	Tape ft. mounting, ¹⁻¹⁰	9.97	11.98
	154407	Tape ft. mounting, ^{11A, 11B}	13.67	16.43
	155051	Sand guide only ^{11A, 11B}	11.01	13.23
	150119	Union Kit 1-1/2 in. Valve	115.21	138.44
	272569	Union Kit 2 in. Valve for TA 60D 2" only	CALL	CALL

¹ TA 30

² TA 30D

³ TA 35

⁴ TA 35D

⁵ TA 40

⁶ TA 40D

⁷ TA 50

⁸ TA 50D

⁹ TA 60

¹⁰ TA 60D

^{11A}TA 100

^{11B}TA 100D

¹² Item 3A O-ring, standpipe is used on model TA100D Filters only. Item 3B O-ring, standpipe is used on Tagelus Filter models TA30, 40, 50, 60, manufactured before April, 1993. Item 3B is not used on Tagelus Clamp Filter models TA30D, 35D, 40D, 50D, 60D or on any Tagelus models manufactured after April, 1993.

¹³ Tagelus Clamp Filter models tank & ft. assembly have valve adptr., Item 6 factory installed.

¹⁴ Replacement of tank ft. requires the use of mounting tape. See part number listed.

¹⁵ Lubricate O-ring liberally w/ silicone lubricant and tighten to following spec: TA30D, 35D, 40D, 50D, 60D. Handtight plus 1/4 turn min. TA100 D Handtight plus 3/4 turn min.

¹⁶ Tagelus Filter models TA30, 35, 40, 50, 60 manufactured after Nov. 1, 1991 were manufactured w/a btr. thread top opening and utilize a btr. style valve which is black in color. A change was made to the port arrangement in April, 1993 which will require that minor changes be made to the valve plumbing connections when replacing valves on filters manufactured between Nov. 1991 and Mar. 1993. DO NOT ATTEMPT TO INTERCHANGE THREAD TYPES.

¹⁷ Tagelus Filter models TA30, 40, 50, 60 manufactured before Nov. 1, 1991 were manufactured w/a "V" thread style valve that is white or brown in color. These valves may be replaced only w/ "V" thread style valve P/N 261124, see Detail B. DO NOT ATTEMPT TO INTERCHANGE THREAD TYPES.

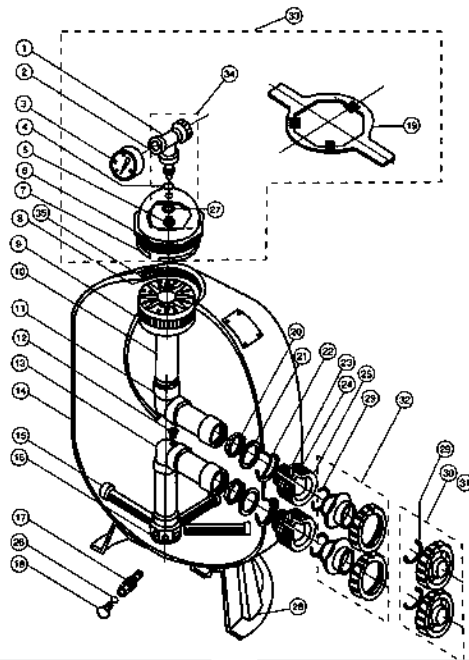
¹⁸ Tagelus Clamp Filter models TA30D, 35D, 40D, 50D, 60D manufactured after Nov. 1, 1991 were manufactured w/a btr. thread top opening and utilize a btr. thread valve adptr. P/N 154555, see Detail A. DO NOT ATTEMPT TO INTERCHANGE THREAD TYPES.

¹⁹ Tagelus Clamp Filter models TA30D, 40D, 50D, 60D manufactured before Nov. 1, 1991 were manufactured w/a "V" thread top opening and utilize a "V" thread valve adptr. P/N 155225, see Detail B. DO NOT ATTEMPT TO INTERCHANGE THREAD TYPES.

²⁰ TA60D Filters manufactured after June 1, 2007 have new 1/4 turn laterals.

TRITON® II FILTERS

REPLACEMENT PARTS FOR FIBERGLASS FILTERS

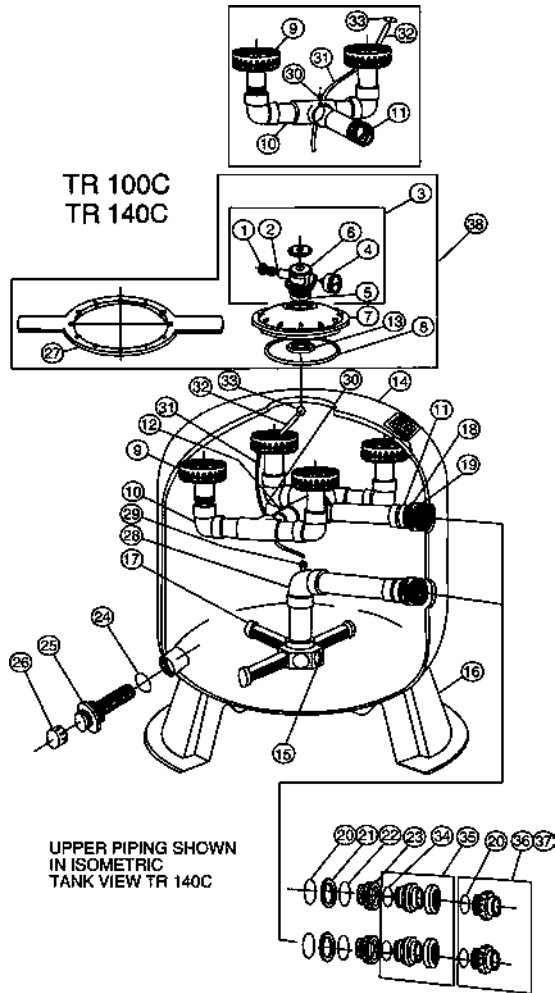


Item	Part No.	Description	US List	Can. List
TRITON II SAND FILTERS				
1	154689Z	Air bleeder/tee assembly ¹³	44.04	52.92
2	154700	Adapter, brass air bleeder ¹³	18.28	21.97
3	190059Z	Gauge, back mount pressure ¹³	66.35	79.73
4	154661	O-ring, air bleeder adapter ¹³	2.73	3.28
5	154664	Nut, 3/8 in., 16 SS ¹³	2.65	3.18
6	152519Z		166.33	199.86
6	154559	Closure 6 in. "V" thread, black, see Detail B ¹³	85.13	102.29
7	154493Z	O-ring closure, 6 in., white ¹³	CALL	CALL
7	152516	Quad Seal	8.18	9.83
8	154578Z	Strainer air relief, 1/4 in. ³	CALL	CALL
8	150035Z	Strainer air relief, 3/8 in. ⁴	CALL	CALL
9	154435	Tube air relief TR40 ³	25.43	30.56
9	150039	Tube air relief TR40 ⁴	29.90	35.93
9	154436	Tube air relief TR50/60 ³	25.43	30.56
9	150040	Tube air relief TR50/60 ⁴	29.90	35.93
9	154437	Tube air relief TR100 ³	27.69	33.27
9	150041	Tube air relief TR100 ⁴	23.55	28.30
9	154438	Tube air relief TR140 ³	35.81	43.03
9	150042	Tube air relief TR140 ⁴	21.92	26.34
10	154598	Diffuser assembly TR40/50	79.49	95.52
10	154599	Diffuser assembly TR60	79.49	95.52
10	154462	Diffuser assembly TR100	79.49	95.52
10	154906	Diffuser assembly TR140	81.83	98.33
11	154803	Piping assembly upper TR40	89.28	107.28

Item	Part No.	Description	US List	Can. List
11	156814	Piping assembly upper TR50	71.48	85.89
11	154533	Piping assembly upper TR60	68.96	82.86
11	154426	Piping assembly upper TR100	119.57	143.68
11	154500	Piping assembly upper TR140	75.42	90.62
12	154441	Connector air relief tube ³	CALL	CALL
12	150036	Connector air relief tube ⁴	2.36	2.84
13	154801	Piping assembly lower TR40	107.69	129.40
13	156816	Piping assembly lower TR50	85.43	102.65
13	154805	Piping assembly lower TR60	83.16	99.93
13	155284	Piping assembly lower TR60 ¹⁴	139.40	167.50
13	154807	Piping assembly lower TR/PF100	85.52	102.76
13	154489	Piping assembly lower TR140	88.15	105.92
14	154636	Tank & ft. assembly TR40, 6 in. btr. thd., Almond, Detail A	1545.93	1857.59
14	154638	Tank & ft. assembly TR60, 6 in. btr. thd., Almond, Detail A	1770.29	2127.18
14	154639	Tank & ft. assembly TR100, 8-1/2 in. btr. thd., Almond, Detail A	2472.23	2970.63
14	154640	Tank & ft. assembly TR140, 8-1/2 in. btr. thd., Almond, Detail A	3637.15	4370.40

TR100C™ & TR140C™ FILTERS

REPLACEMENT PARTS FOR COMMERCIAL FIBERGLASS FILTERS



Item	Part No.	Description	US List	Can. List
TR100C & TR140C SAND FILTERS				
14	153430	Tank & ft. assembly TR100C, 8-1/2 in. btr. thd., black	2495.70	2998.83
14	153431	Tank & ft. assembly TR140C, 8-1/2 in. btr. thd., black	3637.15	4370.40
15	154453	Hub lateral TR100C/TR140C	162.76	195.57
16	154596	Foot, 24 in. dia. TR100C/TR140C	229.66	275.96
17	152202Z	Lateral, 9-1/8 in. TR100C, 8 req.	17.53	21.06
17	154540Z	Lateral, 12 in. TR140C, 8 req.	31.78	38.19
18	154412Z	Locknut, 2 in. internal	CALL	CALL
19	154416	Spacer, 2 in. internal	22.11	26.57
20	154492Z	O-ring, 2 in. bulkhead	CALL	CALL
21	154408	Spacer, 2 in. external	CALL	CALL
22	154538Z	Gasket, 2 in. bulkhead	CALL	CALL
23	154405	Bulkhead, 2 in.	CALL	CALL
24	274494Z	O-ring, 3/16 in. x 2-5/8 in. L.H. Thread	6.22	7.47
25	152220Z	2 in. sand drain (Left-hand thread)	68.22	81.97
26	154871Z	Cap thd., 1-1/2 in.	CALL	CALL
27	154527Z	Wrench, 8-1/2 in. closure	CALL	CALL
28	154807	Piping assembly lower TR100C	85.52	102.76
28	154489	Piping assembly lower TR140C	88.15	105.92
29	150036	Connector air relief tube ³	2.36	2.84
30	273071	Screw, No.14 18-8 TR100C ¹	2.65	3.18
31	154437	Tube air relief TR100C ²	27.69	33.27
31	150041	Tube air relief TR100C ³	23.55	28.30
31	154438	Tube air relief TR140C ²	35.81	43.03
31	150042	Tube air relief TR140C ³	21.92	26.34
32	154507	Spacer air vent strainer TR100C 6-3/4 in.	13.27	15.95
32	154508	Spacer air vent strainer TR140C 10-5/16 in.	17.22	20.69
33	154578Z	Strainer air relief ²	CALL	CALL
33	150035Z	Strainer air relief ³	CALL	CALL
34	274494Z	O-ring valve adapter	6.22	7.47
35	271096	2 in. slip adaptor kit for inst. w/o valve (pair)	94.27	113.27
35	274426Z	Adapter Kit, 2-1/2 in. x 2 in.	75.26	90.43
36	271092	2 in. thd. adaptor kit for inst. w/o valve (pair)	94.27	113.27
37	271094	1-1/2 in. thd. adaptor kit for inst. w/o valve (pair)	94.27	113.27
38	154856	Kit closure 8-1/2 in. btr. thd. blk.	375.57	451.28

Item	Part No.	Description	US List	Can. List
TR100C & TR140C SAND FILTERS				
1	273512Z	Air bleeder w/ O-ring	CALL	CALL
2	273513Z	O-ring air bleeder screw	CALL	CALL
3	273564Z	Manual air relief body assembly	147.98	177.81
4	190059Z	Pressure gauge	66.35	79.73
5	274495	O-ring, 3/16 in. x 2-5/8 in. i.d.	2.18	2.62
6	273564Z	Valve body machined ARF	147.98	177.81
7	154575Z	Closure, 8-1/2 in. btr.	CALL	CALL
8	152509Z	Square ring 8-1/2 in.	11.33	13.61
9	154599	Diffuser Assembly	79.49	95.52
10	156355	Piping assembly upper TR100C, TR140C ¹	158.28	190.19
11	156344	Piping assembly upper inlet TR100C, TR140C	111.44	133.91
12	156354	Piping connecting assembly upper TR140C	125.70	151.04
13	154412Z	Nut, 2 in. internal	CALL	CALL

¹ Different quantities required for TR100C and TR140C Filters.

² Use on filters manufactured before 11-1-99.

³ Use on filters manufactured after 11-1-99.

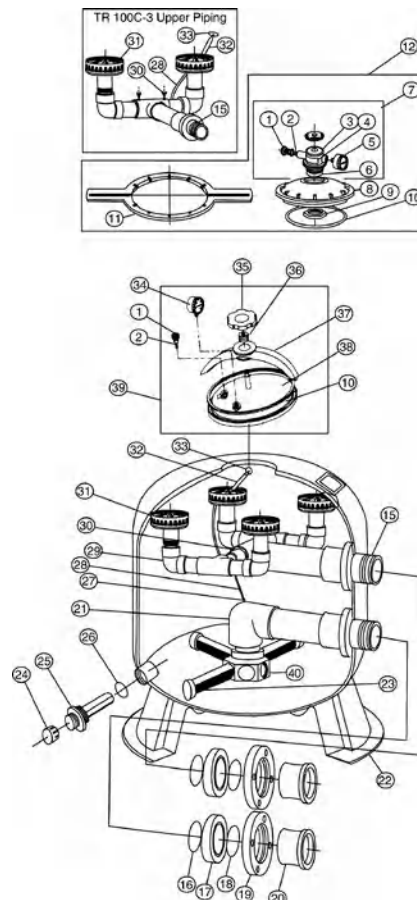
TRITON® C-3 FILTERS

REPLACEMENT PARTS FOR FIBERGLASS FILTERS

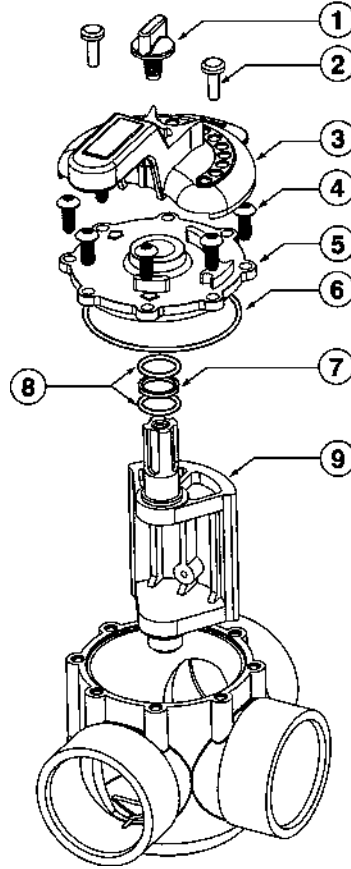
Item	Part No.	Description	US List	Can. List
TRITON C & C-3 SAND FILTERS				
1	273512Z	Air bleeder with O-ring ^{2,3}	CALL	CALL
2	273513Z	O-ring air bleeder screw ²	CALL	CALL
3	273564Z	Valve body machined ²	147.98	177.81
4	272546	Label warning manual air relief ²	CALL	CALL
5	190059Z	Pressure gauge ²	66.35	79.73
6	152517	O-ring adapter, 6 in. ²	6.64	7.98
7	273564Z	Manual air relief assembly ²	147.98	177.81
8	154575Z	Closure 8-1/2 in. ²	CALL	CALL
9	154412Z	Locknut, 2 in. internal	CALL	CALL
10	152509Z	Square ring-closure ^{2,3}	11.33	13.61
11	154527Z	Wrench, 8-1/2 in. closure ²	CALL	CALL
12	154856	Kit, 8-1/2 in. closure butt thread ⁶	375.57	451.28
12	156842	Closure kit C3 with bulkhead gaskets ⁶	411.09	493.97
15	154007	Upper piping assembly TR 100C-3	228.63	274.72
15	154008	Upper piping assembly TR 140C-3	232.63	279.53
16	154005	O-ring parker 2-343, 2 req.	CALL	CALL
17	154002	Spacer, 3 in., 2 req.	95.31	114.52
18	154004	O-ring parker 2-342, 2 req.	9.97	11.98
19	154003	Flange, 3 in., 2 req.	119.83	143.99
20	154001	Adapter flange, 3 in., 2 req.	98.53	118.39
21	154009	Lower piping assembly TR 100C-3 (Hub not included - see item 40)	233.50	280.57
21	154010	Lower piping assembly TR 140C-3 (Hub not included - see item 40)	230.31	276.74
22	154596	Foot, 24 dia. TR 100C-3/140C-3	229.66	275.96
23	152202Z	Lateral, 9 in. TR 100C-3, 8 req.	17.53	21.06
23	154540Z	Lateral, 12 in. TR 140C-3, 8 req.	31.78	38.19
24	154871Z	Cap thd., 1-1/2 in.	CALL	CALL
25	152220Z	Sand drain, 2 in. (Left-hand thread)	68.22	81.97
26	274494Z	O-ring, 3/16 in. x 2-5/8 in. i.d., 2 req.	6.22	7.47
27	154441	Connector air relief tube	CALL	CALL
28	154437	Tube air relief TR100C-3 (23 in.) ⁴	27.69	33.27
28	151114	Tube air relief TR100C-3 ⁵	26.66	32.03
28	154438	Tube air relief TR140C-3 (27 in.) ⁴	35.81	43.03
28	151115	Tube air relief TR140C3 ⁵	34.44	41.38
29	154018	Diffuser piping assembly TR 140C-3, 2 req	313.31	376.47
30	273071	Screw, No.10-1-1/2 in. flathead phillips, 2 req.	2.65	3.18

¹ P/N 156841 includes items 1, 10, 34 thru 38.
² Used on filters manufactured before 3-97.
³ Used on filters manufactured after 3-97.
⁴ Used on filters manufactured before 11-99.
⁵ Used on filters manufactured after 11-99.
⁶ Used on filters manufactured after 4-15.

Item	Part No.	Description	US List	Can. List
TRITON C & C-3 SAND FILTERS				
31	154599	Diffuser (2 req'd. for TR 100C-3), 2 req.	79.49	95.52
31	154599	Diffuser (4 req'd. for TR 140C-3), 4 req.	79.49	95.52
32	154507	Spacer TR 100C-3, 6-3/4 in.	13.27	15.95
32	154508	Spacer TR 140C-3, 10-5/16 in.	17.22	20.69
33	154578Z	Strainer air relief ⁴	CALL	CALL
33	150035Z	Strainer air relief ⁵	CALL	CALL
34	190058Z	Pressure gauge, 1/4 in. psi ³	13.45	16.16
35	154581	Knob TR oval ³	29.90	35.93
36	154582	Spring TR oval ³	70.11	84.24
37	154579	Bridge TR oval ³	166.62	200.21
38	154576	Closure oval ³	156.70	188.29
39	156841	Kit TR oval closure ^{1,3}	526.77	632.97
40	154016Z	Hub	CALL	CALL
NOT SHOWN				
154714		Bulkhead ASY 2 IN TR (includes items 20, 21, 22, 23, 24, & 25)	236.86	284.61
151600		Oval Bulkhead Wrench	819.37	984.55
151604		Oval Bulkhead Wrench	1081.55	1299.59
150096		3" Flange Gaskets	CALL	CALL
151092		Aluminum Wrench	722.34	867.96



DIVERTER VALVES – 1-1/2 IN. AND 2 IN. REPLACEMENT PARTS (PACFAB AND COMPOOL VALVES)

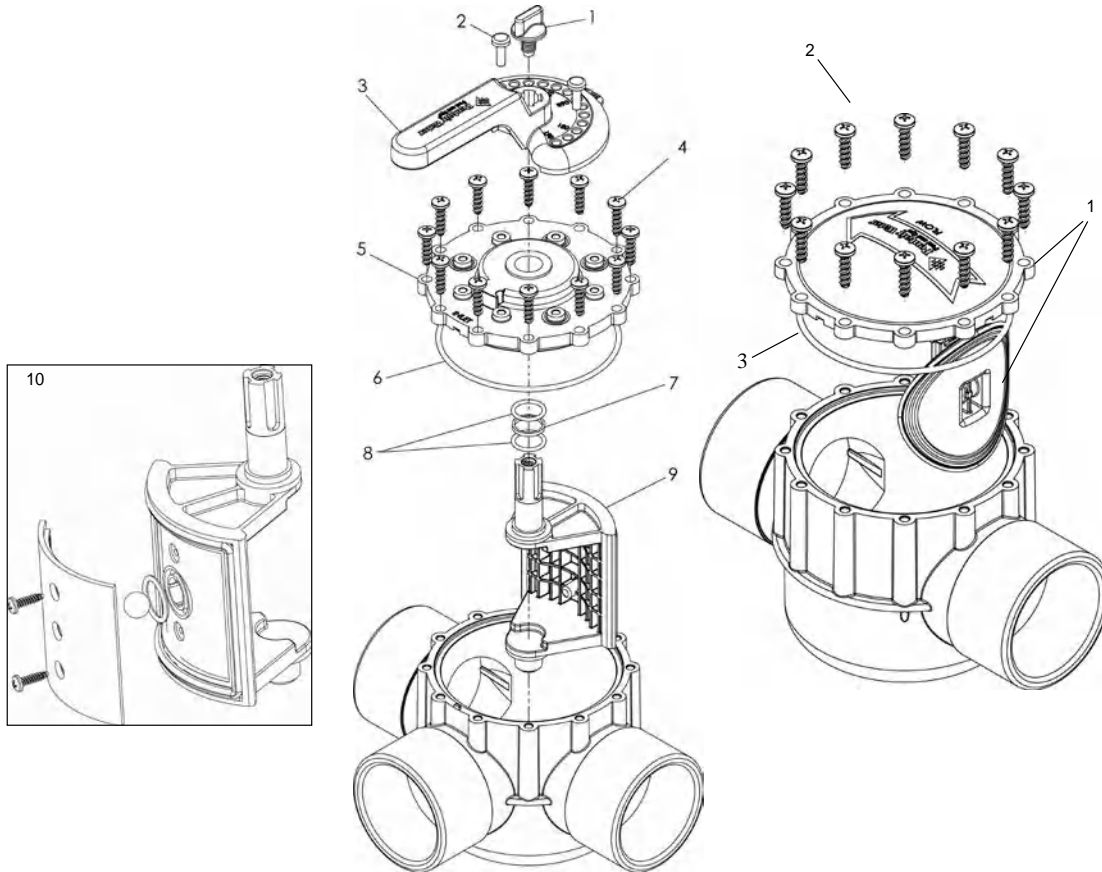


Item No.	Part No.	Description	US List	Can. List
DIVERTER VALVES – 1-1/2 IN. AND 2 IN.				
1	270032	Handle Knob 2 & 3-Way Valve	26.52	31.87
2	270021	Pin stop 2 & 3-Way Valve	CALL	CALL
3	270028	Handle 2 & 3-Way Valve	CALL	CALL
4	520389	Screw Kit, (8 Screws)	60.45	72.64
5	270030	Cover CPVC 2 & 3-Way Valve	CALL	CALL
6	51016200Z	O-ring #2-152 Buna 70 Shore	5.64	6.78
7	270038	Spacer ring	CALL	CALL
8	192039Z	O-ring #2-116 Buna 70 Shore	3.90	4.69
9	270056	Diverter assy. 2 & 3-Way Valve, (2–2-1/2 in.) ¹	103.95	124.91
9	270075	Diverter assy. 2 & 3-Way Valve, (1-1/2–2 in.) ¹	119.55	143.65
9	270094	Diverter assy. 3-Way Solar Valve w/ drain down, (2–2-1/2 in.)	174.28	209.41
NOT SHOWN				
	263042Z	Check Valve Replacement Kit	122.23	146.87

¹ Includes: P/N 270038 (Spacer split ring) and P/N 192039Z (O-ring).

FULLFLOXF® DIVERTER & CHECK VALVES - 2-1/2" & 3"

REPLACEMENT PARTS



Item No.	Part No.	Description	US List	Can. List
DIVERTER VALVE				
1	271074Z	Screw Handle Lock	26.53	31.88
2	271072Z	Pin Handle Stop	3.36	4.04
3	270118Z	Handle	CALL	CALL
4	271077Z	Screw Kit (12 screws/kit)	CALL	CALL
5	270115Z	Diverter Valve Cover	39.77	47.79
6	270116Z	O-Ring, 2-248 Buna-N 70 Shore A (1 req.)	12.43	14.94
7	271073Z	O-ring, Spacer (1 req.)	6.22	7.47
8	192039Z	O-Ring, 2-116 Buna-N 70 Shore A (2 req.)	3.90	4.69
9	270106Z	Diverter Shaft Assy	134.26	161.33
10	270107Z	Diverter Assy Solar 3-Way Valve w/ Drain Down Check Valve	198.86	238.95
CHECK VALVE				
1	270119Z	Check Valve Flapper Replacement Kit (includes items 2 & 3)	169.64	203.84
2	271077Z	Screw Kit (12 Screw/Kit)	74.56	89.59
3	270116Z	O-Ring 2-248 Buna-N 70 Shore A (1 req.)	12.43	14.94

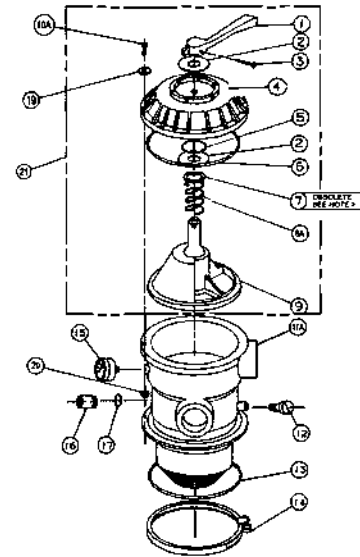
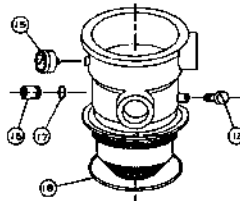
SIX-WAY 1-1/2 IN. TOP MOUNT HIFLOW™ VALVES

REPLACEMENT PARTS (PACFAB MULTIPOINT VALVES 262504, 262505, 262506)

NOTE

- ¹ VALVES MANUFACTURED BEFORE MARCH 1, 1993 DO NOT CONTAIN ITEM 16 SIGHT GLASS OR ITEM 17 SIGHT GLASS GASKET.
- ² CLAMP STYLE VALVES MANUFACTURED BEFORE MARCH 1, 1993 CONTAIN A DIFFERENT AIR BLEEDER WITH O-RING P/N 272515. THIS PART IS NOT INTERCHANGEABLE WITH P/N 273512. THREADED VALVES MANUFACTURED BEFORE MARCH 1, 1993 DO NOT CONTAIN AN AIR BLEEDER WITH O-RING.
- ³ ITEM 8A USED ON VALVES MANUFACTURED AFTER MAY 1, 1992 AND REPLACES BOTH ITEMS 7 AND 8.
- ⁴ ITEMS 10A, 19 AND 20 ARE USED ON VALVES MANUFACTURED AFTER APRIL 15, 1994 AND REPLACE ITEM 10.

For (261130) 6 in.
Buttress Style Valve For
TA Filters

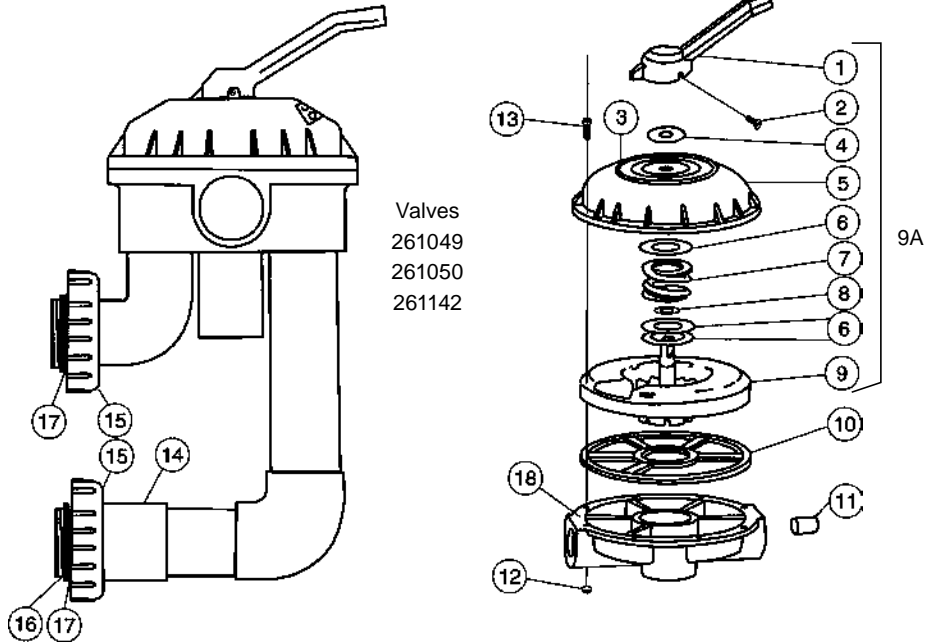


For (262504) (262505)(262506) Clamp Style Valve For TA-D Filters

-Item No.	Part No.	Description	US List	Can. List
6-WAY HIFLOW MULTIPOINT VALVES				
1	272520	Handle	37.82	45.44
2	272505	Washer plastic, 2 req.	4.25	5.11
3	272405	Screw - handle	2.47	2.97
4	272599	Six-way valve label	8.82	10.60
5	272511	O-ring - diverter shaft	2.38	2.86
6	354053	O-ring - valve top	41.89	50.34
7	271193	Washer - s/s ³	3.63	4.36
8	272400	Spring - comp. 100 lb. 1-13/16 o.d. ³	14.18	17.04
8A	272535	Spring - comp. 100 lb. 1-3/8 o.d. ³	7.58	9.11
9	272512	Diverter w/ gasket	81.12	97.47
10A	354541	Screw #10-24 hex pan head, 6 req. ⁴	3.31	3.98
11A	272530	Valve body w/ diffuser - clamp style	198.73	238.79
12	273512	Air bleeder with O ring ²	17.61	21.16
13	272541	O-ring - 3/16 in. x 4-5/8 in. i.d.	12.35	14.84
14	152165	Clamp	37.82	45.44
15	190059Z	Pressure gauge	66.35	79.73
16	272550	Sight glass ¹	20.07	24.12
17	271106	Gasket - sight glass ¹	4.49	5.40
18	154493	O-ring	8.19	9.84
19	272555	Washer - 9/16 s/s, 6 req. ⁴	2.47	2.97
20	272554	Nut - #10-24 serrated flange s/s, 6 req. ⁴	3.03	3.64
21	272531	HiFlow 1-1/2 in. top valve assy.	248.37	298.44

2 IN. HIFLOW™ VALVES

REPLACEMENT PARTS FOR VALVES



Valves
261049
261050
261142

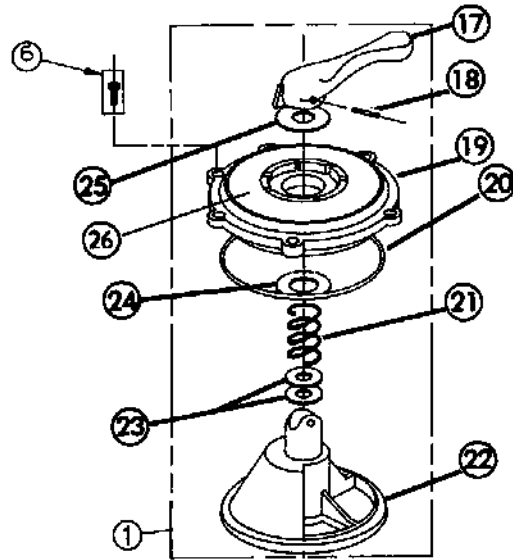
Item	Part No.	Description	US List	Can. List
2 IN. HIFLOW VALVES				
1	272520	Handle	37.82	45.44
2	272405	Screw - Handle	2.47	2.97
3	272120	Label	CALL	CALL
4	272402	Washer - Plastic	4.31	5.18
5	272412	Valve Top	85.78	103.07
6	271193	Washer - 18 GA., 2 req.	3.63	4.36
7	272400	Spring - Compression	14.18	17.04
8	JV18	O-ring Kit Bag	1.65	1.98
9	272413Z	Diverter	151.57	182.13
9A	272422	Valve top assy. ¹	325.12	390.66
10	272409	Seal - Diverter	59.04	70.94
11	154566	Sight Glass 2 in. clear	23.07	27.72
12	98211400	Nut 1/4 in.- 20 Hex, 8 req.	3.93	4.72
13	272403	Screw 1/4 in.- 20, 8 req.	2.65	3.18
15	274407	Nut - Bulkhead adapter, 2 req.	CALL	CALL
16	274426	Adapter - Union Kit	CALL	CALL
17	274494	O-ring - Bulkhead adapter, 2 req.	CALL	CALL
18	272433	Valve btm. 2 in. w/ gasket ²	201.79	242.47

¹ This part number includes items 1 thru 9.

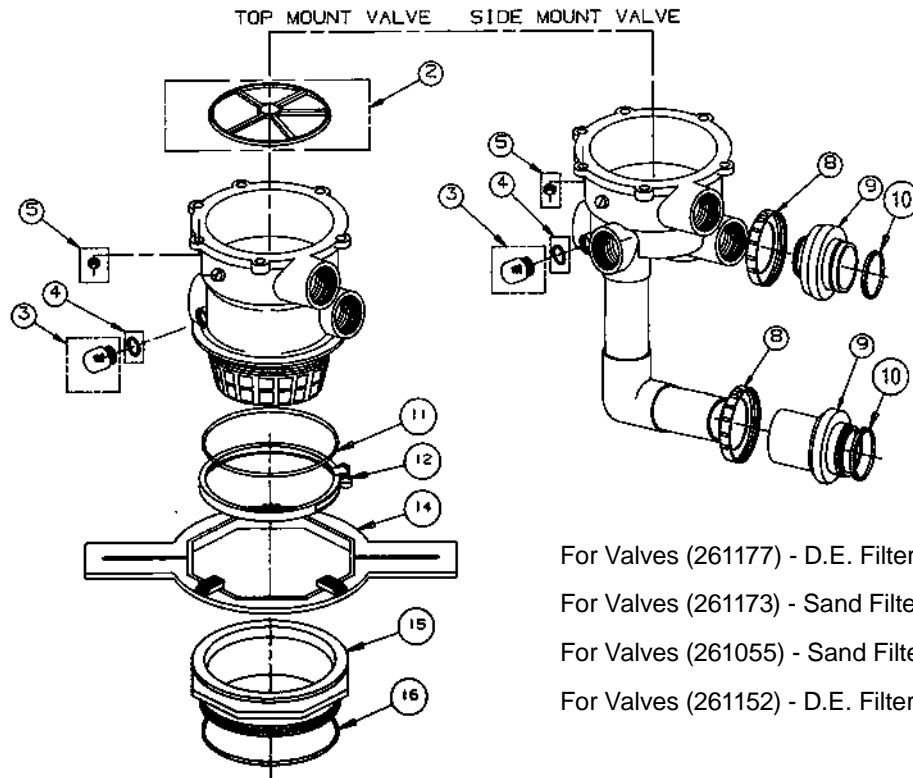
² 272433 valve btm. 2 in. w/ gasket contains one each of: 272409 seal diverter and 272415 Plate 2 in. valve btm.

TOP MOUNT / SIDE MOUNT VALVES

REPLACEMENT PARTS FOR PACFAB MULTIPOINT VALVES



For use on TR, TA, NS
or FNS filters



For Valves (261124, 261185)

For Valves (261177) - D.E. Filters
For Valves (261173) - Sand Filters
For Valves (261055) - Sand Filters
For Valves (261152) - D.E. Filters

TOP MOUNT / SIDE MOUNT VALVES (CONT'D)

REPLACEMENT PARTS FOR PACFAB MULTIPOINT VALVES

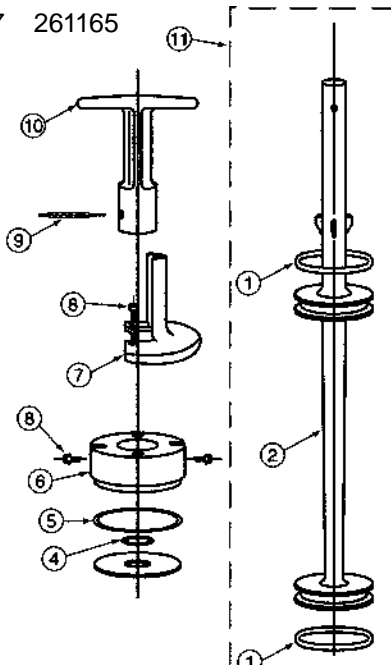
Item	Part No.	Description	US List	Can. List
TM/SM HIFLOW MULTIPOINT VALVES				
1	270068	Top valve assy. 1-1/2 in.	300.38	360.94
1	270067	Top valve assy. 2 in.	357.16	429.16
2	271104	Gasket - diverter, 1-1/2 in.	40.15	48.24
2	271148Z	Gasket - diverter, 2 in.	48.67	58.48
3	272550	Sight glass	20.07	24.12
4	271106	Gasket - sight glass	4.49	5.40
5	152167	Nut, M6 s/s, 6 req.	2.29	2.75
6	152168	Screw - M6 x 30mm s/s, 6 req.	3.18	3.82
8	274407	Nut - bulkhead adapter, 2 req.	CALL	CALL
9	274404	Adapter - valve, slip 1-1/2 in.	37.82	45.44
9	274651	Adapter - valve, threaded 1-1/2 in.	20.18	24.25
9	274556	Adapter - valve thread, 2 in.	23.45	28.18
10	274494	O-ring - adapter, 2 req.	CALL	CALL
11	272541	O-ring - valve adapter, 1-1/2 in.	12.35	14.84
11	275333	O-ring - valve, 2 in.	10.50	12.62
12	152165	Clamp with screws and nuts, 1-1/2 in.	37.82	45.44
12	152130	Band assy. - valve, 2 in.	160.36	192.69
14	154512	Wrench - flanged valve, 1-1/2 in.	39.76	47.78
14	151608	Wrench - adapter flange	CALL	CALL
15	155225	Adapter - flanged std. thread, 1-1/2 in.	58.74	70.58
15	152520Z	Adapter - flanged buttress, 1-1/2 in.	166.33	199.86

Item	Part No.	Description	US List	Can. List
15	154521	Adapter - flange buttress thread, 2 in.	104.42	125.47
16	154493	O-ring flanged valve adapter, 1-1/2 in.	8.19	9.84
16	152501	O-ring - adapter, 2 in.	10.14	12.18
17	271156	Handle	50.02	60.10
18	271164	Pin, handle	20.18	24.25
19	271158	Valve top, white, 1-1/2 in.	91.20	109.59
19	271165	Valve top, black, 1-1/2 in.	91.20	109.59
19	271166	Top valve cover, blk, 2 in.	136.68	164.23
19	271169	Top valve cover, blk, 2 in.	136.68	164.23
20	271103	O-ring, valve top, 1-1/2 in.	23.75	28.54
20	271151	O-ring, valve top, 2 in.	29.23	35.12
21	271161	Valve spring	67.69	81.34
22	271163	Valve diverter, 1-1/2 in.	121.69	146.22
22	271168	Valve diverter, 2 in.	136.68	164.23
23	191479	O-ring, stem, 2 req.	2.04	2.45
24	271160	Washer, valve spring	14.79	17.77
25	271157	Washer, handle	14.79	17.77
26	273208	Label 2 in. Sand (261055)	CALL	CALL
26	273207	Label 2 in. D.E. (261152)	CALL	CALL
26	271140	Label 1.5 in. Sand (261173)	CALL	CALL
26	271141	Label 1.5 in. D.E. (261177)	CALL	CALL
26	272035	Label 1.5 in. Sand (261124)	CALL	CALL
26	273211	Label 2 in. Sand (261185)	CALL	CALL

2 IN. PVC SLIDE VALVE

REPLACEMENT PARTS FOR SLIDE VALVES

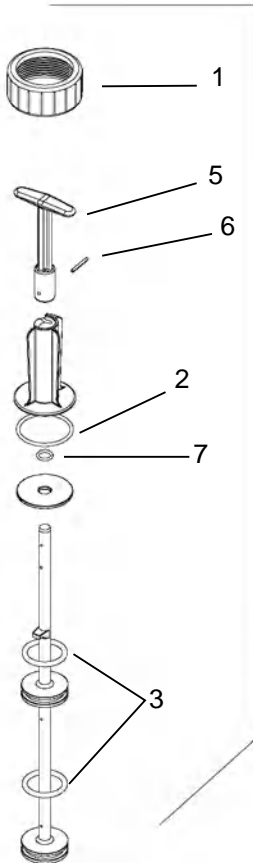
MODELS
261047 261165



Item	Part No.	Description	US List	Can. List
2 IN. PVC SLIDE VALVE				
1	273090	O-ring - 1-1/2 in. i.d. x 3/16 in. dia., 2 req.	4.05	4.87
2	273106	Piston Shaft	157.56	189.32
4	JV18	O-ring Kit	1.65	1.98
5	273062	O-ring - 2-1/8 in. i. d. x 1/8 in. dia.	2.47	2.97
6	273077	Plug - 5/8 in. i.d. x 2-3/8 in. o.d.	9.18	11.03
7	273064	Position Bracket	49.21	59.13
8	273071	Screw - #14 - 18-8 s/s, 4 req.	2.65	3.18
9	273063	Pin - 1/8 in. dia. x 1-1/8 in. long s/s.	4.49	5.40
10	273089	Handle for plastic shaft - 5/8 in. i.d.	26.15	31.42
11	273241Z	Piston rod assy.	147.98	177.81
NOT SHOWN				
	154566	Sight glass - 2 in. clear	23.07	27.72

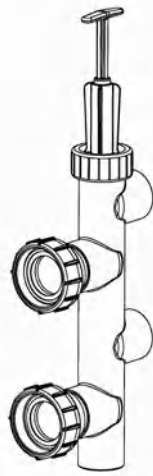
SLIDE VALVES

REPLACEMENT PARTS FOR SLIDE VALVES



MODELS

263064
263052 263078
263053 263079



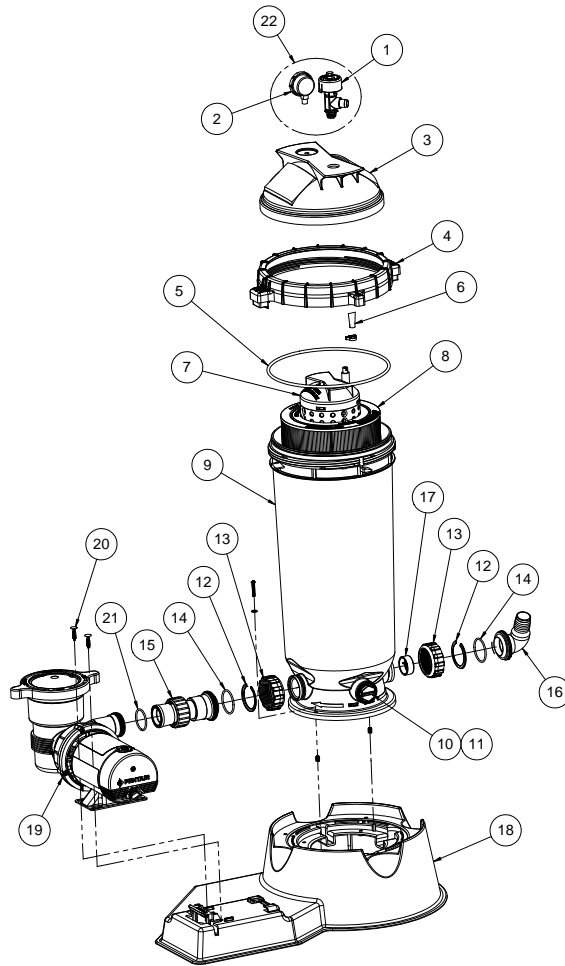
263053

Item	Part No.	Description	US List	Can. List
SLIDE VALVE				
1	270141	Nut, Black SF PMP/VLV PSHPL	30.10	36.17
2	273062	O-ring	2.47	2.97
3	51005000	O-ring	10.70	12.86
4	263055	Kit, Piston Shaft Assembly	162.95	195.80
5	270134	Handle	26.16	31.43
6	273063	Pin	4.49	5.40
7	6020006	O-ring	0.05	0.06
NOT SHOWN				
	263054	Kit, O-rings. Includes all valve O-rings.	32.18	38.67

CLEAN & CLEAR® FILTER SYSTEMS

REPLACEMENT PARTS FOR SYSTEMS MANUFACTURED 2009 AND BEYOND

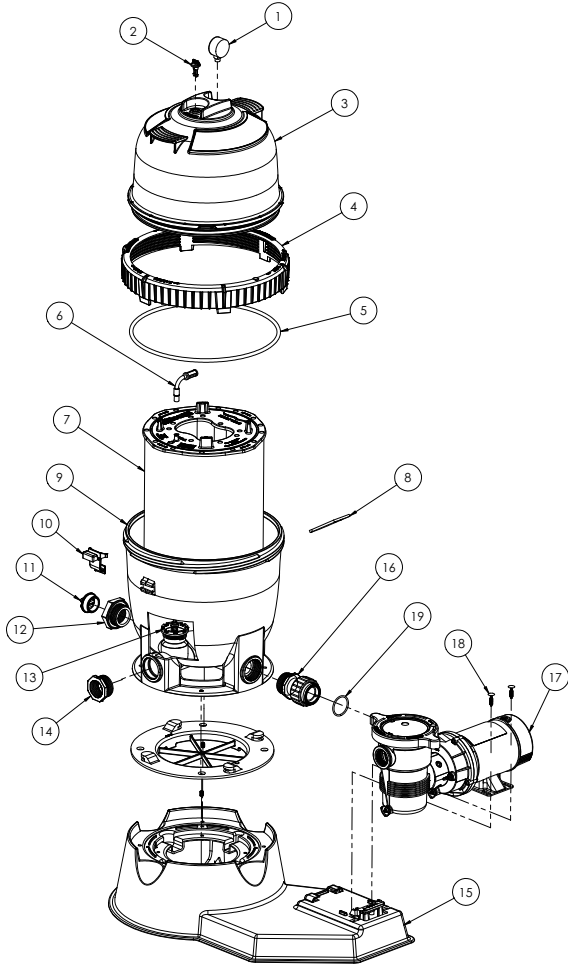
Item	Part No.	Description	US List	Can. List
CLEAN & CLEAR FILTER SYSTEMS 2009 AND BEYOND				
1	98209800	High Flow Manual Relief Valve	52.99	63.67
2	190058Z	Pressure Gauge	CALL	CALL
3	178553	Lid, 50/100/125 sq. ft., Almond	247.29	297.14
3	178561	Lid, 75/150/175/200 sq. ft., Almond	230.57	277.05
4	59052900	Locking Ring Assy	151.74	182.33
5	87300400Z	Body O-Ring	CALL	CALL
6	59016200	Air Bleed Sock Kit	20.31	24.40
7	59053500	Center Core, 50 sq. ft.	179.87	216.13
7	59053600	Center Core, 75 sq. ft.	181.31	217.86
7	59053700	Center Core, 100/125 sq. ft.	211.37	253.98
7	59053800	Center Core, 150/175/200 sq. ft.	323.92	389.22
8	R173213	Cartridge Element, 50 sq. ft.	140.71	169.08
8	R173214	Cartridge Element, 75 sq. ft.	182.32	219.08
8	R173215	Cartridge Element, 100 sq. ft.	223.63	268.71
8	R178671	Cartridge Element, 125 sq. ft.	269.39	323.70
8	R173216	Cartridge Element, 150 sq. ft.	294.64	354.04
8	R178672	Cartridge Element, 175 sq. ft.	344.29	413.70
8	R173217	Cartridge Element, 200 sq. ft.	367.74	441.88
9	178562	Tank Bottom, 50/75, Almond	436.51	524.51
9	178563	Tank Bottom, 100/125/150/175/200, Almd	556.29	668.44
10	86202000	Drain Cap with O-Ring	29.44	35.38
11	51005000	O-Ring (Drain Cap)	10.70	12.86
12	39104500	C-Clip (Union Nut)	2.91	3.50
13	98212200	Union Nut	16.77	20.15
14	071426	O-Ring (Union)	2.47	2.97
15	155372	Pump to Filter Assembly (OptiFlo®)	85.83	103.13
16	79304700	Body swivel 1.5 NPT	31.86	38.28
16	711006	Outlet Connector	10.30	12.38
17	51516100	Check Valve Kit	61.53	73.93
18	155333P	Systems Base	CALL	CALL
18	155333CP	Systems Base, CSA Pump	143.98	173.01
19		OptiFlo Pump		
20	710009	Base Hardware Kit	25.15	30.22
21	354571	O-Ring (Union)	5.39	6.48
22	170095	Air Relief Parts Kit	93.76	112.66
ACCESSORIES				
	155151	Replacement Hose Kit, Flex Hose, 6 ft. ¹	151.09	181.55
	155005	Replacement Hose Kit, Flex Hose, 12ft ¹	199.40	239.60



¹ Replacement Hose Kits include two (2) hoses, four (4) hose adaptors and four (4) hose clamps.

PLD FILTER SYSTEMS

REPLACEMENT PARTS FOR SYSTEMS MANUFACTURED 2009 AND BEYOND



Note: System shown with 155333P Base and OptiFlo® Pump

Item	Part No.	Description	US List	Can. List
PLD FILTER SYSTEMS 2009 AND BEYOND				
1	15060-0000T	Pressure Gauge	66.47	79.87
2	25010-0200	Air Relief Valve Assembly	27.56	33.12
3	27001-0020S	Tank Shell Upper Half	459.47	552.10
4	27001-0054S	Posi-Lok Ring	306.80	368.65
5	27001-0061S	Body O-Ring	80.05	96.19
6	24800-0120	Air Bleed Assembly	32.06	38.52
7	27002-0030S	Filter Module - PLD50	511.71	614.87
8	27001-0011	Flapper Valve	24.09	28.95
9	27001-0009S	Tank Shell Lower Half	780.52	937.87
10	27001-0051	Safety Latch	21.59	25.94
11	27001-0022	1-1/2 in. NPT Plug	4.28	5.14
12	24900-0510	Adapter Fitting	41.68	50.08
13	27001-0130S	Spring Check Valve	33.29	40.00
14	U78-820P3	2 in. to 1-1/2 in. Pipe Reducer	19.75	23.73
15	155331P	Systems Base (ABG/JWP)	297.68	357.69
15	155333P	Systems Base (OptiFlo)	143.99	173.02
15	155333CP	Systems Base, CSA (OptiFlo)	143.98	173.01
16	155403	Pump to Filter Hose Assembly (JWP)	74.23	89.19
16	155374	Pump to Filter Assembly (OptiFlo) ²	74.23	89.19
16	155765	Pump to Filter Assembly (OptiFlo) ³	62.00	74.50
17		OptiFlo Pump		
18	710009	Base Hardware Kit	25.15	30.22
19	354571	O-Ring, Union	5.39	6.48
NOT SHOWN				
	155151	Kit, Flex Hose, 6 ft. ¹	151.09	181.55
	155005	Kit, Flex Hose, 12 ft. ¹	199.40	239.60

¹ Replacement Hose Kits include two (2) hoses, four (4) hose adapters and four (4) hose clamps.

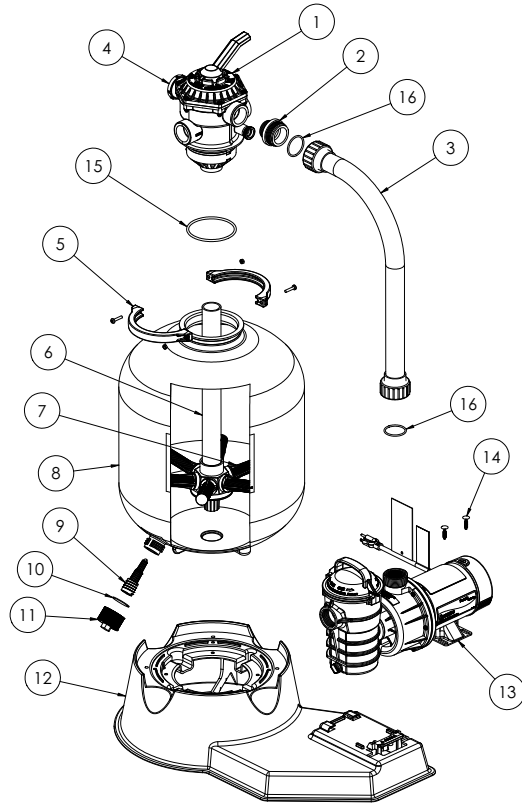
² When replacement OptiFlo pump is used on base 155333P and 155333CP.

³ When replacement OptiFlo pump is used on base 155331P.

SAND DOLLAR® FILTER SYSTEMS

REPLACEMENT PARTS FOR SYSTEMS MANUFACTURED 2009 AND BEYOND

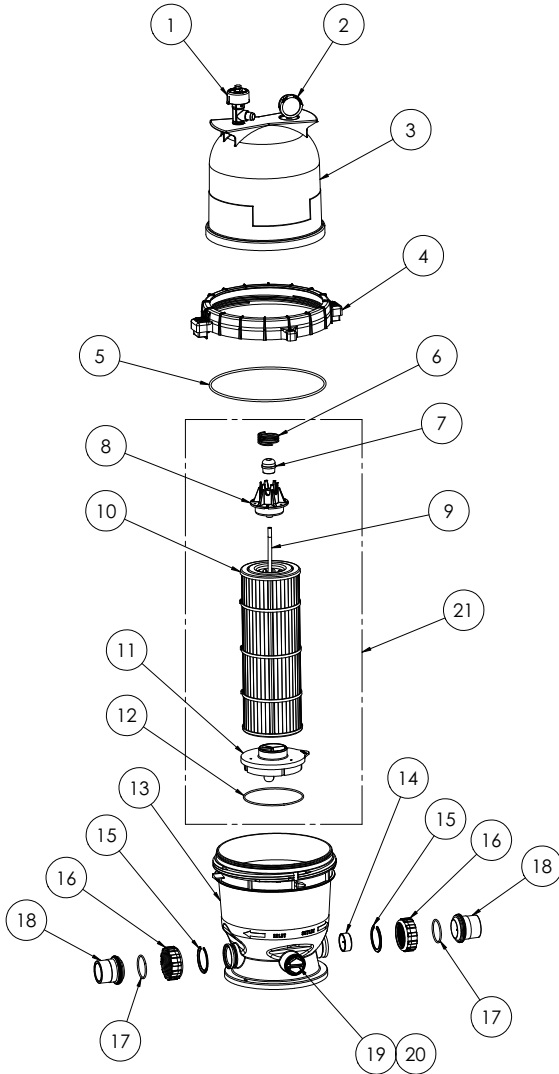
Item	Part No.	Description	US List	Can. List
SAND DOLLAR FILTER SYSTEMS 2009 AND BEYOND				
1	262506	Valve, 1-1/2 Inch, 6-Way	CALL	CALL
2	354588	Adaptor, NPT to Buttress	30.99	37.24
3	155709	Pump to Filter Assembly (Dynamo to SD35)	94.75	113.85
3	155710	Pump to Filter Assembly (Dynamo to SD40)	99.07	119.04
3	155711	Pump to Filter Assembly (Dynamo to SD60)	104.32	125.35
4	190059Z	Pressure Gauge	CALL	CALL
5	152165	Clamp Assembly	37.82	45.44
6	152229	Piping Assembly – SD35	187.73	225.58
6	152228	Piping Assembly – SD40	173.32	208.26
6	152227	Piping Assembly – SD60	201.49	242.11
7	150084	Lateral – SD 35 & SD 40	10.42	12.52
7	150085	Lateral – SD60	13.10	15.74
8	145339	Tank w/ Drain – SD35	432.02	519.12
8	145341	Tank w/ Drain – SD40	573.17	688.72
8	145343	Tank w/ Drain – SD60	793.55	953.53
9	154711Z	Sand Drain	25.57	30.72
10	154715	Gasket (Sand Drain)	8.68	10.43
11	154712Z	Drain Cap	CALL	CALL
12	155333P	Systems Base	143.99	173.02
12	155333CP	Systems Base, CSA Pump	143.98	173.01
13		OptiFlo® Pump		
14	710009	Base Hardware Kit	25.15	30.22
15	272541	O-Ring Valve Body	12.35	14.84
16	354571	O-Ring, Union	5.39	6.48
NOT SHOWN				
	155151	Kit, Flex Hose, 6 ft. ¹	151.09	181.55
	155005	Kit, Flex Hose, 12 ft. ¹	199.40	239.60



¹ Replacement Hose Kits include two (2) hoses, four (4) hose adaptors and four (4) hose clamps.

EASYCLEAN™ D.E. FILTERS

REPLACEMENT PARTS



Item	Part No.	Description	US List	Can. List
EASYCLEAN FILTER SYSTEMS				
1	98209800	High Flow Manual Air Relief Valve	52.99	63.67
2	190058Z	Pressure Gauge	13.45	16.16
3	178561	Lid, Almond	230.57	277.05
4	59052900Z	Locking Ring Assy	CALL	CALL
5	87300400Z	Body O-Ring	14.97	17.99
6	178616	Compression Spring	9.97	11.98
7	190106Z	Air Bleeder	41.31	49.64
8	178626	Center Core Top, EC	28.15	33.83
9	U37-3/8P	Air Bleeder Tube, EC60	CALL	CALL
9	U37-3/8P	Air Bleeder Tube, EC90	CALL	CALL
10	178757	Cartridge Element, EC60	131.24	157.70
10	178656	Cartridge Element, EC90	CALL	CALL
11	178627	Center Core Bottom, EC	24.59	29.55
12	071422	O-Ring, Center Core	10.70	12.86
13	178562	Tank Bottom, EC60	436.51	524.51
13	178563	Tank Bottom, EC90	556.29	668.44
14	51516100	Check Valve Kit	61.53	73.93
15	39104500Z	C-Clip (Union Nut)	CALL	CALL
16	98212200Z	Union Nut	CALL	CALL
17	071426Z	O-Ring, Union	CALL	CALL
18	79304600Z	Body Swivel	CALL	CALL
19	86202000	Drain Cap with O-Ring	29.44	35.38
20	51005000Z	O-Ring Drain Cap	CALL	CALL
21 ¹	196060	Element Retro Kit, EC60	210.93	253.45
21 ¹	196090	Element Retro Kit, EC90	304.68	366.10
NOT SHOWN				
	155151	Flex Hose Kit (6 ft.) *	151.09	181.55
	155005	Flex Hose Kit (12 ft.) *	199.40	239.60

¹ Item 21 includes items 6 through 12. Item 21 replaces the Center Core, Cartridge Element, and Air Bleeder Sock Kit on filters manufactured before 2014.

* Replacement Hose Kits include two (2) hoses, four (4) hose adapters and four (4) hose clamps.

Pumps

IntelliFlo

VARIABLE SPEED AND FLOW POOL PUMP

- Proprietary flow technology maintains the pool's optimal flow
- Easy control via the Pentair Home app or optional touchscreen
- Up to 90% energy savings*
- New motor, drive and hydraulics
- Optional onboard automation
- Easy setup and remote updates



Part Number	Description	Dealer Price	List Price
PEN011065	PMP IF3 VSF 1.5HP	\$1,494.99	\$2,299.98
PEN011075	PMP IF3 VSF 3.0HP	\$2,033.19	\$3,127.98

IntelliPro

VARIABLE SPEED AND FLOW POOL PUMP

- Proprietary flow technology maintains the pool's optimal flow
- Easy control via the Pentair Home app or optional touchscreen
- Up to 90% energy savings*
- New motor, drive and hydraulics
- Optional onboard automation
- Easy setup and remote updates



Part Number	Description	Dealer Price	List Price
PEN013065	PMP IP3 VSF 1.5HP	\$1,539.84	\$2,368.98
PEN013075	PMP IP3 VSF 3.0HP	\$2,092.99	\$3,219.98

WhisperFlo

WhisperFlo High Performance Pump

- Oversized strainer basket and volute—industry standard in pool pumps
- TEFC Motors available
- Lower HP's deliver higher performance than industry standard
- Compatible with all cleaning systems, various filters and jet action spas
- Heavy-duty/durable construction is designed for long life
- Designed for residential and commercial applications



Part Number	Description	SF	Dealer Price	List Price
PEN015583	DOE COMPLIANT SINGLE-SPEED TEFC	1.0	\$957.11	\$1,472.48

Whisperflo Variable Speed Pump

Ideal for new and standard pool pump replacement for pools requiring up to a 2.0 HP pump for filtration, water features, and higher head applications.

- Variable speed technology reduces energy cost up to 90%*
- Improved mechanical seal and totally enclosed fan-cooled (TEFC) motor to help withstand harsh temperatures and chemicals
- RS-485 connectivity for improved interface with automation systems and IoT devices for more flexibility
- Advanced onboard digital display and real-time, 24-hour clock
- Select from three programmable speeds plus an override to meet specific needs
- Adapts to 115V to 230V and 50hz or 60hz power with no special wiring or switching



Part Number	Description	SF	Dealer Price	List Price
PEN011533	WHISPERFLO VST VARIABLE SPEED	1.0	\$1,793.99	\$2,759.98

Pumps

WhisperFlo XF

WhisperFloXF High Performance Commercial Pump

- Drop-in replacement for original WhisperFlo
- Optional riser plate enables easy Challenger replacement
- Modular plumbing system means less need to cut and glue pipe



Part Number	Description	Dealer Price	List Price
PEN022034	PMP 5.1THP ALMD TEFC 208-230V 1PH	\$3,230.55	\$4,970.07
PEN022035	PMP WHISPERFLO XF VS	\$3,562.90	\$5,481.38

Due to the extensive number of parts for commercial pumps, please refer to the Pentair catalog for replacement part information.

Max-E-Pro Pump Single Speed Pump

Max-E-Pro Single Speed Pump

- Typical Installation – Inground pools, pool/spa combinations, inground spas, fountains and water features
- Easy-to-Install – 2 in. ports include external and internal threads for more plumbing options
- Efficient Hydraulic Design – Moves larger volumes of water, resulting in lower operating costs
- Impeller Manufactured with PPO Resin – Withstands the toughest water environments
- EDPM Rubber Shaft Seal – Longer-lasting seal stands up to the harshest environments
- Self-lubricating Lid O-ring – Does not require lubricant

Part Number	Description	Dealer Price	List Price
PEN348185	PMP MEP 1.1HP TEFC 1SP PREM EFF 115/208-230 1PH	\$979.54	\$1,506.98

Max-E-Pro XF

Max-E-Pro XF High Performance Commercial Pump

- Proprietary impeller design delivers a higher level of precision concentricity for increased efficiency
- Ideal for residential pools with water features such as slides and waterfalls, as well as commercial pool



Part Number	Model Number	Description	SF	Dealer Price	List Price
PEN023034	XPET-20	PMP 5HP BLK TEFC 208-230V 1PH	1.0	\$3,230.55	\$4,970.07

Due to the extensive number of parts for commercial pumps, please refer to the Pentair catalog for replacement part information.

Pumps

SuperFlo Pump

SuperFlo Pump

- SuperFlo pump by Pentair Aquatic Systems is a direct replacement for the Hayward® Super Pump®
- Extremely quiet operation
- Unionized fittings included (1-1/2 in. internal slip and 2 in. external slip)
- Cam and Ramp™ Lid
- Heavy-duty, high service factor 56 square flange motor
- Integral volute and pot reduce hydraulic noise



Part Number	Description	SF	Dealer Price	List Price
PEN348190	PMP SF 1.1HP TEFC 1SP PREM EFF 115/208-230 1PH	1.00	\$704.04	\$1,083.14

SuperMax Pump

- SuperMax pump by Sta-Rite is a direct replacement for the Hayward® *Super Pump® *
- Cam and Ramp™ Lid locks and unlocks with a simple quarter turn
- Exterior thermoplastic resin withstands temperature extremes and delivers long life
- Unionized fittings included (1-1/2 in. internal slip and 2 in. external slip)



Part Number	Description	SF	Dealer Price	List Price
PEN348191	PMP SM 1.1HP TEFC 1SP PREM EFF 115/208-230 1PH	1.00	\$704.04	\$1,083.14

SuperFlo Variable Speed (VS) Pump

SuperFlo VS Variable Speed Pump

- TEFC motor, can adapt to 115V to 230V or 50hz or 60hz power with no special wiring or switching
- Improved mechanical seal for long, dependable performance
- Simple, easy-to-use digital control keypad with three programmable speeds, override capability and a real-time, 24 hour clock
- Easy to access electrical connections for simple installation
- Ideal for new and standard pool pump replacement for pools requiring up to a 1.5 HP pump
- SuperFlo pumps by Pentair are a direct replacement for the Hayward® Super Pump®



Part Number	Description	Dealer Price	List Price
PEN342002	PMP SUPERFLO VST 1.5 ALMOND	\$1,420.24	\$2,184.98

SuperMax Variable Speed (VS) Pump

SuperMax VS Variable Speed Pump

- Ideal for standard pools requiring up to 1.5 HP pump
- Slash energy costs by up to 80%



Part Number	Description	Dealer Price	List Price
PEN343001	PMP SUPERMAX VS	\$1,463.59	\$2,251.68

Pumps

EQ Series Pump w/ Hair and Lint Pot

EQ Series Commercial Pump

- Includes hair & lint pot
- Noryl* Volute, impeller, strainer pot and assembly
- Stainless steel pump
- 6" suction, 4" discharge Self priming
- Models available for water feature applications
- NSF listed

LIMITED STOCK - CALL FOR AVAILABILITY

Part Number	Description	Dealer Price	List Price
PEN340030	PMP EQ500 W/POT 5HP 230V 1PH 60HZ	\$6,967.09	\$10,718.60
PEN340032	PMP EQ750 W/POT 7.5HP 230V 1PH 60HZ	\$7,281.55	\$11,202.38
TEFC			
PEN340604	PMP EQKT500 W/POT 5HP 208-230/460V 3PH TEFC	\$7,108.65	\$10,936.39
PEN340605	PMP EQKT750 W/POT 7.5HP 208-230/460V 3PH TEFC	\$7,415.63	\$11,408.67
PEN340606	PMP EQKT1000 W/POT 10HP 208-230/460V 3PH TEFC	\$8,261.70	\$12,710.31
PEN340607	PMP EQKT1500 W/POT 15HP 208-230/460V 3PH TEFC	\$8,628.26	\$13,274.24
PEN340608	PMP EQKT500 5HP 208-230/460V 3PH TEFC	\$6,338.40	\$9,751.38

Utility Pump

Utility Pump

- Ideal for draining shallow flooded areas and covers
- Removes standing water down to 1/8"
- 20 GPM w/ lifts of 20 ft.
- Connect to standard garden hose

Part Number	Description	Dealer Price	List Price
PEN200156	UTILITY SUMP PUMP 1/4HP 115V, MODEL SPS-4	\$172.34	\$265.14

Part Number	Description	List Price
PENP79137800	3' STANDARD ASSY	\$100.21
PENP155234	3' TWIST LOCK	\$120.93
PENP155371	25' STANDARD ASSY	\$120.57

Replacement Motors for WhisperFlo and SuperFlo

Part Number	Description	Dealer Price	List Price
PEN355008S*	MTR PKG .75HP 1A 1PH 1SP 208-230/115V ALMD	\$295.86	\$455.17
TEFC Motors			
PEN354803S	MTR PKG .75HP 1PH TEFC 115/208-230V ALMD	\$308.48	\$474.58
PEN354815S	MTR PKG 2HP 1PH TEFC 208-230V ALMD	\$470.12	\$723.26
PEN354817S	MTR PKG 3HP 1PH TEFC 208-230V ALMD	\$614.33	\$945.12
PEN354821S	MTR PKG 1HP 1PH TEFC 115/208-230V ALMD	\$334.98	\$515.36
PEN354823S	MTR PKG 1.5HP 1PH TEFC 208-230V ALMD	\$394.58	\$607.04
PEN354824S	MTR PKG 1.5HP 1PH TEFC 208-230V BLK	\$394.58	\$607.04

* Discontinued item available while supplies last.

Pumps

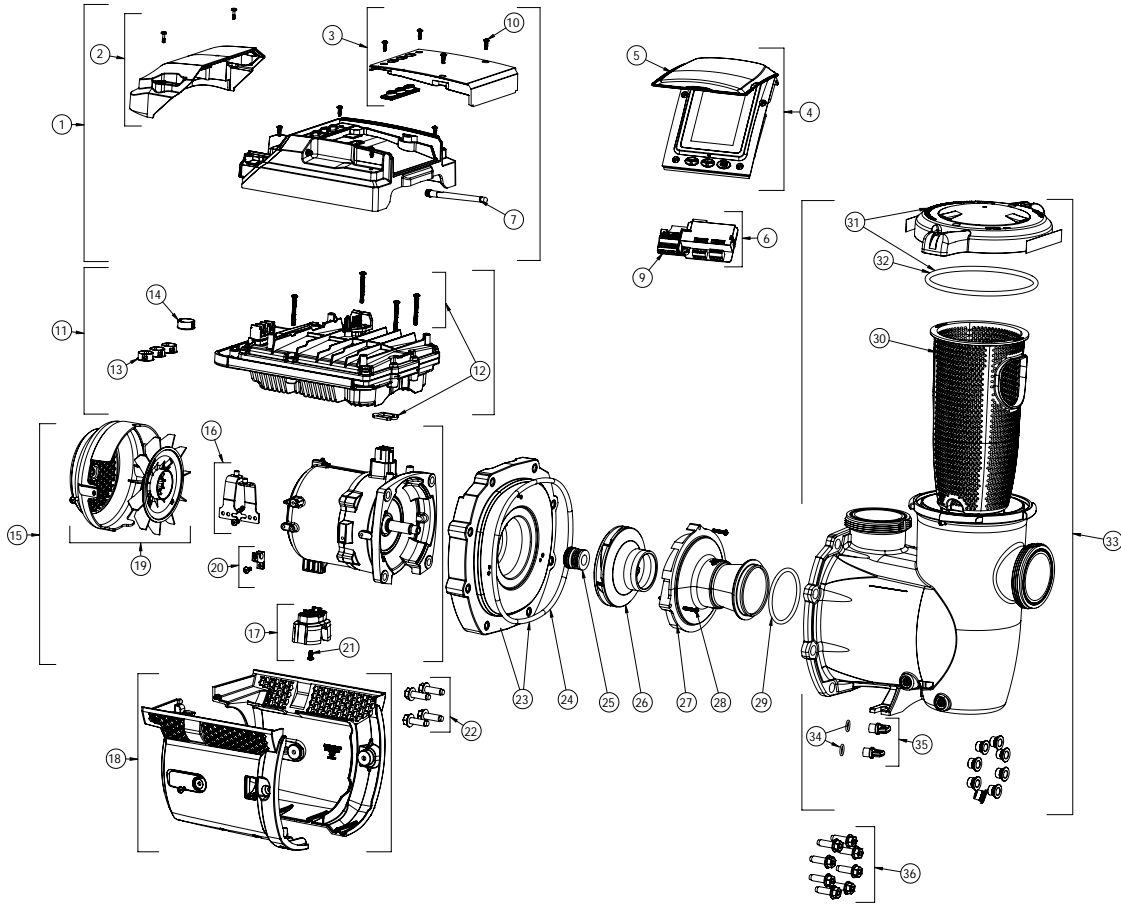
Motors



Part Number	Description	Dealer Price	List Price
CENB227SE	3/4HP MOTOR I/G - HAYWARD REPLACEMENT	\$217.13	\$334.05
CENB228SE	1HP MOTOR I/G - HAYWARD REPLACEMENT	\$242.68	\$373.35
CENB229SE	1.5HP MOTOR I/G - HAYWARD REPLACEMENT	\$277.60	\$427.08
CENB230SE	2HP MOTOR I/G - HAYWARD REPLACEMENT	\$375.76	\$578.09
CENB2852	3/4HP MOTOR I/G - CHALLENGER REPLACEMENT	\$222.50	\$342.31
CENB2859	2HP MOTOR I/G - CHALLENGER REPLACEMENT	\$399.29	\$614.30
CENHSQ125	CHALLENGER/SUPERFLO VARIABLE SPEED MOTOR 1.25HP	\$250.08	\$384.74
CENHSQ220	CHALLENGER/SUPERFLO MOTOR 2HP	\$289.71	\$445.70
CENHST110	SUPERPUMP MOTOR 1HP	\$242.68	\$373.35
CENHST150	SUPERPUMP MOTOR 1.5HP	\$277.60	\$427.08
CENELV08SQ	CHALLENGER/SUPERFLO VARIABLE SPEED MOTOR 1HP/110V	\$686.77	\$1,056.57
CENELV08C	CHALLENGER/SUPERFLO VARIABLE SPEED MOTOR 1HP/110V	\$686.77	\$1,056.57
CENECM16CU	SUPERPUMP VARIABLE SPEED MOTOR 1.5HP/220V	\$686.77	\$1,056.57
CENECM27CU	SUPERPUMP VARIABLE SPEED MOTOR 3HP	\$1,146.56	\$1,763.94
CENECM27SQU	CHALLENGER/SUPERFLO VARIABLE SPEED MOTOR 3HP	\$1,146.56	\$1,763.94

INTELLIFLO3®

VARIABLE SPEED AND FLOW POOL PUMP REPLACEMENT PARTS

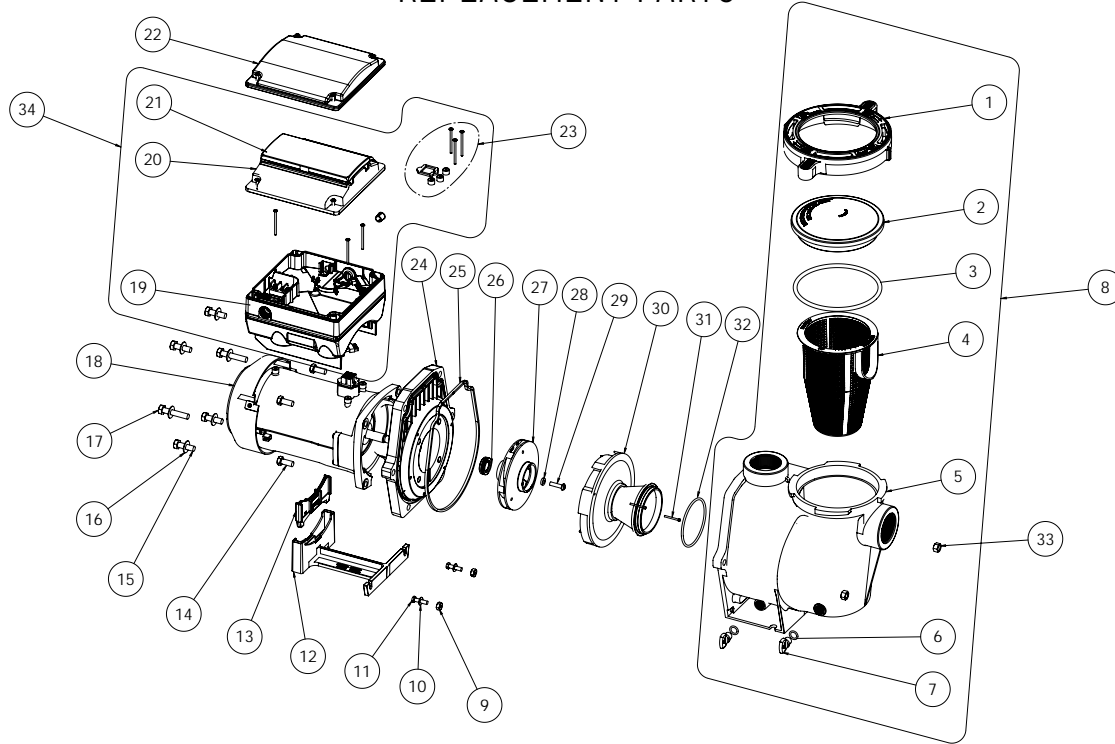


Item	Part No.	Description	US List	Can. List
SYSTEM				
1	356214z	Drive Cover Assembly	415.89	499.73
2	356096z	Field Wiring Compartment Kit	41.59	49.97
3	356101z	Blank Controller Kit	41.11	49.40
4	356159z	Touchscreen Controller Kit	600.83	721.96
5	356099z	Touchscreen Lid	31.45	37.79
6	356365z	Relay Control Board Kit	358.78	431.11
7	356226z	Antenna	17.19	20.66
—	8023304	4-Pin Connector, RS-485	CALL	CALL
9	8023306	6-Pin Connector, Relay Control Board	CALL	CALL
10	356215z	Controller Screw (x4)	6.41	7.70
11	356163z	Drive and Drive Hardware Kit	1759.53	2114.25
12	357865	Drive Hardware Kit	19.20	23.07
13	356219z	7/8" Plug, Drive (x3)	7.45	8.95
14	356320z	1" Bushing, Low Voltage, Drive	7.45	8.95
15	356165s	Motor Kit	1279.66	1537.64
16	356167z	Motor Bracket Kit	16.00	19.23
17	356149z	Motor Foot Kit	11.20	13.46
18	357869	Motor Shroud Kit	95.97	115.32
19	357866z	Motor Fan Kit	63.99	76.89
20	356166z	Bonding Lug	14.19	17.05

Item	Part No.	Description	US List	Can. List
21	356221z	Motor Foot Screw	4.46	5.36
22	074165z	Motor Bolts (x4)	17.91	21.52
23	356091z	Seal Plate Kit	143.96	172.98
24	356173z	Seal Plate O-ring	11.51	13.83
25	356210s	Shaft Seal	49.29	59.23
26	356177z	Impeller	79.97	96.09
27	356156z	Diffuser	79.97	96.09
28	356213z	Diffuser Screws (x3)	10.87	13.06
29	356190z	Diffuser O-ring	5.95	7.15
30	400007z	Strainer Basket	53.43	64.20
31	356172z	Lid Assembly	89.57	107.63
32	356189z	Lid O-ring	26.87	32.29
33	356175z	Strainer Pot Kit	399.90	480.52
34	192115z	Drain Plug O-ring (x2)	3.90	4.69
35	071131z	Drain Plug and O-ring (x2)	9.51	11.43
36	074164z	Seal Plate-to-Strainer Pot Bolts (x8)	29.87	35.89
NOT SHOWN				
—	357872	Seal Kit	35.76	42.97
—	410028	2" / 2.5" Union Kit	84.77	101.86
—	410029	3" Union Kit	94.96	114.10
—	410016z	Union O-ring - Diamond Seal	18.28	21.97
—	357833z	Riser Plate Kit - Thin (A/B Base)	57.59	69.20

INTELLIFLO® VSF PUMP/INTELLIFLO 2 VST PUMP INTELLIFLO VS PUMP - AFTER 2018

REPLACEMENT PARTS

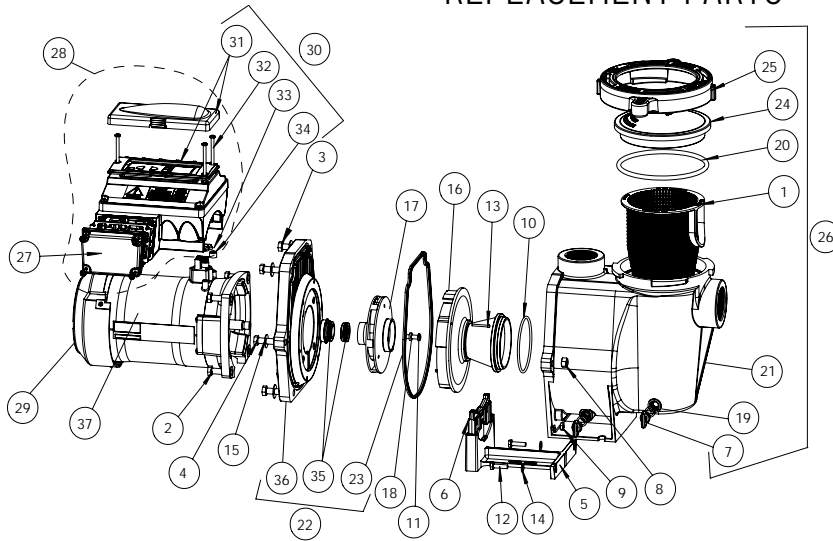


Item	Part No.	Description	US List	Can. List
INTELLIFLO PUMP				
1	357199Z	Clamp, Cam and Ramp	CALL	CALL
2	357151Z	See-through Lid	45.21	54.32
3	350013Z	Lid O-Ring	5.83	7.01
4	070387Z	Strainer Basket	25.85	31.06
5	350015Z	Volute WF	CALL	CALL
6	192115Z	O-Ring 112 for Drain Plug (Qty 2)	3.90	4.69
7	071131Z	Drain Plug WF (2 req.)	9.51	11.43
8	357243	Volute Kit (Contains items #1-7)	738.09	886.89
9	071406Z	Nut 1/4-20 Hex SS (Qty 2)	12.37	14.86
10	072183	Washer, Flat 1/4" ID x 5/8" OD (Qty 2)	2.38	2.86
11	071657Z	Screw 1/4-20 x 1" Hex Cap SS, 2 req.	4.86	5.84
12	070927	Foot WF	59.26	71.21
13	070929	Foot Insert WFE Pump Motor Support	29.73	35.72
14	070429Z	Bolt, 3/8-16 X 7/8 SS Hex Head 18-8, 4 req.	4.86	5.84
15	072184	Washer, Flat 3/8" ID x 7/8 OD (Qty 6)	2.38	2.86
16	070430Z	Bolt, Hex Head 3/8-16 x 1.25" (Qty 4)	CALL	CALL
17	070431	Bolt, Hex Head 3/8-16 x 2" (Qty 2)	4.25	5.11
18	350305S	Motor, 3.2 kW 10 Pole	CALL	CALL
19	356880Z	Drive (VSF model) (pumps mfg. before 10/2020)	CALL	CALL
19	356944Z	Drive (VSF model) (pumps mfg. after 10/2020)	CALL	CALL
19	356878Z	Drive (2VST and VS models)	CALL	CALL
20	357527Z	Keypad Assembly Kit (Contains item #21)	527.74	634.13
21	400100	Keypad Cover	334.66	402.13
22	356904Z	Keypad Relocation Kit (Contains Keypad Relocation cable and Blank Drive Cover)	114.71	137.84

Item	Part No.	Description	US List	Can. List
23	355685	Drive Hardware Kit (Contains Drive Screws, Drive Gasket and Screw Caps)	167.05	200.73
24	074564Z	Seal Plate	167.99	201.86
25	357100Z	Seal Plate Gasket	9.97	11.98
26	071734S	Mechanical Seal	46.83	56.27
26	071732S	Mechanical Seal (ozone/salt resistant)	39.23	47.14
27	073131Z	Impeller (pumps mfg. before 10/2020)	CALL	CALL
27	356237	Impeller (pumps mfg. after 10/2020)	CALL	CALL
28	075713Z	Rubber Washer, Impeller Set Screw	CALL	CALL
29	071652Z	Impeller Set Screw 1/4-20 LH Thread	4.86	5.84
30	072928Z	Diffuser (pumps mfg. before 10/2020)	58.37	70.14
30	356238	Diffuser (pumps mfg. after 10/2020)	CALL	CALL
31	071660Z	Diffuser Set Screw 4-40 x 1-1/8, 2 req.	5.04	6.06
32	355227Z	Diffuser O-Ring	5.04	6.06
33	071403	Nut 3/8" Brass, Nickel Plated (Qty 2)	CALL	CALL
34	356922Z	Drive Kit (VSF model) (Incl. Items #19-23)	2207.96	2653.08
34	356971Z	Drive Kit (VSF Model mfg. after 11/20) (Incl. items #19-23)"	CALL	CALL
34	356879Z	Drive Kit (2VST and VS models) (Incl. Items #19-23)	2207.96	2653.08
NOT SHOWN				
	350122Z	50 Ft. Communication Cable	CALL	CALL
	350202	Seal Plate Kit w/Mechanical Seal (Incl. Items #24, 25 and 26)	311.21	373.95
	354044	Power End - (2VST and VS models)	3690.48	4434.48
	356198	WhisperFlo/IntelliFlo Quick Kit (includes 26, 32,25, 6(x2), 3 and 28)	51.68	62.10
	357603	Union Kit (Incl. 2 complete unions for 1 pump - Not included with pump)	172.60	207.40
	350199	Seal Plate Kit (Ozone/Salt resistant)	303.94	365.21
	352401	Motor Fan Kit	268.24	322.32

INTELLIFLO® VF PUMP

REPLACEMENT PARTS



Item	Part No.	Description	US List	Can. List
INTELLIFLO VF PUMP				
1	070387Z	Basket WF	25.85	31.06
2	070429Z	Bolt, 3/8-16 X 7/8 SS Hex Head 18-8, 4 req.	4.86	5.84
3	070430Z	Bolt, 3/8-16 x 1-1/4 hex cap 18-8 S/S, 4 req.	CALL	CALL
4	070431	Bolt, 3/8-16 x 2 hex cap 18-8 S/S, 2 req.	4.25	5.11
5	070927	Foot WF, pump motor support, almond	59.26	71.21
6	070929	Foot insert WF pump, almond	29.73	35.72
7	071131Z	Plug drain WFE, almond, (2 req.)	9.51	11.43
8	071403	Nut, 3/8-16 brass nickel plated, 2 req.	CALL	CALL
9	071406Z	Nut, 1/4-20 hex S/S, 2 req.	12.37	14.86
10	355227Z	O-ring #238, 3.484 x .139, buna N 70	5.04	6.06
11	071652Z	Screw, 1/4, 20 x 1 LH phillips pan MS 18-8 S/S, 1 req.	4.86	5.84
12	071657Z	Screw, 1/4-20 x 1 in. hex cap 18-8 S/S, 2 req.	4.86	5.84
13	071660Z	Screw set, 4-40 x 1-1/8 WFE sckt cap 18-8 S/S, 2 req.	5.04	6.06
14	072183	Washer, flat 1/4 x 5/8 20GA thick 18-8 S/S, 2 req.	2.38	2.86
15	072184	Washer, 3/8 ID x 7/8 OD .05 thick 18-8 S/S, 6 req.	2.38	2.86
16	072928Z	Diffuser assembly, black	58.37	70.14
17	073131Z	Impeller, IntelliFlo	CALL	CALL
18	075713Z	Rubber washer, WFE pump, 1 req.	CALL	CALL
19	192115Z	O-ring 112, .487 x .103 buna -N 70, 2 req.	3.90	4.69
20	350013Z	O-ring lid CH/WF 2-436, 1 req.	5.83	7.01
21	350015Z	Housing WFE, almond	CALL	CALL
22	350202	Seal plate kit, almond w/ gasket (Items 23, 35, 36)	311.21	373.95
23	357100Z	Black Gasket for Seal plate	9.97	11.98
23	357102Z	Almond Gasket for Seal plate	CALL	CALL
24	357151Z	Lid, see thru WF.	45.21	54.32
24	357156	Lid, Chemical Resistant	104.66	125.76
25	357199Z	Clamp cam & ramp WF, almond	CALL	CALL
26	357243	Pot WF assy., almond (contains 1, 7 (qty. 2), 19 (qty. 2), 20, 21, 24, 25	738.09	886.89

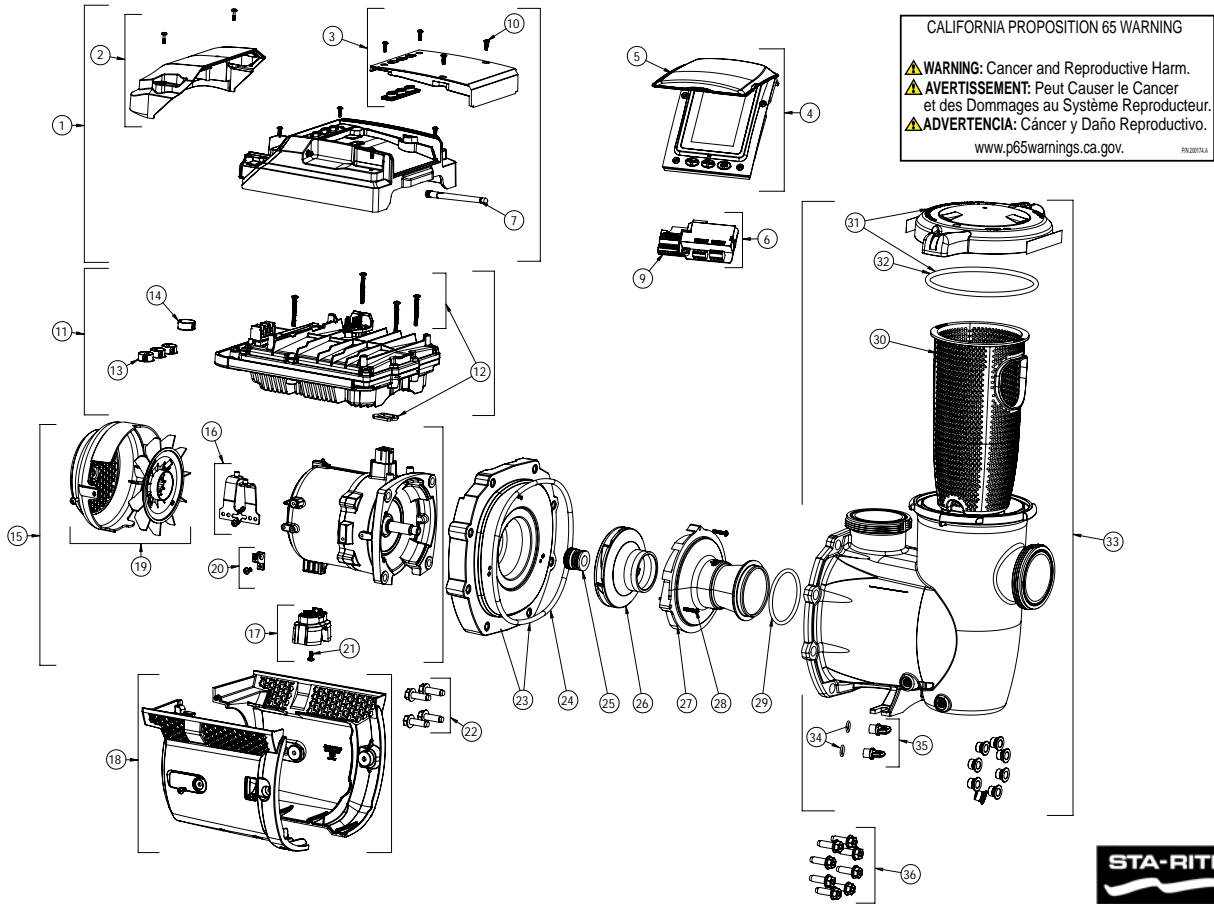
Item	Part No.	Description	US List	Can. List
27	350621	Junction Box Cover - Almond	31.36	37.68
28	350721	Drive IntelliFlo VF assy. kit, almond (contains drive VF, control cover assy.)	CALL	CALL
29	352401	Motor fan kit, almond (contains fan, shroud, hardware).	268.24	322.32
30	350601	Drive Control Cover assembly kit, almond (contains drive lid, screws, spacer caps, items 31, 32 (qty. 3), 33, 34 (qty. 3) ¹)	334.66	402.13
30	400100	Drive Control Cover assembly kit, almond (contains drive lid, screws, spacer caps, items 31, 32 (qty. 3), 33, 34 (qty. 3) ²)	334.66	402.13
31	350082	Control cover assembly (not sold individually - order item assy. kit item #30)	CALL	CALL
32	350107	Screw 10-24 x 3 1/4 in. PH MS 18-8 s/s (qty. 3)	6.47	7.77
33	350108	IntelliFlo drive gasket	13.44	16.15
34	350142	Spacer cap (qty. 3)	46.98	56.45
35	071734S	Seal Kit	46.83	56.27
	071732S	Mechanical Seal (ozone/salt resistant)	39.23	47.14
36	074564Z	Seal Plate - Almond	167.99	201.86
37	350105S	Motor VFD 3.2KW PMSM replacement, almond	CALL	CALL
NOT SHOWN				
	070112	Power end IntelliFlo VF (Contains items 2 (qty. 4), 10, 11, 13, 15, 16, 17, 18, 19, 22, 28, 37)	CALL	CALL
	350122Z	50 ft. Communication Cable	CALL	CALL
	357149	Almond Volute/Seal plate Replacement Kit (Items 1, 7 (Qty 2), 19 (Qty 2), 20, 21, 22, 23, 24, 25)	464.12	557.69
	350612	Hardware/gasket assy. kit (contains 3 screws, 3 spacer caps and drive gasket)	167.05	200.73
	357603	Union Kit (contains 2 complete unions for one pump, not included with pump).	172.60	207.40
	356198	WhisperFlo/IntelliFlo Quick Kit (includes 36, 32, 25, 6(x2), 3, and 28)	51.68	62.10
	350199	Seal Plate Kit (ozone/salt resistant)	303.94	365.21

¹ Used on pumps manufactured before 12/28/11

² Used on pumps manufactured after 12/28/11

INTELLIPRO3®

VARIABLE SPEED AND FLOW POOL PUMP REPLACEMENT PARTS



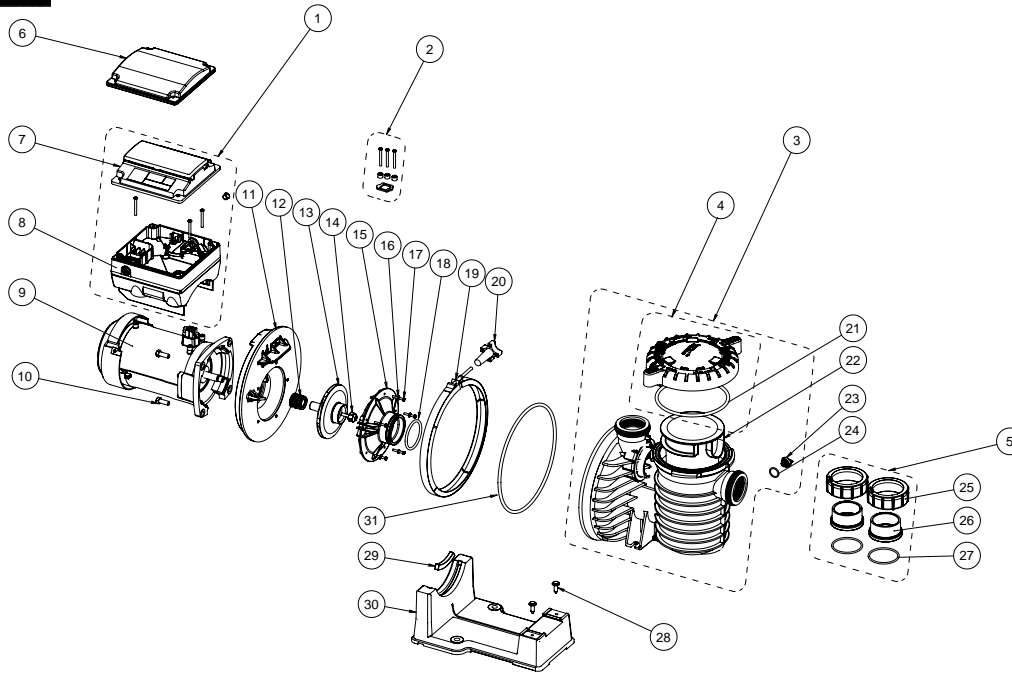
Item	Part No.	Description	US List	Can. List
SYSTEM				
1	356349z	Drive Cover Assembly	415.89	499.73
2	356337z	Field Wiring Compartment Kit	41.59	49.97
3	356338z	Blank Controller Kit	41.11	49.40
4	356348z	Touchscreen Controller Kit	600.83	721.96
5	356339z	Touchscreen Lid	31.45	37.79
6	356365z	Relay Control Board Kit	358.78	431.11
7	356226z	Antenna	17.19	20.66
—	8023304	4-Pin Connector, RS-485	CALL	CALL
9	8023306	6-Pin Connector, Relay Control Board	CALL	CALL
10	356215z	Controller Screw (x4)	6.41	7.70
11	356163z	Drive and Drive Hardware Kit	1759.53	2114.25
12	357865	Drive Hardware Kit	19.20	23.07
13	356219z	7/8" Plug, Drive (x3)	7.45	8.95
14	356320z	1" Bushing, Low Voltage, Drive	7.45	8.95
15	356165s	Motor Kit	1279.66	1537.64
16	356167z	Motor Bracket Kit	16.00	19.23
17	356341z	Motor Foot Kit	11.20	13.46
18	357870	Motor Shroud Kit	95.97	115.32
19	357866z	Motor Fan Kit	63.99	76.89
20	356166z	Bonding Lug	14.19	17.05

Item	Part No.	Description	US List	Can. List
21	356221z	Motor Foot Screw	4.46	5.36
22	074165z	Motor Bolts (x4)	17.91	21.52
23	356345z	Seal Plate Kit	143.96	172.98
24	356173z	Seal Plate O-ring	11.51	13.83
25	356210s	Shaft Seal	49.29	59.23
26	356177z	Impeller	79.97	96.09
27	356156z	Diffuser	79.97	96.09
28	356213z	Diffuser Screws (x3)	10.87	13.06
29	356190z	Diffuser O-ring	5.95	7.15
30	400007z	Strainer Basket	53.43	64.20
31	356368z	Lid Assembly	89.57	107.63
32	356189z	Lid O-ring	26.87	32.29
33	356347z	Strainer Pot Kit	399.90	480.52
34	192115z	Drain Plug O-ring (x2)	3.90	4.69
35	071131z	Drain Plug and O-ring (x2)	9.51	11.43
36	074164z	Seal Plate-to-Strainer Pot Bolts (x8)	29.87	35.89
NOT SHOWN				
—	357872	Seal Kit	35.76	42.97
—	410028	2" / 2.5" Union Kit	84.77	101.86
—	410029	3" Union Kit	94.96	114.10
—	410016z	Union O-ring - Diamond Seal	18.28	21.97
—	357833z	Riser Plate Kit - Thin (A/B Base)	57.59	69.20

INTELLIPRO® VSF PUMP/INTELLIPRO 2 VST PUMP INTELLIPRO VS PUMP - AFTER 2018



REPLACEMENT PARTS

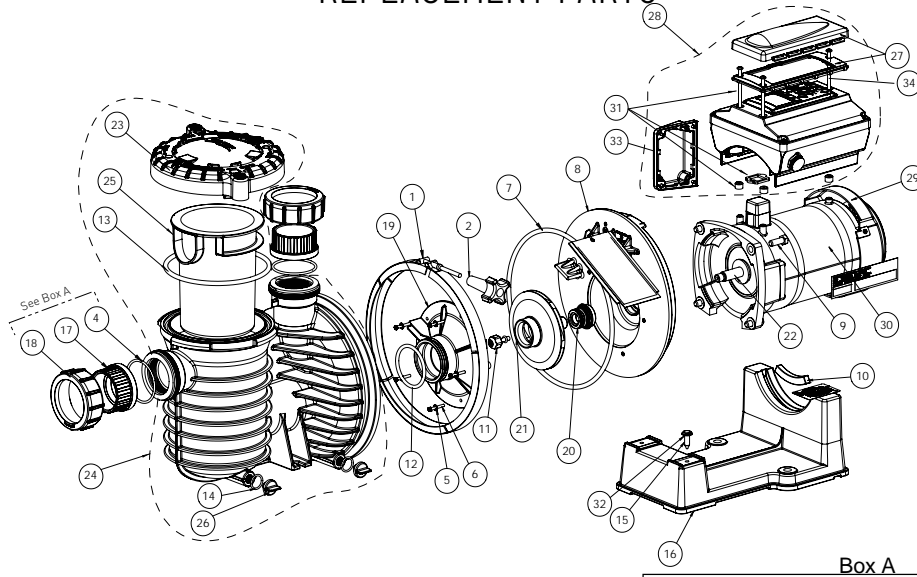


Item	Part No.	Description	US List	Can. List
INTELLIPRO PUMP				
1	353141Z	Drive Kit w/Keypad (Includes Item #2, 7 and 8) (VSF model)	CALL	CALL
1	356893Z	Drive Kit w/Keypad (Includes Item #2, 7 and 8) (2VST and VS models)	CALL	CALL
2	355685	Drive Kit Hardware Kit (Includes Drive Screws, Drive Gasket and Screw Caps)	167.05	200.73
3	17307-0110S	Tank Body Assembly (Includes Trap Cover and Items #21-24)	479.32	575.95
4	17307-0111S	Trap Cover Assembly (Includes Trap Cover and Item #21)	108.40	130.25
5	42001-0402	2" Slip Union Half Kit (Includes Items #25-27)	60.58	72.79
6	356905Z	Keypad Relocation Kit (Includes Keypad Relocation Cable and Blank Drive Cover)	114.71	137.84
7	358527Z	Keypad Assembly Kit	527.74	634.13
8	356657Z	Drive (VSF model)	CALL	CALL
8	356892Z	Drive (2VST and VS models)	CALL	CALL
9	350306S	Motor 3.2 KW Ferrite Blk	CALL	CALL
10	070429Z	Bolt, 3/8-16 X 7/8 SS Hex Head 18-8, 4 req.	4.86	5.84
11	C103-194P	Seal Plate	109.87	132.02
12	17351-0101S	Shaft Seal, EPDM black	40.29	48.41
13	C105-238PLA	Impeller Assembly	129.33	155.40
14	37337-6080	Impeller Screw	29.74	35.74
15	C1-271PZ	Diffuser	CALL	CALL
16	U43-21SS	#8 Ext Tooth Washer (Qty. 5)	2.65	3.18
17	U30-922SS	Diffuser Screw	CALL	CALL

Item	Part No.	Description	US List	Can. List
18	U9-374Z	Diffuser O-Ring	8.37	10.06
18	357098Z	Diffuser O-Ring (Blue Coating)	8.89	10.68
19	C19-37AZ	V-Clamp	CALL	CALL
20	WC36-22Z	Clamp, Knob	CALL	CALL
21	35505-1440Z	Trap O-Ring, 6.90 O.D. 6.35 I.D.	CALL	CALL
22	C8-58PZ	Trap Basket	21.27	25.56
23	U78-920PZ	Drain Plug (Qty. 2)	CALL	CALL
24	U9-359Z	Drain Plug O-Ring (Qty. 2)	CALL	CALL
25	U11-200PSZ	Union Collar (Qty. 2)	16.77	20.15
26	U11-196PSZ	2" Slip Adapter (Qty. 2)	13.86	16.65
27	U9-362Z	O-Ring #2-231 (Qty. 2)	CALL	CALL
28	U30-918SS	Base Screw, 5/16-14 x 1 in. Lg. Hi-Lo Hex (Qty2)	7.61	9.14
29	C35-11	Motor Pad	4.96	5.96
30	C4-78P	Motor Base	70.03	84.15
31	U9-228AZ	Seal Plate O-Ring (Round)	15.08	18.12
31	357099Z	Seal Plate O-Ring (Square)	15.82	19.01
NOT SHOWN				
	350122Z	50 Ft. Communication Cable	CALL	CALL
	354045	Power End - IntelliPro 2 VST and VS	3690.48	4434.48
	352501	Motor Fan Kit	268.24	322.32
	356196	Max-E-Pro / IntelliPro Quick Kit (contains 31, 12, 18, 21, 24(x2))	46.44	55.80

INTELLIPRO® VARIABLE SPEED PUMP-BEFORE 2019

REPLACEMENT PARTS



Box A

For quick disconnect pipe connections, purchase separately:

PKG 188Z 2 in. Slip 1/2 Union Kit or
Pkg. 189 2 in. NPT 1/2 Union Kit.

Includes 2 each:
U11-200P Union Collar
U9-362Z O-Ring
U11-196P 2 in. Slip adapter or U11-199P 2 in. NPT adapter.

Item	Part No.	Description	US List	Can. List
INTELLIPRO VARIABLE SPEED PUMP				
1	C19-37AZ	V-Clamp	CALL	CALL
2	WC36-22Z	Clamp, Knob	CALL	CALL
3	350122Z	Cable 50ft 2 COND, IntelliFlo to IntelliTouch (Not Shown).	CALL	CALL
4	U9- 362	Orng #2- 231 buna N 70 DU	CALL	CALL
5	U43- 21SS	#8 Ext Tooth Wshr, 5 req.	CALL	CALL
6	U30- 922SS	Mach SCR HX HD 8- 32, 5 req.	CALL	CALL
7	U9-228AZ	Seal Plate O-Ring, (Round) 1 req.	15.08	18.12
7	357099Z	Seal Plate O-Ring, (Square) 1 req.	15.82	19.01
8	C103- 194P	Sealplate.	CALL	CALL
9	U30- 74SS	3/8-16 x 1 in. HX HD SS	CALL	CALL
10	C35- 11	Motor Pad	CALL	CALL
11	37337- 6080	Impeller Screw	CALL	CALL
12	U9-374Z	Diffuser O-Ring	8.37	10.06
12	357098Z	Diffuser O-Ring (Blue Coating)	8.89	10.68
13	35505-1440Z	O-Ring 6.90 O. D 6.35 I. D	CALL	CALL
14	U9- 359	ORNG #2 - 112 N674- 70 Drain Plug	CALL	CALL
15	U30-918SS	SCR 5/16-14 x 1 in. LG HI-LO Hex	7.61	9.14
16	C4-78P	Base	70.03	84.15
17	U11-196PSZ	Adaptor Union 2 in. Slip	13.86	16.65
18	U11-200PSZ	Collar Union 2 in.	16.77	20.15
19	C1-271PZ	Diffuser	CALL	CALL
20	17351-0101S ³	Shaft Seal, EPDM black	CALL	CALL
21	C105-238PLA	Imp. Assy. 3 Phase	129.33	155.40
22	17351-0009	Slinger. Pump Shaft 1/16 in.	2.91	3.50

Item	Part No.	Description	US List	Can. List
23	17307-0111S	Trap Cover Assy. (Contains: Trap Cover, Trap Ring and Cover O- Ring)	108.40	130.25
24	17307-0110S	Tank Body Assy. Max- E- Pro Pump SVC 18 (Trap Body, Basket, Drain Plugs and Trap Cover Assy.)	479.32	575.95
25	C8-58PZ	Trap Basket	21.27	25.56
26	U78-920PZ	Drain Plug	CALL	CALL
27	350701	Cover Control Assy. Kit, Black (Contains: Cover Assy., Hardware/Gasket Kit, Inst.) ¹	334.66	402.13
27	401100	Cover Control Assy. Kit, Black (Contains: Cover Assy., 3 Screws, and 3 Spacer Caps) ²	334.66	402.13
28	353252	IntelliPro Variable Speed Drive Kit - Includes Drive and Control Cover Assy., Lid, Hardware/Gasket Kit	CALL	CALL
29	352501	Fan Motor Kit (Contains: Fan Shroud, Fan, Hardware)	268.24	322.32
30	357294S	Motor VFD 3.2KW PMSW, Black	CALL	CALL
31	350612	Hardware/Gasket Kit (Contains: 3 Screws, 3 Spacer Caps, and Drive Gasket)	167.05	200.73
32	U43-41SSZ	Washer 5/16 in.	3.93	4.72
33	353310	Field Wiring Compartment Kit w/ gasket	148.36	178.27
34	350107	Screw 10-24 x 3-1/4 in PH MS 18-8 SS (qty 3)	6.47	7.77

NOT SHOWN

070209		Power end IntelliPro Variable Speed (Contains items 5, 6, 7, 8, 11, 19, 20, 28 & 30)	CALL	CALL
356196		Max-E-Pro/IntelliPro Quick Kit (contains 20,7, 21, 12, 13, 14(x2))	46.44	55.80

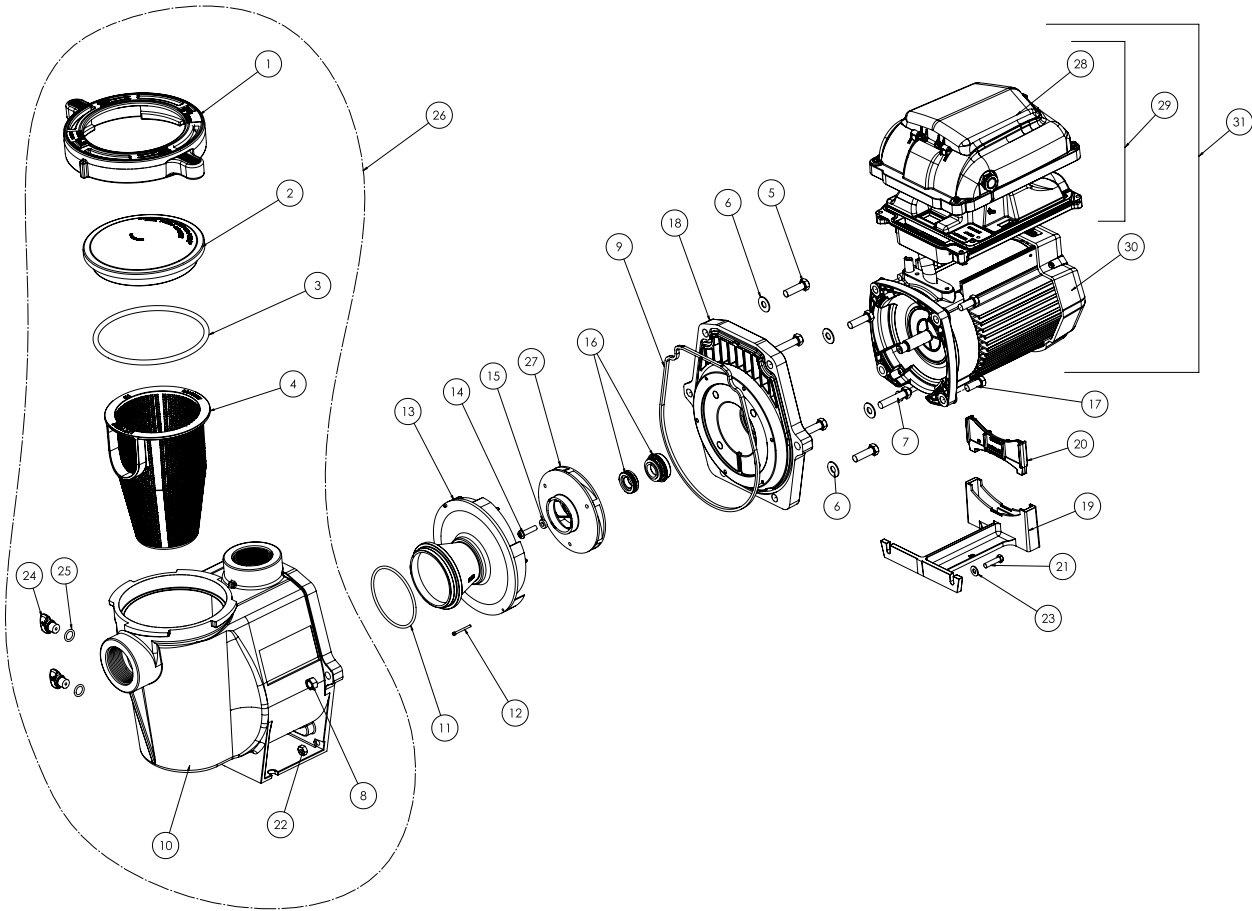
¹ Used on pumps manufactured before 7/3/13

² Used on pumps manufactured 7/3/13 and after

³ Used on pumps manufactured 7/15/14 to present

WHISPERFLO® VST

REPLACEMENT PARTS



Item	Part No.	Description	US List	Can. List
WHISPERFLO VST				
1	357199Z	Lid Clamp	CALL	CALL
2	357151Z	Lid	45.21	54.32
2	357156	Lid, Chemical Resistant	104.66	125.76
3	350013z	O-ring, Lid	5.83	7.01
4	070387z	Strainer Basket	25.85	31.06
5	070430Z	Bolt, 3/8 - 16 x 1-1/4 Hex Head. SS, 4 Req.	CALL	CALL
6	072184	Washer, 3/8 x 7/8 O.D. SS, 6 Req.	2.38	2.86
7	070431	Bolt, 3/8 - 16 x 2 Hex Head. SS, 2 Req.	4.25	5.11
8	071403	Nut, 3/8, 16 Hex Head, 2 Req.	CALL	CALL
9	357100z	Gasket, Seal Plate	9.97	11.98
10	350015Z	Strainer Pot	CALL	CALL
11	355227z	O-ring, Diffuser	5.04	6.06
12	071660z	Screw, Diffuser, 2 Req.	5.04	6.06
13	072927z	Diffuser	117.48	141.16
14	071652z	Impeller Screw, 1/4 - 20 x 1 in., LH, Phillips	4.86	5.84
15	075713Z	Washer, Impeller Screw	CALL	CALL
16	071734s	Shaft Seal, PA-7 w/ Ceramic Seat, PS1000	46.83	56.27
16	071732s	Shaft Seal, Ozone/Salt Resistant	39.23	47.14
17	070429z	Bolt, Motor/Seal Plate, 4 Req.	4.86	5.84
18	350202	Seal Plate Kit (Shaft Seal installed) (Incl. Items 9, 16 & 18)	311.21	373.95

Item	Part No.	Description	US List	Can. List
19	070927	Motor Foot	59.26	71.21
20	070929	Insert, Motor Foot	29.73	35.72
21	071657z	Screw, Motor Foot, 2 Req.	4.86	5.84
22	071406Z	Nut, Motor Foot, 2 Req.	12.37	14.86
23	072183	Washer, Motor Foot, 2 Req.	2.38	2.86
24	071131z	Drain Plug, 2 Req.	9.51	11.43
25	192115	O-ring, Drain Plug, 2 Req.	CALL	CALL
26	357149	Strainer Pot/Seal Plate Kit, (Incl. Items: 1-4, 9, 10, 16, 18, 24, and 25)	464.12	557.69
27	073130Z	Impeller	CALL	CALL
28	356279	Drive Cover	485.35	583.20
29	356282	Drive Kit	1327.11	1594.66
30	356286s	Motor	894.85	1075.25
31	356289s	Motor/Drive Assembly	CALL	CALL
NOT SHOWN				
	075455	Fluid Assembly, (Incl. All Items EXCEPT 31)	CALL	CALL
	357243	Strainer Pot Assembly, (Incl. Items 1-4, 10, 24 and 25)	738.09	886.89
	356324z	RS-485 Automation Wiring Kit	116.13	139.54
	357923z	Motor Fan Guard Kit	CALL	CALL

WHISPERFLO® PUMP (CONT'D)

REPLACEMENT PARTS

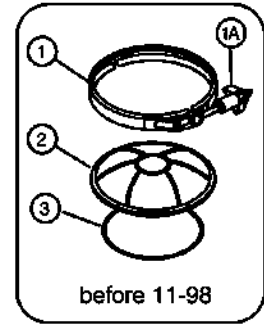
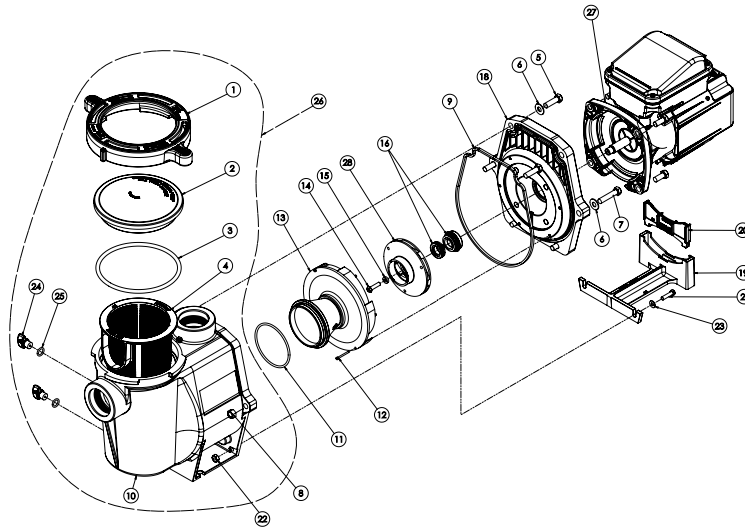
Item	Part No.	Description	US List	Can. List
MOTORS				
27	355016S	3 HP, 1SP, WFE-12,	CALL	CALL
27	350088S	3/4 HP, 2 sp., WFDS-3	CALL	CALL
27	356630S	1 HP, 2 sp., WFDS-4 & 26 ¹¹	CALL	CALL
27	071320S	1-1/2 HP, 2 sp., WFDS-6 & 28 ¹¹	CALL	CALL
27	071321S	2 HP, 2 sp., WFDS-8 & 30 ¹¹	CALL	CALL
27	355018S	1/2 HP, 1SP, WF-2, 23	CALL	CALL
27	355020S	3/4 HP, 1SP, WF-3, 24	CALL	CALL
27	355022S	1 HP, 1SP, WF-4, 26	CALL	CALL
27	355024S	1-1/2 1SP, HP, WF-6, 28	CALL	CALL
27	355026S	2 HP, 1SP, WF-8, 30	CALL	CALL
27	355002S	1/2 HP, 3PH, 1SP	CALL	CALL
27	354805S	1 HP, 3PH, 1SP, WFK-4	664.45	798.40
27	354807S	1.5 HP, 3PH, 1SP, WFK-6	826.13	992.68
27	354809S	2 HP, 3PH, 1SP, WFK-8	921.65	1107.45
27	354811S	3 HP, 3PH, 1SP, WFK-12	1115.65	1340.57
IMPELLERS				
28	073126	Impeller (WF-2, WF-23, WFE-2, WFK-2,)	154.26	185.36
28	073127Z	Impeller (WFE-3, WFE-24, WF-3, WF-24, WFK-3, WFDS-3, WFDS-24)	CALL	CALL
28	073128Z	Impeller (WFE-4, WFE-26, WF-4, WF-26, WFK-4, WFDS-4, WFDS-26)	CALL	CALL
28	073129Z	Impeller (WF-6, WF-28, WFE-6, WFE-28, WFK-6, WFDS-6, WFDS-28)	CALL	CALL
28	073130Z	Impeller (WF-8, WF-30, WFE-8, WFE-30, WFK-8, WFDS-8, WFDS-30)	CALL	CALL
28	073131Z	Impeller (WFE-12, WF-12, WFK-12)	CALL	CALL
POWER END SUBASSY. INCLUDES ITEMS No. 12 THRU 18, 27, 28, CONT.				
	075145	WFDS-3, WFDS-24	CALL	CALL
	075136	WFE-2	CALL	CALL
	075138	WFE-4, WFE-26 ³	CALL	CALL
	075139	WFE-6, WFE-28 ³	CALL	CALL
	075140	WFE-8, WFE-30 ³	CALL	CALL
	075141	WFE-12 ³	CALL	CALL
	075142	WFDS-4, WFDS-26 ¹¹	CALL	CALL
	075143	WFDS-6, WFDS-28 ¹¹	CALL	CALL
	075144	WFDS-8, WFDS-30 ¹¹	CALL	CALL
	075253	WF-4, WF-26 ¹⁰	CALL	CALL
	075255	WF-8, WF-30 ¹⁰	CALL	CALL

Item	Part No.	Description	US List	Can. List
FLUID ENDS-ALL PARTS, W/O MOTOR				
	075452	WFE-3 fluid end, 3/4 HP	CALL	CALL
	075453	WFE-4 fluid end, 1 HP	CALL	CALL
	075454	WFE-6 fluid end, 1-1/2 HP	CALL	CALL
	075455	WFE-8 fluid end, 2 HP	CALL	CALL
	075456	WFE-12 fluid end, 3 HP	CALL	CALL
NOT SHOWN				
	79129900	2-Speed Toggle Switch with Mounting plate	75.42	90.62
	350202	Seal Plate Kit: Seal plate (almond), Gasket (black), with installed Seal (Includes items 9, 16, & 18)	311.21	373.95
	350203	Seal Plate Kit: Seal plate (black), Gasket (black), with installed Seal (Includes items 9, 16, & 18)	311.21	373.95
	356198	WhisperFlo/IntelliFlo Quick Kit (includes 16, 9, 11, 3, 145, 25(x2))	51.68	62.10
	357243	Pot Assembly, Almond NPT. (Includes items 1-4, 10, 24 (qty. 2), 25 (qty. 2))	738.09	886.89
	357244	Pot Assembly, Black NPT. (Includes items 1-4, 10, 24 (qty. 2), 25 (qty. 2))	738.09	886.89
	355002S	Motor for Pump 340061	CALL	CALL
	400013Z	ODP Motor End Cap and Screw	40.15	48.24
	357923Z	Fan Guard Kit TEFC/Super-Duty	CALL	CALL
	350199	Seal Plate Kit (ozone/salt resistant)	303.94	365.21

- ¹ Used on pumps manufactured before 6-94.
- ² Used on pumps manufactured after 6-94.
- ³ Energy efficient single phase.
- ⁴ Pumps manufactured before 11-98 require a volute replacement kit (357149) when replacing items No.9-gasket, No.10-volute, or No.18-seal plate. This kit will update the pump to the new configuration using the "Cam and Ramp" lid design.
- ⁵ Used on pumps manufactured before 11-98.
- ⁶ Used on pumps manufactured after 11-98. Includes items 1-4, 9, 10, 16, 18, 24, 25.
- ⁷ Used on pumps manufactured between 11-98 thru 12-17-99.
- ⁸ Used on pumps manufactured after 12-17-99.
- ⁹ CSA/CUL (only) for Canada.
- ¹⁰ Standard efficiency, single phase.
- ¹¹ Two Speed, single phase.
- ¹² Includes items 16 & 18.
- ¹⁴ 2-1-08 to present.
- ¹⁵ 1-31-08 and prior.

WHISPERFLO® PUMP

REPLACEMENT PARTS



Item	Part No.	Description	US List	Can. List
WHISPERFLO PUMPS				
1	070711	Clamp band assembly, SS, WF/AQ ⁵ (old style)	136.46	163.97
1	357150	Clamp, Cam & Ramp™, plastic, black, WF ⁷	73.69	88.55
1	357199Z	Clamp, Cam & Ramp, plastic, almond, WF ⁸	CALL	CALL
1A	071136Z	Knob, only ⁵	35.63	42.81
2	070795	Cover, clear, AQ/WFE pump ⁵ (old style)	77.16	92.72
2	357151Z	Cover, clear, WFE pump ⁶	45.21	54.32
2	357156	Cover, chemical resistant Cam & Ramp	104.66	125.76
3	071422	O-ring, AQ/WFE cover ⁵	10.70	12.86
3	350013Z	O-ring, WFE cover ⁶	5.83	7.01
4	070387Z	Basket	25.85	31.06
5	070430Z	Bolt, 3/8, 16 x 1-1/4 hex hd. SS, 4 req.	CALL	CALL
6	072184	Washer, 3/8 x 13/16 o.d. SS, 6 req.	2.38	2.86
7	070431	Bolt, 3/8, 16 x 1-3/4 hex hd. SS, 2 req.	4.25	5.11
8	071403	Nut, 3/8, 16 hex hd., 2 req.	CALL	CALL
9	071445	O-ring parker No.2-265, WFE pump ^{1,4}	26.65	32.02
9	357100Z	Black Gasket for Seal Plate ¹⁴	9.97	11.98
9	357102Z	Almond Gasket for Seal Plate ¹⁵	CALL	CALL
10	357149	Volute & Sealplate, Almond Replacement Kit ⁶	464.12	557.69
10	350015Z	Volute, almond	CALL	CALL
10	357157	Volute, black	352.73	423.84
11	355227Z	O-ring parker No.2-238, WFE pump	5.04	6.06
12	071660Z	Set screw, 4-40 x 1-1/8 WFE, 2 req.	5.04	6.06
13	072928Z	Diffuser assembly, WFE-12, 3 HP; WFK-12, 3HP models	58.37	70.14
13	072927Z	Diffuser assembly, WFE-2-8, 1/2 HP - 2-1/2 HP	117.48	141.16
14	071652Z	Set screw, 1/4, 20 x 1 lh. phillips	4.86	5.84

Item	Part No.	Description	US List	Can. List
15	075713Z	Rubber washer, WFE pump	CALL	CALL
16	071734S	Seal PA-7 w/ ceramic seat, PS1000	46.83	56.27
16	071732S	Mechanical Seal (ozone/salt resistant)	39.23	47.14
17	070429Z	Bolt, 3/8-16 X 7/8 SS Hex Head 18-8, 4 req.	4.86	5.84
18	350202	Seal Plate Kit, Almond with Gasket (Includes Mechanical Seal Installed and Seal Plate Gasket) Items 9, 16 & 18	311.21	373.95
18	350101	Seal Plate Kit WFE Black (Includes Mechanical Seal installed) Items 16 & 18	CALL	CALL
19	070927	Foot, WFE-4 pump, almond	59.26	71.21
19	357159	Foot, black ⁹	59.26	71.21
20	070929	Foot insert, WFE pump, almond	29.73	35.72
20	357160	Foot insert, WFE pump, black ⁹	29.73	35.72
21	071657Z	Screw, 1/4, 20 x 1 in. hh. SS, 2 req.	4.86	5.84
22	071406Z	Nut, 1/4, 20 hex. hd. SS, 2 req.	12.37	14.86
23	072183	Washer, flat 1/4 x 5/8, 2 req.	2.38	2.86
24	071131Z	Knob plug drain, almond (2 req.)	9.51	11.43
24	357161Z	Knob plug drain, 2 req., black ⁹	7.80	9.37
25	192115Z	O-Ring drain plug, 2 req.	3.90	4.69
26	357149	Almond Volute/Seal plate kit ⁶ (Includes items 1-4, 9, 10, 16, 18, 24, 25.)	464.12	557.69
MOTORS				
27	356363S	1.1 THP Motor	671.26	806.59
27	354803S	3/4 HP, 1SP, TEFC	CALL	CALL
27	354821S	1 HP, 1SP, TEFC, WFET- 4	622.43	747.91
27	354823S	1-1/2 HP, 1SP, TEFC, WFET- 6	733.14	880.94
27	354815S	2 HP, 1SP, TEFC, WFET- 8	873.51	1049.61
27	354817S	3 HP, 1SP, TEFC, WFET- 12	1141.45	1371.57
27	355008S	3/4 HP, 1SP, WFE- 2, 3 & 24	CALL	CALL
27	355010S	1 HP, 1SP, WFE- 4 & 26	CALL	CALL
27	355012S	1-1/2 HP, 1SP, WFE- 6 & 28	CALL	CALL
27	355014S	2 HP, 1SP, WFE-8 & 30	CALL	CALL

MAX-E-PRO® SERIES DOE PUMP

REPLACEMENT PARTS

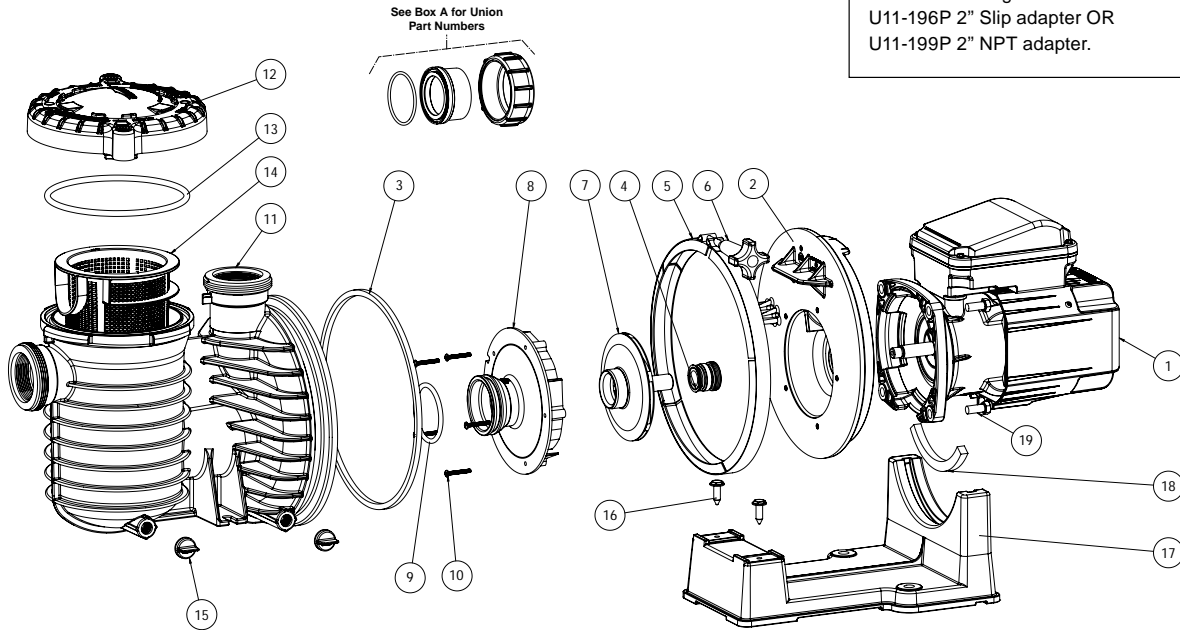


Box A

For quick disconnect pipe connections, purchase separately:
 Pkg. 188 2" Slip 1/2 Union Kit or
 Pkg. 189 2" NPT 1/2 Union Kit.

Kit Includes:

- U11-200P Union Collar
- U9-362Z O-Ring
- U11-196P 2" Slip adapter OR
- U11-199P 2" NPT adapter.



Replacement Parts for Product #348185

Item	Part No.	Description	US List	Can. List
MAX-E-PRO SERIES DOE REPLACEMENT PARTS				
1	356362S	Motor	671.26	806.59
2	C203-194P	Seal Plate Kit (Incl. Item# 3-4)	258.28	310.35
3	357099	Gasket, Seal Plate to Housing	CALL	CALL
4	17351-0101S	Shaft Seal	40.29	48.41
5	C19-37AZ	Band Clamp	CALL	CALL
6	WC36-22Z	Band Clamp Knob	CALL	CALL
7	C105-238PDOEZ	Impeller	127.00	152.60
8	356359Z	Diffuser	108.85	130.79
9	357098Z	Diffuser O-Ring (Blue Coating)	8.89	10.68
10	357841Z	Diffuser Screw Kit	10.87	13.06

Item	Part No.	Description	US List	Can. List
11	17307-0110S	Trap Body Assembly (Incl. Item# 12-15)	479.32	575.95
12	17307-0111S	Trap Cover Assembly (Incl. Item# 12-13)	108.40	130.25
13	35505-1440Z	Trap O-Ring	CALL	CALL
14	C8-58P	Basket	CALL	CALL
15	U178-920P	Drain Plug, 1/4" NPT (Qty. 2)	CALL	CALL
16	U30-918SS	Base Screw (Qty. 2)	7.61	9.14
17	C4-79P	Base	70.03	84.15
18	C35-43	Motor Pad	8.39	10.08
19	U30-74SS	Screw, 3/8-16 x 1" Hex Head (Qty. 4)	6.76	8.12
—	357810	Fan Guard Kit	CALL	CALL

MAX-E-PRO® SERIES PUMP

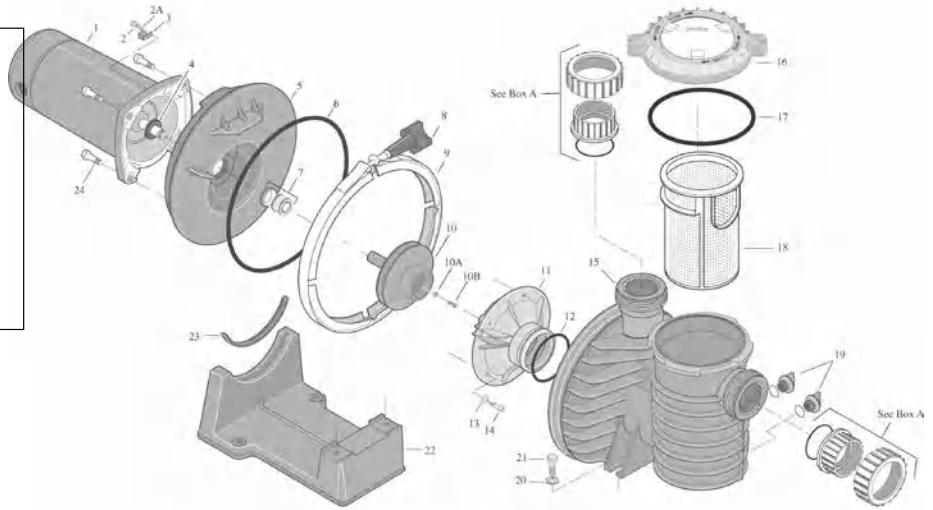
REPLACEMENT PARTS

Box A

For quick disconnect pipe connections, purchase separately:
 PKG 188Z 2 in. Slip 1/2 Union Kit or
 Pkg. 189 2 in. NPT 1/2 Union Kit.

Includes 2 each:
 U11-200P Union Collar
 U9-362Z O-Ring

U11-196P 2 in. Slip adapter or
 U11-199P 2 in. NPT adapter.



Model No.	HP	Motor No. (Item No. 1)	Impeller (Item No. 10)	Diffuser (Item No. 11)	Motor Base/Pad
1 PHASE 60 HZ PUMPS - TEFC 1-Speed					
348150	1	354822S	C105-238PBZ	C1-271P1Z	Note 6
348151	1-1/2	354824S	C105-238PDBAZ	C1-271PZ	Note 6
348152	2	354816S	C105-238PEBA	C1-271PZ	Note 6
348153	3	354818S	C105-238PLA	C1-271PZ	Note 6
1 PHASE 60 HZ PUMPS - 115/230 V 1-Speed					
P6E6C-204L	1/2	AE100CHL	C105-238PX	C1-271P1Z	Note 5
P6E6D-205L	3/4	AE100DHL	C105-238P	C1-271P1Z	Note 5
P6R6D-205L	3/4	355021S	C105-238P	C1-271P1Z	Note 6
P6E6E-206L	1	AE100EHL	C105-238PBZ	C1-271P1Z	Note 5
P6EA6E-205L	1	AE100ELL	C105-238P	C1-271P1Z	Note 5
P6RA6E-205L	1	355021S	C105-238P	C1-271P1Z	Note 6
P6R6E-206L	1	355023S	C105-238PBZ	C1-271P1Z	Note 6
P6EA6F-206L	1-1/2	AE100FLL	C105-238PBZ	C1-271P1Z	Note 5
P6RA6F-206L	1-1/2	355023S	C105-238PBZ	C1-271P1Z	Note 6
P6R6F-207L	1-1/2	355025S	C105-238PDBAZ	C1-271PZ	Note 6
1 PHASE 60 HZ PUMPS - 230V 1-Speed					
P6E6F-207L	1-1/2	AE100FHL	C105-238PDBAZ	C1-271PZ	Note 5
P6EAA6F-216L	1-3/4	AE100F5LL	C105238PDCA	C1-271PZ	Note 5
P6RAA6F-216L	1-3/4	A100F5LL	C105-238PDCA	C1-271PZ	Note 5
P6E6G-208L	2	AE100GHL	C105-238PEBA	C1-271PZ	Note 5
P6EA6G-207L	2	355025S	C105-238PDBAZ	C1-271PZ	Note 5
P6RA6G-207L	2	AE100GHL	C105-238PDBAZ	C1-271PZ	Note 6
P6R6G-208L	2	355027S	C105-238PEBA	C1-271PZ	Note 6
P6EAA6G-208L	2-1/2	AE100G5LL	C105-238PEBA	C1-271PZ	Note 5
P6E6H-209L	3	AE100HLL	C105-238PLA	C1-271PZ	Note 6
P6R6H-209L	3	355034S	C105-238PLA	C1-271PZ	Note 6

MAX-E-PRO® SERIES PUMP (CONT'D)

REPLACEMENT PARTS



Model No.	HP	Motor No. (Item No. 1)	Impeller (Item No. 10)	Diffuser (Item No. 11)	Motor Base/Pad
1 PHASE 60 HZ PUMPS - 2-Speed					
P6RA6YF-206L	1-1/2 (Hi Speed), 1/4 (Low Speed)	A100FLL-Y	C105-238PBA ³	C1-271P1Z	Note 5
P6RA6YG-207L	2 (Hi Speed), 1/3 (Low Speed)	AE100GLL-Y	17307-0116 ⁵ , C105-238PDBAZ	C1-271PZ	Note 5
3 PHASE 60 HZ PUMPS - 208-230/460 - TEFC					
345076	1	354806S	C105-238PBA ⁴	C1-271P1Z	Note 6
345077	1-1/2	354808S	C105-238PDBAZ ⁴	C1-271PZ	Note 6
345078	2	354810S	C105-238PEBA ⁴	C1-271PZ	Note 6
345079	3	354812S	C105-238PLA ⁴	C1-271PZ	Note 6
3 PHASE 60 HZ PUMPS - 200/400v 1 Speed					
P6R62D3-186	3/4	AP100DH2	C105-238A ⁴	C1-271P1Z	Note 5
P6R62E3-187	1	AP100EH2	C105-238PBA ³	C1-271P1Z	Note 5
P6R62F3-188	1-1/2	AP100FH2	C105-238PDBAZ ⁴	C1-271PZ	Note 5
P6R62G3-189	2	AP100GH2	C105-238PEBA ⁴	C1-271PZ	Note 5
3-Phase Models: - 575 Volts					
P6EA6D36-204	3/4	16502-0024S	C105-238PX ⁴ A	C1-271P1Z	Note 6
P6EA6E36-205	1	16503-0024S	C105-238P ⁴ A	C1-271P1Z	Note 6
P6EA6F36-206	1-1/2	62001-1019S	C105-238PBA ⁴	C1-271P1Z	Note 5
P6EA6G36-207	2	62003-2087	C105-238PDBAZ ⁴	C1-271PZ	Note 5

Item	Part No.	Description	US List	Can. List
MAX-E-PRO SERIES REPLACEMENT PARTS				
1	Chart	Motor		
2	U30-692SS	#10-32 x 1/2 in. Screw	3.14	3.77
2A	U43-22SS	Lock Washer	2.85	3.42
3	U17-568	Bonding Lug	CALL	CALL
4	17351-0009	Water Slinger	2.91	3.50
5	C203-194P	Seal Plate Kit (Incl. Part Nos. 6, 7)	258.28	310.35
6	U9-228AZ	O-Ring (Round)	15.08	18.12
6	357099Z	O-Ring (Square)	15.82	19.01
7	17351-0101S	Shaft Seal, EDPM black	40.29	48.41
8	WC36-22Z	Clamp Knob	CALL	CALL
9	C19-37AZ	Clamp	CALL	CALL
10	Chart	Impeller		
10A	35505-1426	Impeller Screw O-Ring	1.62	1.95
10B	Chart	Impeller Screw		
11	Chart	Diffuser		
12	U9-374Z	Diffuser O-Ring	8.37	10.06
12	357098Z	Diffuser O-Ring (Blue Coating)	8.89	10.68
13	U43-21SS	#8 Lock Washer	2.65	3.18
14	U30-542SSZ	Screw (w/ C1-271P1Z Diffuser)	CALL	CALL
15	17307-0110S	Tank Body Assembly ²	479.32	575.95
16	17307-0111S	Trap Cover Assembly ¹	108.40	130.25
17	35505-1440Z	Trap O-Ring	CALL	CALL

Item	Part No.	Description	US List	Can. List
18	C8-58PZ	Basket	21.27	25.56
19	U178-920PZ	1/4 in. NPT Drain Plug	7.80	9.37
19	U9-359Z	Drain Plug O-Ring	CALL	CALL
20	U43-41SSZ	Base Washer	3.93	4.72
21	U30-918SS	Base Screw	7.61	9.14
22	C4-78P	Base	70.03	84.15
22	C104-79P	Base w/ Motor Pad	71.67	86.12
23	C35-43	Motor Pad	8.39	10.08
23	C35-44	Motor Pad	12.39	14.89
24	U30-74SS	3/8-16 x 1 in. Hex Hd. Screw	6.76	8.12
	357924Z	Fan Guard Kit TEFC/Super-Duty	CALL	CALL
	356196	Max-E-Pro/IntelliPro Quick Kit (includes 6, 7, 10A, 12, 20(x2), 17)	46.44	55.80

¹ Includes Trap Cover, Trap Ring and Trap Cover O-Ring

² Includes Trap Body, Basket, Drain Plugs, and Trap Cover Assembly

³ Uses Key No. 10B Impeller Screw No. 37337-6080

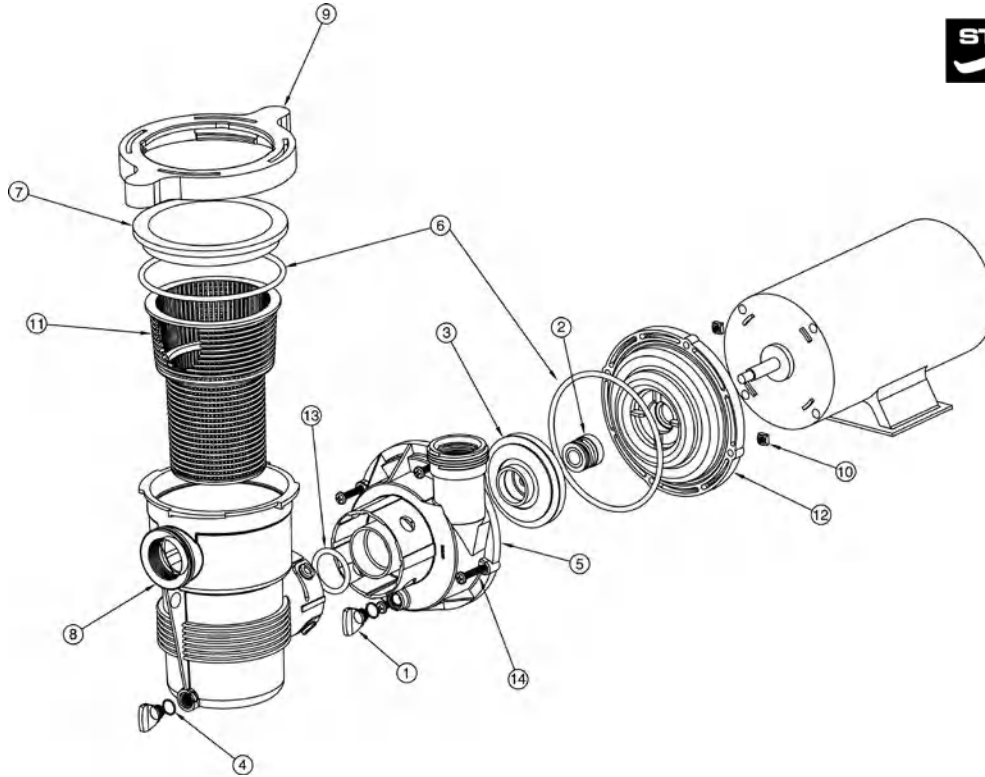
⁴ Uses Key No. 10B Impeller Screw No. 37337-6081

⁵ Uses base C4-78P and motor pad C35-43

⁶ Uses base C104-79P and includes motor pad C35-44

OPTIFLO® PUMP

PENTAIR AND STA-RITE REPLACEMENT PARTS

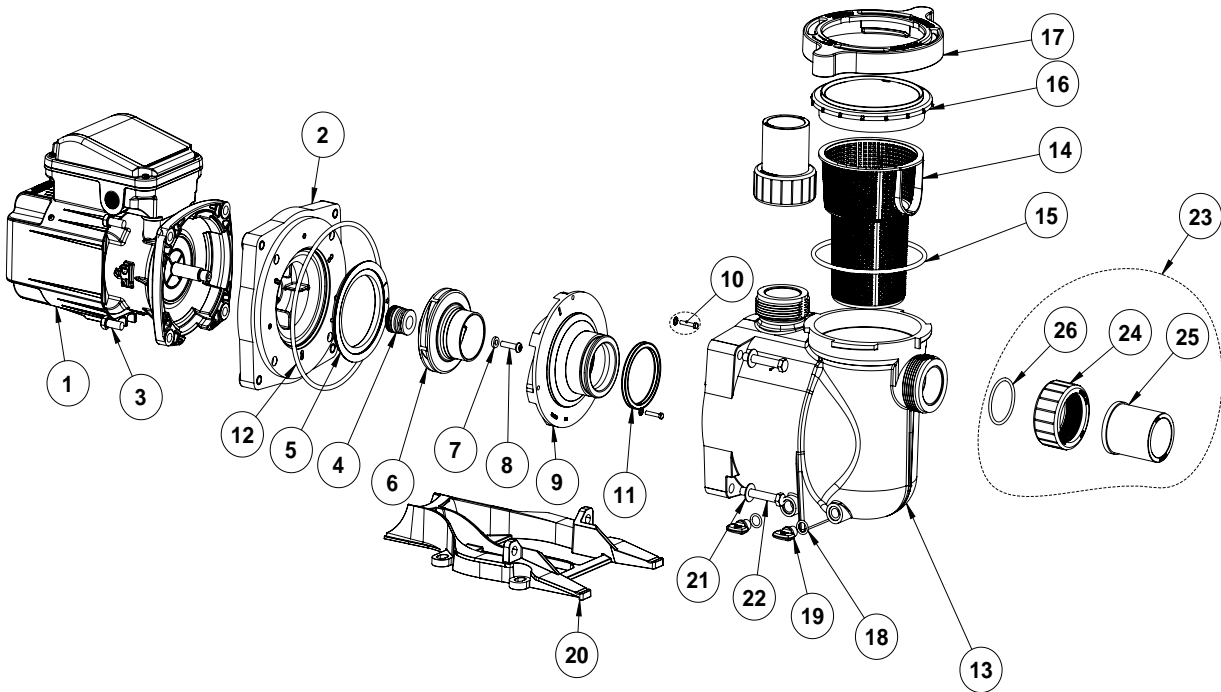


Item	Part No.	Description	US List	Can. List
OPTIFLO PUMPS				
1	357161Z	Drain plug	7.80	9.37
2	354545S	Mechanical seal	44.23	53.15
3	350017	Impeller, 1 HP	93.27	112.07
3	354552	Impeller, 3/4 HP	45.56	54.74
3	350018	Impeller, 1-1/2 HP	98.85	118.78
4	192115Z	O-ring	3.90	4.69
5	357213	Volute ¹	42.52	51.09
6	357255Z	O-ring 2-357	8.53	10.25
7	357227	Lid	18.45	22.17
7	357323	Chemical Resistant Lid	CALL	CALL
8	357228Z	Pot ¹	CALL	CALL
9	357239	Clamp ring	22.32	26.82
10	357254	1/4-20 Square nut	2.18	2.62
11	355667Z	Basket	CALL	CALL
12	357215	Seal plate	52.77	63.41
13	350103	O-ring 2-130	8.53	10.25
14	98209000	1/4-20 x 1-1/2 Machine screw	3.14	3.77
NOT SHOWN				
	79137800	3 ft. cord - standard	99.42	119.46
	155234	3 ft. cord - TW	119.97	144.16

¹ Includes drain plugs.

SUPERMAX® DOE PUMP

REPLACEMENT PARTS



Replacement Parts for Product #348191

Item	Part No.	Description	US List	Can. List
SUPERMAX DOE PUMPS				
1	356362S	Motor	671.26	806.59
2	355612	Seal Plate	134.63	161.77
3	070249	Bolt, Motor (Qty. 4)	CALL	CALL
4	354545SS	Shaft Seal Set	CALL	CALL
5	356357Z	Hydraulic Isolator	36.29	43.61
6	356356Z	Impeller	90.70	108.99
7	075713Z	Washer, Impeller Screw	CALL	CALL
8	071652Z	Screw, Impeller	4.86	5.84
9	356358Z	Diffuser	141.50	170.03
10	356213Z	Screw, Diffuser #8-32 X 7/8" (Qty. 3)	10.87	13.06
11	355030	Diffuser Seal	CALL	CALL
12	355619	O-Ring, Seal Plate	CALL	CALL
13	351089	Strainer Pot	422.73	507.95

Item	Part No.	Description	US List	Can. List
14	355667Z	Strainer Basket	CALL	CALL
15	357255	O-Ring, Lid	CALL	CALL
16	350091Z	Lid	CALL	CALL
17	351090	Locking Ring	62.53	75.14
18	192115Z	O-Ring, Drain Plug, (Qty. 2)	3.90	4.69
19	357161Z	Drain Plug (Qty. 2)	7.80	9.37
20	351094	Base	148.72	178.70
21	072184	Washer, Strainer Pot, (Qty. 4)	2.38	2.86
22	355621	Bolt, Strainer Pot (Qty. 4)	7.71	9.26
23	351157	Union Kit (Includes Items 24-26)	130.75	157.11
24	270141Z	Union Nut (Qty. 2)	CALL	CALL
25	350093	Union Adapter (Qty. 2)	28.10	33.76
26	6020018Z	Union O-Ring (Qty. 2)	CALL	CALL
—	357810	Motor Fan Guard	CALL	CALL

SUPERMAX® PUMP (CONT'D)

REPLACEMENT PARTS

Item	Part No.	Description	US List	Can. List
SINGLE SPEED SUPERMAX MOTORS				
1	354804S	3/4HP, 1SP, 1PH, TEFC, 115/208-230	CALL	CALL
1	354822S	1HP, 1SP, 1PH, TEFC, 115/208-230	622.43	747.91
1	354824S	1-1/2HP, 1SP, 1PH, TEFC, 208-230	733.14	880.94
1	354816S	2HP, 1SP, 1PH, TEFC, 208-230	873.51	1049.61
1	355019S	1/2 HP Motor, SQFL, 1 sp, 1 ph, 60 hz, 115/208-230, Black	CALL	CALL
1	355019S	3/4 HP Motor, SQFL, 1 sp, 1 ph, 60 hz, 115/208-230, Black	CALL	CALL
1	355021S	1 HP Motor, SQFL, 1 sp, 1 ph, 60 hz, 2115/208-230, Black	CALL	CALL
1	355023S	1-1/2 HP Motor, SQFL, 1 sp, 1 ph, 60 hz, 115/208-230, black	CALL	CALL
1	355025S	2 HP Motor, SQFL, 1 sp, 1 ph, 60 hz, 115/208-230, Black	CALL	CALL
1	355027S	2-1/2 HP Motor, SQFL, 1 sp, 1 ph, 60 hz, 208-230, Black	CALL	CALL
2 SPEED SUPERMAX MOTORS				
1	355232S	1 HP Motor, SQFL, 2 sp, 1 ph, 60 hz, 230V, Black	CALL	CALL
1	355376S	1-1/2 HP Motor, SQFL, 2 sp, 1 ph, 60 hz, 230V, Black	CALL	CALL
1	355377S	2 HP Motor, SQFL, 2 sp, 1 ph, 60 hz, 230V, Black	CALL	CALL
EFFICIENT SUPERMAX MOTORS				
1	355009S	1/2 HP Motor SQFL, 1 Speed, 1 phase, 60 Hz, 115/208-230, black	CALL	CALL
1	355009S	3/4 HP Motor SQFL, 1 Speed, 1 phase, 60 Hz, 115/208-230, black	CALL	CALL
1	355009S	1 HP Motor SQFL, 1 Speed, 1 phase, 60 Hz, 115/208-230, black	CALL	CALL
1	355011S	1.5 HP Motor SQFL, 1 Speed, 1 phase, 60 Hz, 115/208-230, black	CALL	CALL
1	355013S	2 HP Motor SQFL, 1 Speed, 1 phase, 60 Hz, 208-230, black	CALL	CALL
1	355015S	2.5 HP Motor SQFL, 1 Speed, 1 phase, 60 Hz, 208-230, black	CALL	CALL
SUPERMAX PUMPS				
2	355612	Seal Plate, Black	134.63	161.77
3	351094	Base, Black	148.72	178.70
4	351090	Clamp, Ramp & Cam, Black	62.53	75.14
5	350091Z	Lid	CALL	CALL
6	357255Z	O-ring, Lid #2-357	8.53	10.25
7	351089	Volute, Black	422.73	507.95

Item	Part No.	Description	US List	Can. List
8	350093	Adapter, 2 req.	28.10	33.76
9	270141Z	Nut, 2 req.	CALL	CALL
10	192115Z	O-Ring Drain Plug, 2 req.	3.90	4.69
11	357161Z	Drain Plug, 2 req.	7.80	9.37
12	355621	ScREW 3/4-16 x 2-1/4 HEX HD,4 req.	7.71	9.26
13	072184	Washer 3/8 in. S/S, 4 req.	2.38	2.86
14	355619Z	O-Ring Seal Bracket	16.72	20.09
15	6020018Z	O-Ring Adapter #2-226, 2 req.	CALL	CALL
16	355030Z	Seal Diffuser	14.49	17.41
17	355334Z	Screw #8-32 HEX Washer HD, 3 req.	4.86	5.84
22	354545S	Seal Set	44.23	53.15
	356210S	Seal, mechanical, ozone/salt resistant	49.29	59.23
23	355667Z	Basket, Large	CALL	CALL
24	351157	SuperMax Union Kit (includes 2 of Items 8, 9, & 15)	130.75	157.11
SUPERMAX DIFFUSERS				
18	355617	Diffuser, 1/2 HP	148.31	178.21
18	355617	Diffuser, 3/4 HP	148.31	178.21
18	355617	Diffuser, 1 HP	148.31	178.21
18	355618	Diffuser, 1-1/2 HP	148.31	178.21
18	355618	Diffuser, 2 HP	148.31	178.21
18	350170	Diffuser, 2-1/2 HP	146.07	175.52
19	070429Z	Bolt, 3/8-16 X 7/8 SS Hex Head 18-8, 4 req.	4.86	5.84
SUPERMAX IMPELLERS				
20	355043	Impeller 1/2 HP	84.10	101.05
20	355043	Impeller 3/4 HP	84.10	101.05
20	355067Z	Impeller 1 HP	CALL	CALL
20	355074Z	Impeller 1-1/2 HP	CALL	CALL
20	355086Z	Impeller 2 HP	CALL	CALL
20	355093	Impeller 2-1/2 HP	88.97	106.91
20	355067Z	Impeller 1 HP, 2-SPD	CALL	CALL
20	355074Z	Impeller 1-1/2 HP, 2-SPD	CALL	CALL
20	355086Z	Impeller 2 HP, 2-SPD	CALL	CALL
21	355389Z	Screw, Impeller Locking	CALL	CALL
NOT SHOWN				
	79129900	2-Speed Toggle Switch	75.42	90.62
	401014Z	Motor End Cap and Screw	40.15	48.24
	357924Z	Fan Guard Kit TEFC/Super-Duty	CALL	CALL

SUPERFLO® VS/VST VARIABLE SPEED PUMP- AFTER OCTOBER 2020

SUPERMAX® VS VARIABLE SPEED PUMP- AFTER OCTOBER 2020

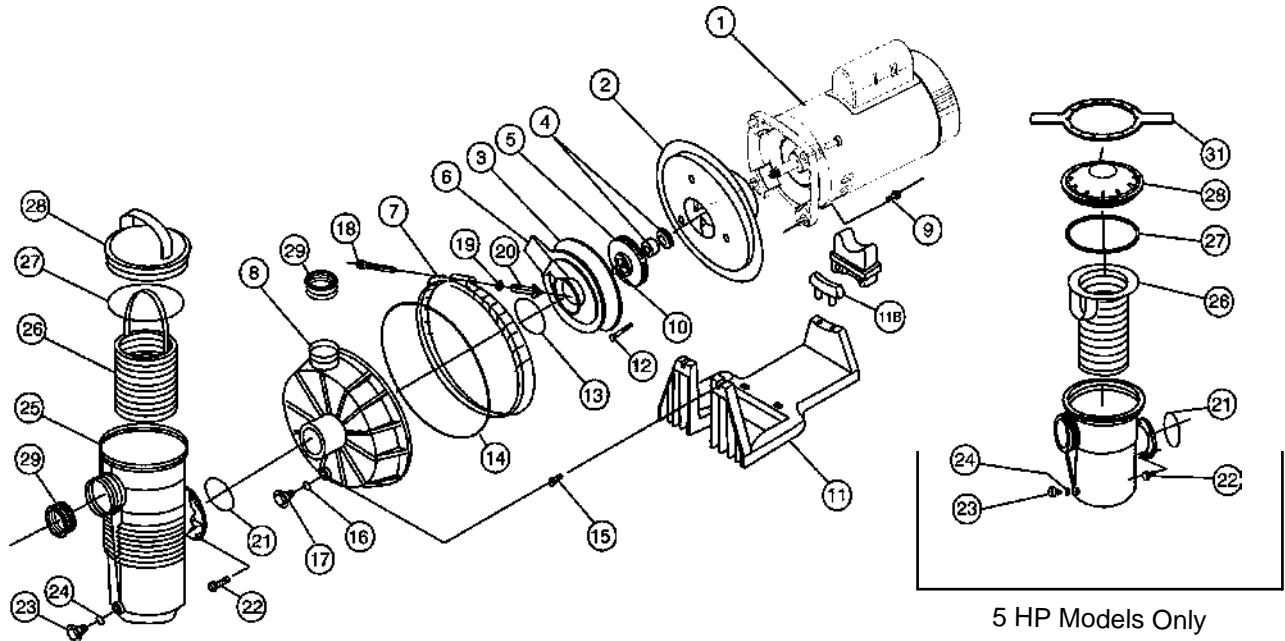
REPLACEMENT PARTS

Item	Part No.	Description	US List	Can. List
SUPERFLO VS/VST & SUPERMAX VS VARIABLE SPEED PUMPS				
1	353123	Drive Cover, Almond	458.94	551.46
1	356279	Drive Cover (RS-485), Almond	485.35	583.20
1	356280	Drive Cover (RS-485), Black	485.35	583.20
2	356282	Drive Kit , (RS-485), Almond	1327.11	1594.66
2	356283	Drive Kit, (RS-485), Black	1327.11	1594.66
3	356286S	Motor TEFC, Almond	CALL	CALL
3	356287S	Motor TEFC, Black	CALL	CALL
4	356288S	Motor/Drive Assembly, Almond	CALL	CALL
4	356289S	Motor/Drive Assembly (RS-485), Almond	CALL	CALL
4	356290S	Motor/Drive Assembly (RS-485), Black	CALL	CALL
5	356071Z	Sealplate ⁴ , Almond	134.62	161.76
5	356072Z	Sealplate, Black	134.62	161.76
6	355619Z	Sealplate Gasket	16.72	20.09
7	C105-238PDCA	Impeller	124.42	149.50
8	355949Z	Diffuser	148.30	178.20
9	355331Z	Diffuser Seal	4.86	5.84
10	350094	Base, Almond	148.70	178.68
10	351094	Base, Black	148.72	178.70
11	071131Z	Drain Plug, Almond (2 req.)	9.51	11.43
11	357161Z	Drain Plug, Black (Qty. 2)	7.80	9.37
12	192115Z	O-Ring Drain Plug (Qty. 2)	3.90	4.69
13	350089Z	Strainer Pot, Almond	CALL	CALL
13	351089	Strainer Pot, Black	422.73	507.95
14	357255Z	Lid O-Ring	8.53	10.25
15	355667Z	Strainer Basket	CALL	CALL
16	350091Z	Lid	CALL	CALL
17	350090Z	Locking Ring, Almond	CALL	CALL
17	351090	Locking Ring, Black	62.53	75.14
18	353010	Strainer Pot Assembly, Almond (Includes Items 11-17)	624.26	750.11
18	353110	Strainer Pot Assembly, Black (Includes Items 11-17)	582.61	700.06
19	072184	Washer 3/8 In. SS, (Qty. 4)	2.38	2.86
20	355621	Bolt, Hex 3/8-16 X 2 1/4, (Qty. 4)	7.71	9.26
21	355334Z	Diffuser Screw (Qty. 3)	4.86	5.84
22	355389Z	Impeller Screw	CALL	CALL
23	17351-0101S	Shaft Seal	40.29	48.41
24	354290	Bolt, Hex, 3/8-16 (Qty. 4)	CALL	CALL
25	350093	Union Adapter, (Qty. 2)	28.10	33.76
26	6020018Z	Union Adapter O-ring (Qty. 2)	CALL	CALL
27	270141Z	Union Nut, Black (Qty. 2)	CALL	CALL
28	351157	SuperFlo/SuperMax Union Kit (includes items 25-27) (Qty 2)	130.75	157.11
*	356324Z	RS-485 Automation Wiring Kit, 25 ft.	116.13	139.54
*	357923Z	Motor Fan Guard Kit, TEFC Super-Duty, Almond	CALL	CALL
*	357924Z	Motor Fan Guard Kit, TEFC Super-Duty, Black	CALL	CALL

* Not Shown

CHALLENGER® HIGH FLOW PUMP

REPLACEMENT PARTS



5 HP Models Only

Item	Part No.	Description	US List	Can. List
CHALLENGER HIGH FLOW PUMP MOTORS				
1	354804S	3/4HP, 1SP,1PH, TEFC, 115/208-230	CALL	CALL
1	354822S	1HP, 1SP,1PH, TEFC, 115/208-230	622.43	747.91
1	354824S	1-1/2HP, 1SP,1PH, TEFC, 208-230	733.14	880.94
1	354816S	2HP, 1SP,1PH, TEFC, 208-230	873.51	1049.61
1	355019S	1/2F, 3/4A std. sq. fig., 115/208-230	CALL	CALL
1	355021S	3/4F, 1A std. sq. fig., 115/208-230	CALL	CALL
1	355023S	1F, 1-1/2A std. sq. fig., 115/208-230	CALL	CALL
1	355025S	1-1/2F, 2A std. sq. fig., 115/208-230	CALL	CALL
1	355027S	2F, 2-1/2A std. sq. fig., 208-230	CALL	CALL
1	355034S	3F std. sq. fig. 230 only	CALL	CALL
1	355009S	3/4FE, 1AE sq. fig. 115/208-230	CALL	CALL
1	355011S	1FE, 1-1/2AE sq. fig. 115/208-230	CALL	CALL
1	355013S	1-1/2FE, 2AE sq. fig. 208-230	CALL	CALL
1	355015S	2FE, 2-1/2AE sq. fig. 208-230	CALL	CALL
1	355017S	3FE, 1 ph sq. fig. 208-230	CALL	CALL
1	353319S	5FE, 1 ph, 5 HP, 208-230	CALL	CALL
1	355375S	3/4F, 1A std. sq. fig. 2 sp. 115 only, 28 lbs.	CALL	CALL
1	355232S	3/4F, 1A std. sq. fig. 2 sp. 230 only	CALL	CALL
1	355376S	1F, 1-1/2A std. sq. fig. 2 sp. 230 only	CALL	CALL
1	355377S	1-1/2F, 2A std. sq. fig. 2 sp. 230 only	CALL	CALL

Item	Part No.	Description	US List	Can. List
1	355378S	2F, 2-1/2A std. sq. fig. 2 sp. 230 only	CALL	CALL
2	355004Z	Plate, seal - black	CALL	CALL
3	355028	Plate, mounting 1/2F, 3/4F, 3/4A, 1A	36.59	43.97
3	355078	Plate, mounting 1F, 1-1/2F, 1-1/2A, 2A	23.02	27.66
3	355095	Plate, mounting 2F, 2-1/2A	39.76	47.78
3	355495	Plate, mounting 5F	21.27	25.56
4	354545S	Seal, 5/8 in. mechanical	44.23	53.15
	356210S	Seal, mechanical (ozone/salt resistant)	49.29	59.23
5	355043	Impeller, 1/2F, 3/4A	84.10	101.05
5	355067Z	Impeller, 3/4F, 1A	CALL	CALL
5	355074Z	Impeller, 1F, 1-1/2A	CALL	CALL
5	355086Z	Impeller, 1-1/2F, 2A	CALL	CALL
5	355093	Impeller, 2F, 2-1/2A	88.97	106.91
5	355068	Impeller, 3F 50 Hz/5F 60 Hz	85.78	103.07
6	355029	Diffuser, 1/2F, 3/4F, 3/4A, 1A	62.48	75.08
6	355077	Diffuser, 1F, 1-1/2F, 1-1/2A, 2A	62.48	75.08
6	355094	Diffuser, 2F, 2-1/2A	66.97	80.47
6	355069	Diffuser, 3F, 50 Hz/5F 60 Hz	57.77	69.42
7	354629	Band clamp assembly, complete	122.90	147.68

CHALLENGER® HIGH FLOW PUMP (CONT'D)

REPLACEMENT PARTS

Item	Part No.	Description	US List	Can. List
CHALLENGER HIGH FLOW PUMPS				
8	355468Z	Housing, front, black ⁴	CALL	CALL
8	355469	Housing, front, almond ⁴	229.15	275.35
9	070429Z	Bolt, 3/8-16 X 7/8 SS Hex Head 18-8, 4 req.	4.86	5.84
10	355389Z	Screw, impeller locking	CALL	CALL
11	355305	Base, pump ¹	76.45	91.86
11B	355385	Adapter, 5-5/8 in. dia. motor ²	19.53	23.47
12	355334Z	Screw, No.8, 32 hex wsh. hd., 3 req.	4.86	5.84
13	355030Z	O-ring, diffuser (all except 5 HP)	14.49	17.41
13	355331Z	O-ring diffuser, 5 HP only	4.86	5.84
14	355329Z	O-ring, front housing	25.95	31.18
15	355335	Screw, 5/16, 18 x 1/2 in. SS hex hd., 2 req.	2.38	2.86
16	192115Z	O-ring, drain plug	3.90	4.69
17	357161Z	Plug, 1/4 in. drain	7.80	9.37
18	152060	Bolt, 5/16, 18 x 4 in. carriage ²	16.56	19.90
19	072173	Washer, 5/16 in. SS flat	2.73	3.28
20	174882	Knob (fits clamp w/ removable bolt only)	54.34	65.29
20	175025	Knob (fits clamp w/ captured T-bolt only)	54.34	65.29
21	355330Z	O-ring, strainer pot flange	CALL	CALL
22	354265	Screw, 5/16, 18 hex wsh. hd., 4 req.	3.31	3.98
23	357161Z	Plug, 1/4 in. drain	7.80	9.37
24	192115Z	O-ring, drain plug	3.90	4.69
25	355300Z	Strainer, pot, black ³	CALL	CALL
26	355318Z	Basket, plastic strainer	63.40	76.18
26	355441	Basket, SS Strainer (3F Only)	292.08	350.96
26	355901	Basket, SS strainer, 5F	633.13	760.77
27	350013Z	O-ring, lid	5.83	7.01
27	152509Z	Square ring, 8-1/2 in. (5 HP only)	11.33	13.61
28	355301Z	Lid, strainer pot	CALL	CALL
28	354112	Lid, strainer pot, chemical resistant	99.48	119.54
28	355902	Lid, strainer pot, 5F, clear	115.37	138.63
28	355914	Lid, strainer pot, 5F, black, chemical resistant	97.06	116.63
29	552377	Bushing, reducer 1/2F, 3/4F, 3/4A, 1A, 2 req.	22.11	26.57
31	154527Z	Wrench, 8-1/2 in.	CALL	CALL

Item	Part No.	Description	US List	Can. List
POWER END ASSEMBLIES (INCLUDES ITEMS 1-6, 9, 12 AND 13)				
	355637	CF-N1-3/4F, 1A std., 115/208-230	CALL	CALL
	355984	CF-N1-3/4FE, 1AE 115/208-230	CALL	CALL
	355639	CF-N1-1-1/2FE, 2AE 208-230	CALL	CALL
	355986	CF-N1-2FE, 2-1/2AE 208-230	CALL	CALL
	355641	CF-N2-1F, 1-1/2A 2 sp. std., 230 only	CALL	CALL
	345211	CFII-N1-5FE, power end	CALL	CALL
NOT SHOWN				
	355309	Union kit	169.33	203.47
	356199	Challenger Quick Kit (includes 4, 13, 14, 21, 27, 16, 24)	56.41	67.78
	357391	Pot Assembly, Black with SS basket (3F Only) Includes items 23-28	1065.38	1280.16
	359507	Pot Assembly, Black with plastic bracket (all models except 3F and 5F) Includes items 23-28.	398.77	479.16
	401014Z	Motor End Cap and Screw	40.15	48.24
	357924Z	Fan Guard Kit TEFC/Super-Duty	CALL	CALL

¹ Pump base (item 11) includes dual radius motor support adapter (item 11B) which fits both 5-5/8 in. & 6-1/2 in. dia. motors.

² Item 18, carriage bolt is a replacement part for old style clamp band assembly (item 7).

³ Includes items 23 & 24.

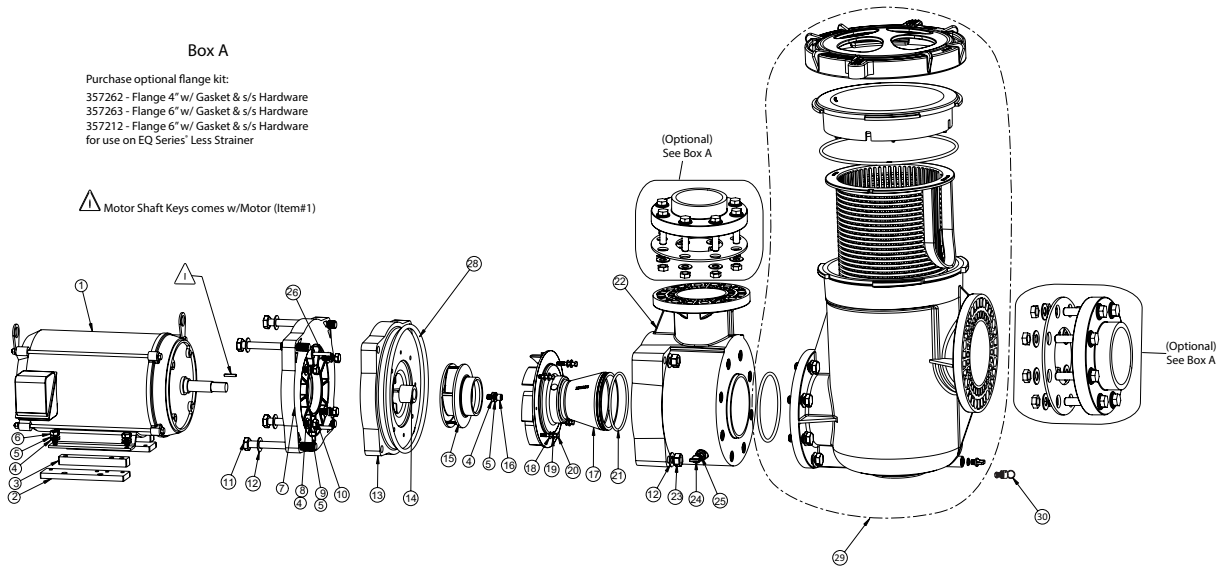
⁴ Includes items 16 & 17.

Note: Challenger booster pumps consist of 1-20.

Note: Challenger pumps consist of all items except No.15.

Note: When ordering replacement motor, give all information on motor name plate.

EQ SERIES® COMMERCIAL PLASTIC PUMP REPLACEMENT PARTS



Part No.	Model No.	HP	Phase	Motor Support (Item No. 2)	Additional Motor Support (Item No. 3)	Motor No. (Item No. 1)	Impeller (Item No. 15)	Diffuser (Item No. 17)
340019, 340030	EQ500	5	1	356713	356712	357065S	350030	350032
340020, 340031	EQK500	5	3	356713	356712	357068S	350030	350032
340604, 340608	EQKT500	5	3	356713	356712	350731Z	350030	350032
340021, 340032	EQ750	7-1/2	1	356713	N/A	357066S	350029	350033
340022, 340033	EQK750	7-1/2	3	356713	356712	357069S	350029	350033
340605, 340609	EQKT750	7-1/2	3	356713	N/A	350732Z	350029	350033
340237, 340238	EQ1000	10	1	356713	N/A	357063S	350028	350033
340023, 340034	EQK1000	10	3	356713	N/A	357070S	350028	350033
340606, 340610	EQKT1000	10	3	356713	N/A	350733Z	350028	350033
340024, 340035	EQK1500	15	3	356713	N/A	357071S	350027	356735
340607, 340611	EQKT1500	15	3	356713	N/A	350734Z	350027	356735
340045, 340047	EQK1000 EXPL PF, 50 Hz	10	3	356713	N/A	350112S	350027	356735
340046, 340048	EQK750 EXPL PF, 50 Hz	7-1/2	3	356713	N/A	350113S	350028	350033
340049, 350083	EQK1000, 50 Hz	10	3	356713	N/A	350153S	350027	356735
340080, 340084	EQK750, 50 Hz	7-1/2	3	356713	N/A	350154S	350028	350033
340081, 340085	EQK500, 50 Hz	5	3	356713	356712	350155S	350029	350033
340082, 340086	EQK300, 50 Hz	3	3	356713	356712	350156S	350030	350032
340014, 340026	EQW300	3	1	356713	356712	357064S	350027	356735
340016, 340027	EQWK300	3	3	356713	356712	357067S	350027	356735
340018, 340029	EQWK500	5	3	356713	356712	350158S	350070	357273
340017, 340028	EQW500	5	1	356713	356712	350159S	350070	357273
340148, 340155	EQK500 575V	5	3	356713	356712	355038S	350030	350032
340149, 340156	EQK750 575V	7-1/2	3	356713	356712	355039S	350029	350033

Call for pricing on these items.

EQ SERIES® COMMERCIAL PLASTIC PUMP

REPLACEMENT PARTS

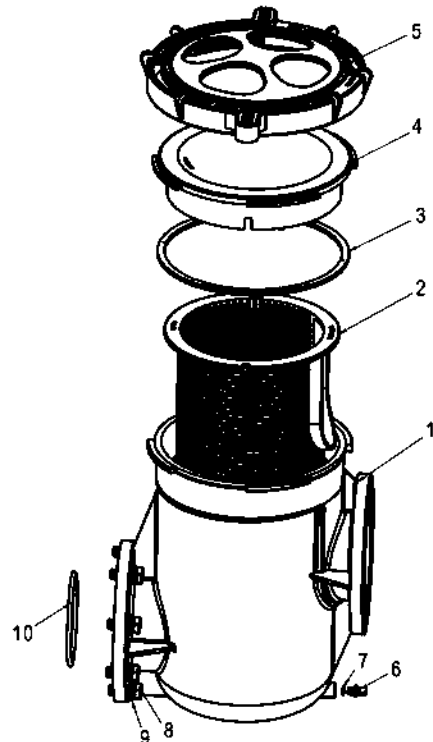
Item	Part No.	Description	US List	Can. List
EQ SERIES PUMP				
1		Motor - See Table on Prev Page		
2		Support - Motor - See Table on Prev Page		
3		Support Adapter - See Table on Prev Page		
4	072184	Washer, Flat 3/8 in. ID x 7/8 in. OD .05 Thk 18-8 s/s - (qty.51 & qty.9)	2.38	2.86
5	98220600	Washer Split Lock 3/8 in. 18-8 s/s - (qty. 51 & qty. 9)	2.38	2.86
6	A135	Screw 3/8 in.-16 x 3/4 in. Hx Hd Cap 18-8 s/s (EQ750...1PH, EQ1000, EQ1500) - (qty. 4)	19.16	23.02
6	350073	Screw 3/8 in.-16 x 1-1/2 Hx Hd Cap 18-8 s/s (EQ300, EQ500, EQ750...3PH) - (qty.4)	8.83	10.61
7	356790	Adapter - Motor - EQ Series	1585.86	1905.57
8	075842	Washer, Flat 1/2 in. ID x 1-1/4 in. OD .125 Thk 300 s/s - (qty. 4)	2.38	2.86
9	350063	Washer Split Lock 1/2 in. 18-8 s/s - (qty.4)	11.32	13.60
10	U30-74SS	Screw 3/8 in.-16 x 1 in. Hx Hd Cap 18-8 s/s (EQ300, EQ500, EQ750...3PH) - (qty. 4)	6.76	8.12
10	071687	BLT 1/2-13 x 1.25 STL HH SS (qty. 4)	9.97	11.98
11	356710	Screw 5/8 in.-11 x 6-1/2 in. Hx Hd Cap 18-8 s/s - (qty. 4)	216.56	260.22
12	356789	Washer, Flat 11/16 in. IDx1 - 5/16 in. OD .078 Thk 300 s/s (qty. 8)	2.38	2.86
13	356795	Seal Plate - EQ Series	1874.20	2252.04
14	071725S	Seal Set	78.69	94.55
15		Impeller - See Table on Prev Page		
16	071037	Screw 3/8 in.-16 x 1 in. Sckt. Hd Cap 18-8 s/s	10.22	12.28

Item	Part No.	Description	US List	Can. List
17		Diffuser - See Table on Prev Page		
18	51008500	Washer, Flat 1/4 in. 300 s/s - (qty. 4)	6.38	7.67
19	072172	Washer Split Lock 1/4 in. 18-8 s/s - (qty. 4)	0.38	0.46
20	350035	Screw 1/4 in.-20 x 1-1/2 in. Hx Hd Cap 18-8 s/s (EQ500, EQ750, EQ1000) - (qty. 4)	8.45	10.15
20	356797	Screw 1/4 in.-20 x 1-3/4 in. Hx Hd Cap 18-8 s/s (EQW300, EQ1500) - (qty. 4)	9.51	11.43
21	350037	O-ring Diffuser 3/16 in. x 4-7/8 in.	29.36	35.28
22	356755	Housing - EQ Series	5639.70	6776.66
23	356776	Nut 5/8 in.-11 Hx Brass - (qty. 5)	27.69	33.27
24	357161Z	Drain Plug	7.80	9.37
25	192115Z	O-ring Drain Plug	3.90	4.69
26	350060	Pin Dowel 5/16 in. x 1-3/4 in. 18-8 s/s - (qty. 2)	40.62	48.81
28	356780	O-ring Seal Plate 3/8 in. x 11 in. dia.	87.32	104.92
29	340013	Strainer Pot Assy Complete EQ 6 in. x 6 in.	2459.18	2954.95
30	350087	Pressure Relief Valve	108.74	130.66

NOT SHOWN

351137S	EQ Alignment Tool Seal Plate to Motor	404.63	486.20
354825	Hardware Kit for 7.5 HP ODP to TEFC Motor Conversion	83.05	99.79
355930	5HP 3-phase TEFC power end	7316.28	8791.24
355931	7-1/2HP 3-phase TEFC power end	8130.94	9770.14
355932	10HP 3-phase TEFC power end	9256.27	11122.33
355933	15HP 3-phase TEFC power end	10686.73	12841.17

Item	Part No.	Description	US List	Can. List
EQ SERIES HAIR & LINT STRAINER				
1	356725	Pot EQ strainer	1911.34	2296.67
2	357184	Basket EQ strainer	351.55	422.42
3	350166	Gasket, EQ lid	35.42	42.56
4	356750	Lid EQ clear	796.66	957.27
5	350171	Clamp Cam & Ramp™ EQ (No Lid)	1100.80	1322.72
6	357161Z	Drain Plug	7.80	9.37
7	192115Z	O-ring drain plug	3.90	4.69
8	356788	Screw, 5/8 in., 11 x 1-3/4 in. hx hd cap 18-8 SS (qty. 8)	17.46	20.98
9	356789	Washer, flat 11/16 in. ID x 1-5/16 in. OD 0.078 thk 300 SS (qty. 8)	2.38	2.86
10	350013Z	O-ring pot flange	5.83	7.01
NOT SHOWN				
350087	Pressure relief valve, 1/4 in. NPT	108.74	130.66	



Heaters

Eti 400 High Efficiency Heater

- Longest-lasting heat exchanger ever built
Incredible 96% thermal efficiency—more heat gets into pool water faster
- Best-in-class energy savings
- Can now be converted from Natural to Propane Gas by purchasing a Propane Gas Conversion Kit.



Part Number	Gas Type/Description	BTUs	Dealer Price	List Price
PEN461113	Natural	400 ASME	\$10,742.28	\$16,526.58
PENP475971	Direct Air Intake KIT (for indoor installations)	-----	\$176.25	\$352.49
PENP475612	Condensate Neutralizer Cartridge KIT	-----	\$194.68	\$389.37
PENP476072	KIT ETI 400 Propane Conversion	-----	\$89.22	\$178.44

UltraTemp ETi Hybrid Pool Heater

- Longest-lasting heat exchanger ever built
- Incredible 96% thermal efficiency—more heat gets into pool water faster
- Best-in-class energy savings
- Can now be converted from Natural to Propane Gas by purchasing a Propane Gas Conversion Kit.



Part Number	Gas Type/Description	BTUs	Dealer Price	List Price
PEN460969	UltraTemp Hybrid Eti Heater	110,000	\$8,284.44	\$12,745.29

Heaters

MasterTemp High Performance Heater

Master Temp High Performance Gas Heater

- Controls rotate to 3 positions
- No need to reverse header
- Quick change orifice allows easy conversion
- Certified for low NOx Emissions
- Electric Emission



NATURAL

PROPANE

Part Number	Part Number	Model	Dual Therm	BTUs	Dealer Price	List Price
PEN460730	PEN460731	200	Electronic	200	\$3,060.19	\$4,707.99
PEN460732	PEN460733	250	Electronic	250	\$3,251.68	\$5,002.59
PEN460734	PEN460735	300	Electronic	300	\$3,808.51	\$5,859.25
PEN460736	PEN460737	400	Electronic	400	\$4,166.42	\$6,409.87

MasterTemp Heavy Duty (HD) Heater w/ Cupro-Nickel Exchanger

Part Number	Model	Dual Therm	BTUs	Dealer Price	List Price
PEN460806	250 HD	Electronic	250	\$3,597.82	\$5,535.11
PEN460805	400 HD	Electronic	400	\$4,397.35	\$6,765.15

Indoor Vent Adaptors for MasterTemp Heaters

Part Number	Description	Dealer Price	List Price
PEN461031	INTAKE AIR KIT FOR MASTERTEMP	\$232.47	\$357.65
PENP77707-0076	KIT METAL FLUE COLLAR 4 INX6 IN ACCESSORY	\$129.07	\$258.13
PENP77707-0077	KIT METAL FLUE COLLAR 4 INX8 IN ACCESSORY	\$135.86	\$271.71
PENP77707-0086	APPL ADAPTER KIT-HEAT FABVENTING GAS HE	\$145.60	\$291.20
PENP474845	AIR INTAKE 3" MT125 RPLC	\$212.46	\$424.93

Gas Conversion Kits

Part Number	Description	List Price
PENP77707-1461	CONVERSION KIT NA-LP 200K	\$89.07
PENP77707-1431	CONVERSION KIT LP-NA 200K	\$89.07
PENP460741	KIT CONVERSION NA-LP 250K	\$82.82
PENP460755	KIT CONVERSION NA-LP 300K	\$82.82
PENP460756	KIT CONVERSION LP-NA 300K	\$82.82
PENP77707-1441	CONVERSION KIT NA-LP 400K	\$89.07
PENP77707-1411	CONVERSION KIT LP-NA 400K	\$89.07

Heaters

MasterTemp 125 High Performance Heater

Master Temp 125 High Performance Heater

- Thermal efficiency in excess of 82%
- Ideal for bodies of water up to 15,000 gallons
- 1 1/2" plumbing
- Digital display
- Certified NOx emissions



NATURAL PROPANE

Part Number	Part Number	Model	BTUs	Ignition	Dealer Price	List Price
PEN461059	PEN461061	125	125000	Electronic	\$1,736.52	\$2,671.57

Sta-Rite Max-E-Therm

Sta-Rite Max-E-Therm

- No outdoor draft hood required
- Lightest heater in class
- LED temperature readout w/ 6 position control panel



Part Number	Model	Dual Therm	Dealer Price	List Price
PENSR200NA	200	Electronic	\$3,182.59	\$4,896.29
PENSR333NA	333	Electronic	\$3,863.53	\$5,943.89
PENSR400NA	400	Electronic	\$4,300.80	\$6,616.62
PENSR200HD	200HD	Max-E-Therm 200 BTU Heavy Duty Heater	\$3,429.44	\$5,276.06
PENSR333HD	333HD	Max-E-Therm 333 BTU Heavy Duty Heater	\$4,112.54	\$6,326.98
PENSR400HD	400HD	Max-E-Therm 400 BTU Heavy Duty Heater	\$4,530.64	\$6,970.22

Pentair Commercial Heaters & Heat Pumps

UltraTemp Heat Pump

UltraTemp Heat Pump

- 100% pure titanium heat exchanger for corrosion-free performance
- Auto-defrost feature
- Compatible with ALL automated control packages
- Thermostatic expansion valve controls refrigerant flow for optimum efficiency & BTU output
- ETL listed, AHRL certified



Part Number	Model	80/80/80 BTU/COP	80/63/80 BTU/COP	50/63/80 BTU/COP	Breaker Size (amp)	Wire Size	Dealer Price	List Price
PEN460930	70	75,000/5.9	70,000/5.7	50,000/4.1	40	10	\$3,811.86	\$5,864.40
PEN460931	90	90,000/5.8	84,000/5.5	60,000/4.0	50	8	\$4,482.71	\$6,896.48
PEN460932	110	108,000/5.8	101,000/5.5	72,000/4.0	50	8	\$4,933.46	\$7,589.93
PEN460833	120Q	127,000/5.7	120,000/5.5	82,000/4.0	50	8	\$5,606.21	\$8,624.93
PEN460934	140	143,000/5.8	134,000/5.6	88,000/4.0	50	8	\$6,153.35	\$9,466.69

Commercial PowerMax High Performance Electronic Ignition Heater

CALL FOR AVAILABILITY AND PRICING

Fan-assisted and filtered combustion air, dual ignition systems for models greater than 750,000 BTU, fits through standard doorways, 200/208 and 575 V models, gas supply right or left, 85% energy efficiency ratings and meets all low NOx requirements

ETi® 400 HEATER

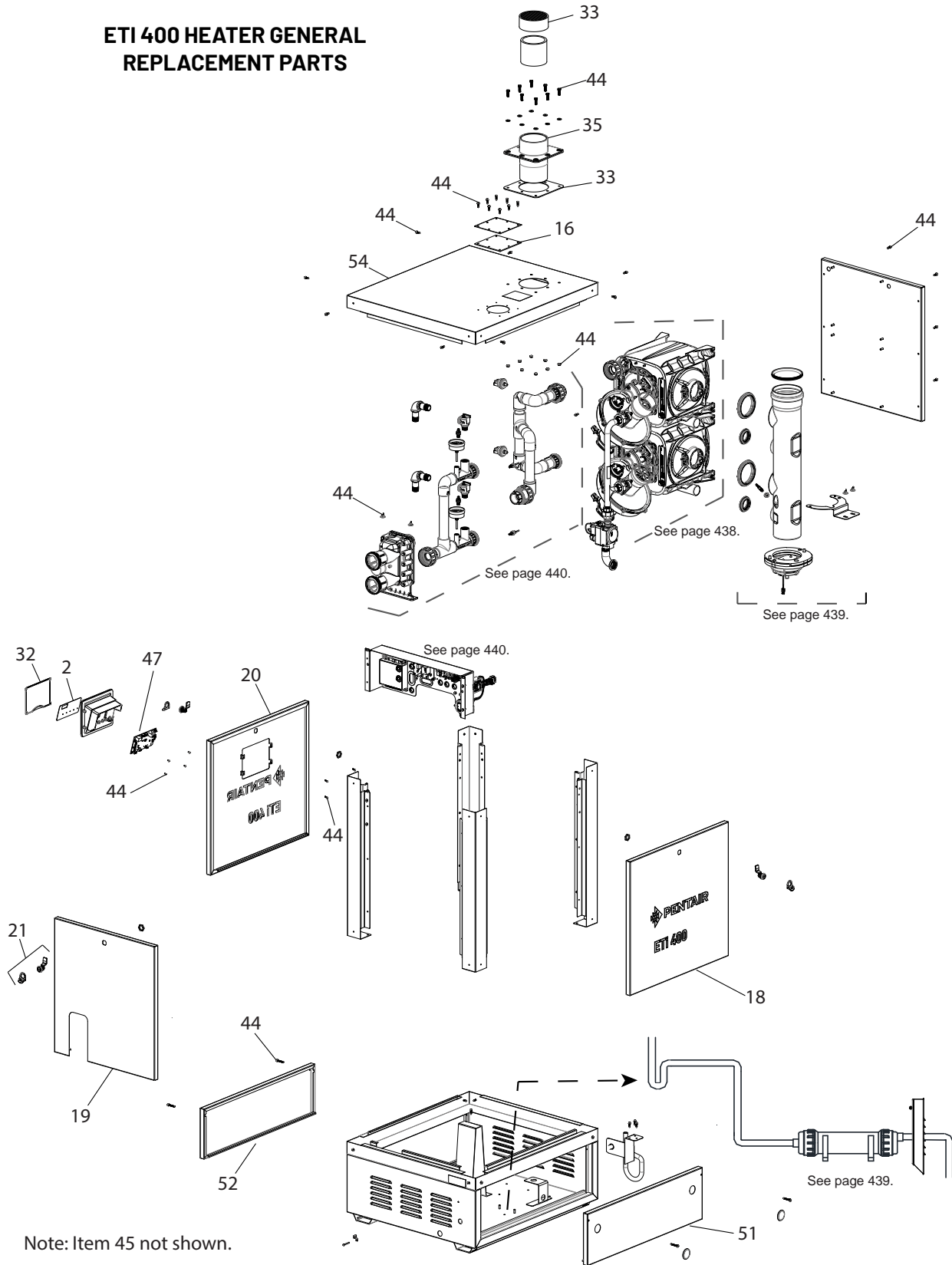
REPLACEMENT PARTS

Item	Part No.	Description	US List	Can. List	Item	Part No.	Description	US List	Can. List
SYSTEM									
1	475978	Fan Control Board	221.30	265.91	35	475622	Vent Socket	130.15	156.39
2	475984	Membrane Pad	115.03	138.22	36	475623	TitanTough Heat Exchanger	6896.23	8286.51
3	475985	AGS 150 degree F	88.51	106.35	37	475624	Burner	CALL	CALL
4	475987	Air Pressure Switch	128.34	154.21	38	476000	Combustion Blower Replacement Kit	390.53	469.26
5	475996	Wire Harness	520.77	625.76	39	476001	Gas Control Valve Replacement Kit	CALL	CALL
6	475998	Thermal Fuse (white)	110.60	132.90	40	38404-4097S	3/4 in. Union	55.99	67.28
7	475601	Stack Flue Sensor (blue)	97.35	116.98	41	42001-0063S	High Limit Switch	97.35	116.98
8	476081Z	Gas Engine Spark Electrodes	201.60	242.24	42	U178-920PZ	Drain Plug	7.80	9.37
9	475982	Spark Electrodes Cables	190.32	228.69	43	476002	Manifold	559.86	672.73
10	475980	Condensate Assembly/ Float Switch	354.07	425.45	44	476003	Manifold-Enclosure Fasteners	173.56	208.55
11	475615	HX and Chimney Gaskets	885.32	1063.80	45	476004	Hold Down Bracket Kit	86.76	104.25
12	475606	Heat Exchanger Screws	110.60	132.90	46	476072	Propane Gas Orifice Kit	177.03	212.72
13	475979	Assembly, Plug 120/240V	88.51	106.35	47	475975	Control Board	265.58	319.12
14	475603	Tridicator	132.77	159.54	48	475976	Ignition Control Module	354.07	425.45
15	475604	Gas and Air orifices (natural gas)	70.79	85.06	49	462023	Flame Sensor	CALL	CALL
16	475973	Heater Gasket Kit	398.35	478.66	50	476059	Burner Assembly	CALL	CALL
17	475971	Air Intake Kit	349.69	420.19	51	476101	Base Door Gas Side	243.00	291.99
18	475608	Gas Side Panel	216.97	260.71	52	476102	Base Door Control Side	243.00	291.99
19	475609	Water Manifold Panel	130.15	156.39	53	476106	Kit Heat Exchanger Union Adapters	390.53	469.26
20	475610	Control Board Panel	243.00	291.99	54	475777Z	Top Panel	CALL	CALL
21	475611	Latch Assembly	108.45	130.31		462054	Accessories and Documents Bundle	CALL	CALL
22	475612	Condensate Neutralizer Kit	386.27	464.14					
23	475613	Inlet Plumbing Assembly	737.75	886.48					
24	475614	Outlet Plumbing Assembly	564.15	677.88					
25	475617	Exhaust Assembly	125.82	151.19					
26	42001-0056S	Terminal Board	84.00	100.93					
27	32850-0099	Fireman's Switch Fuse (1.25 amps)	11.74	14.11					
28	42001-0053S	Thermistor, Water Sensor	124.34	149.41					
29	42001-0060S	Water Pressure Switch	128.49	154.39					
30	42001-0107S	Dual Voltage Transformer	106.18	127.59					
31	475618	Pressure Relief Valve	216.97	260.71					
32	475619	Control Cover	43.37	52.11					
33	475620	Vent Cap Exhaust	17.30	20.79					
34	475621	Water Bypass Assembly	56.37	67.73					

ETi® 400 HEATER (CONT'D)

REPLACEMENT PARTS

ETI 400 HEATER GENERAL REPLACEMENT PARTS

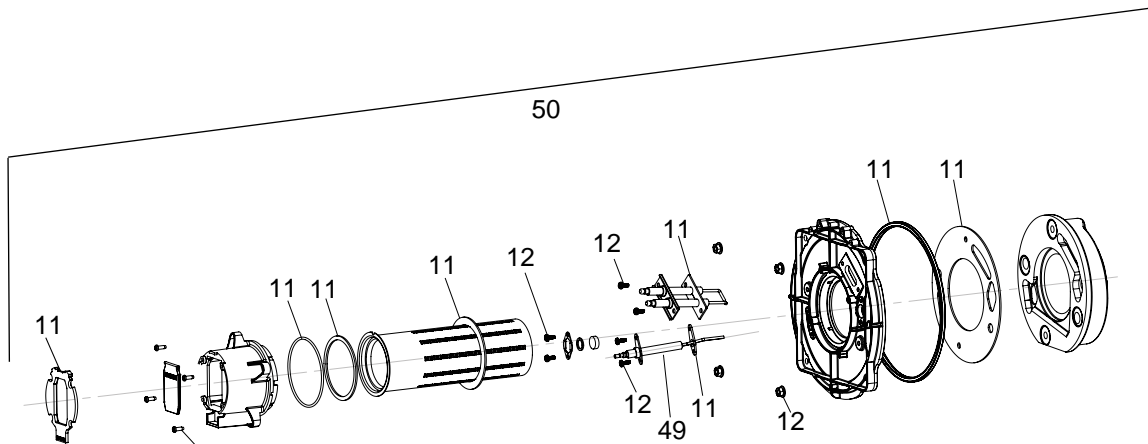
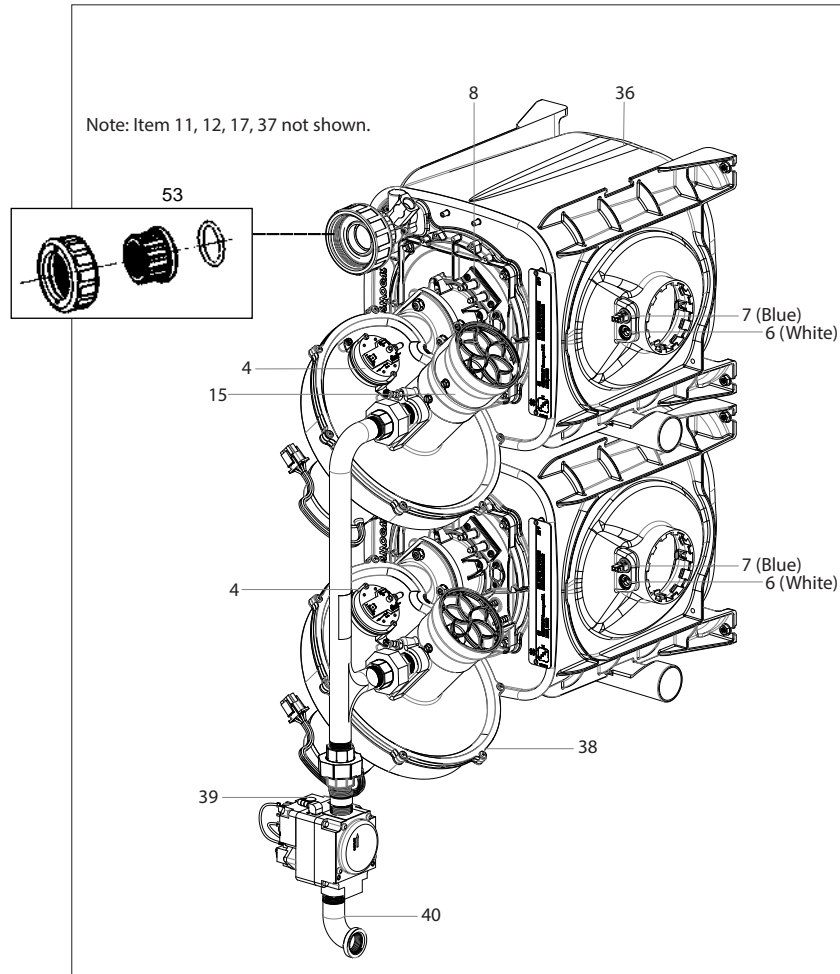


Note: Item 45 not shown.

ETi® 400 HEATER (CONT'D)

REPLACEMENT PARTS

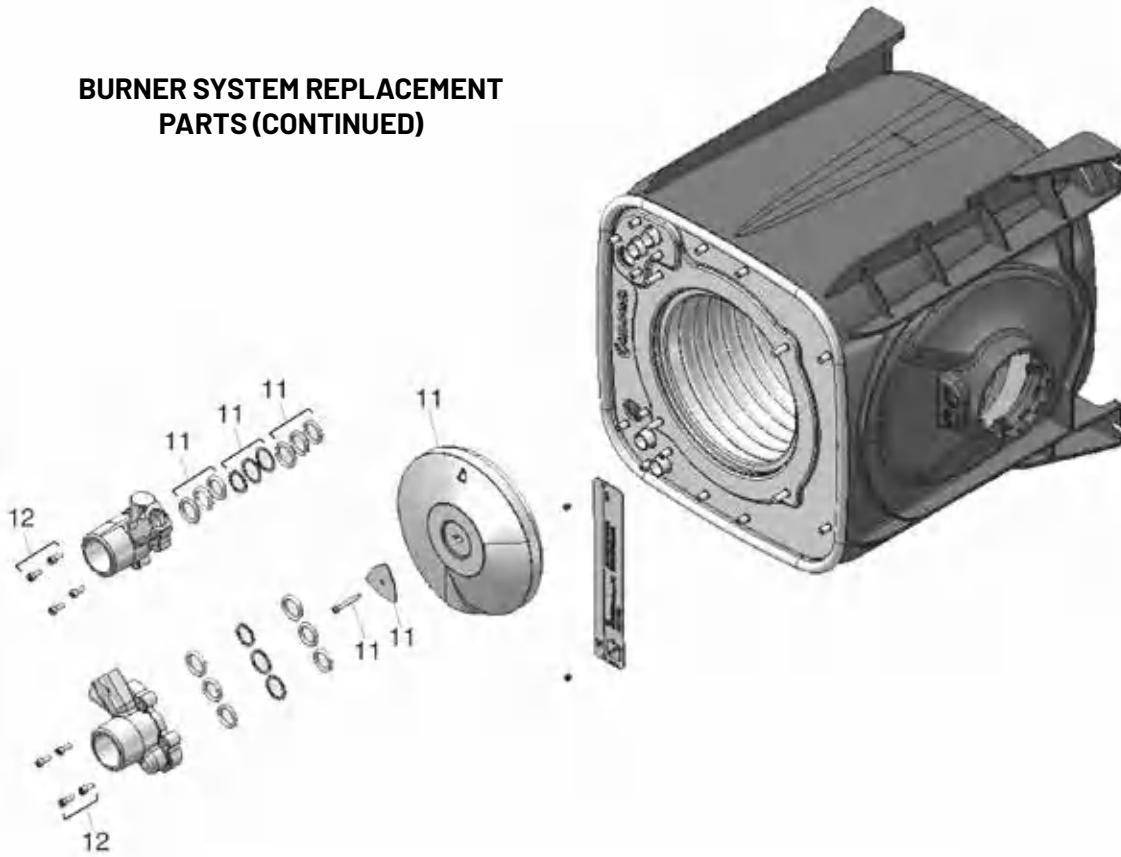
BURNER SYSTEM REPLACEMENT PARTS



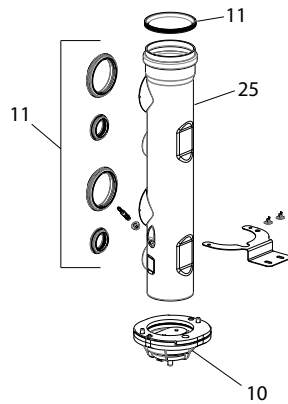
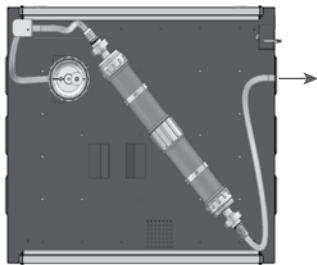
ETi® 400 HEATER (CONT'D)

REPLACEMENT PARTS

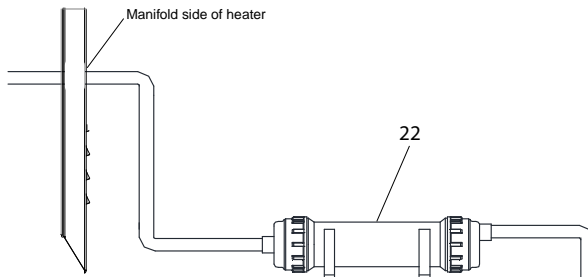
BURNER SYSTEM REPLACEMENT PARTS (CONTINUED)



ETI 400 HEATER CONDENSATE ASSEMBLY REPLACEMENT PARTS



Condensate Neutralizer Cartridge (Optional, P/N 475612 sold separately). The cartridge may be mounted to the base of the heater for an outdoor installation.

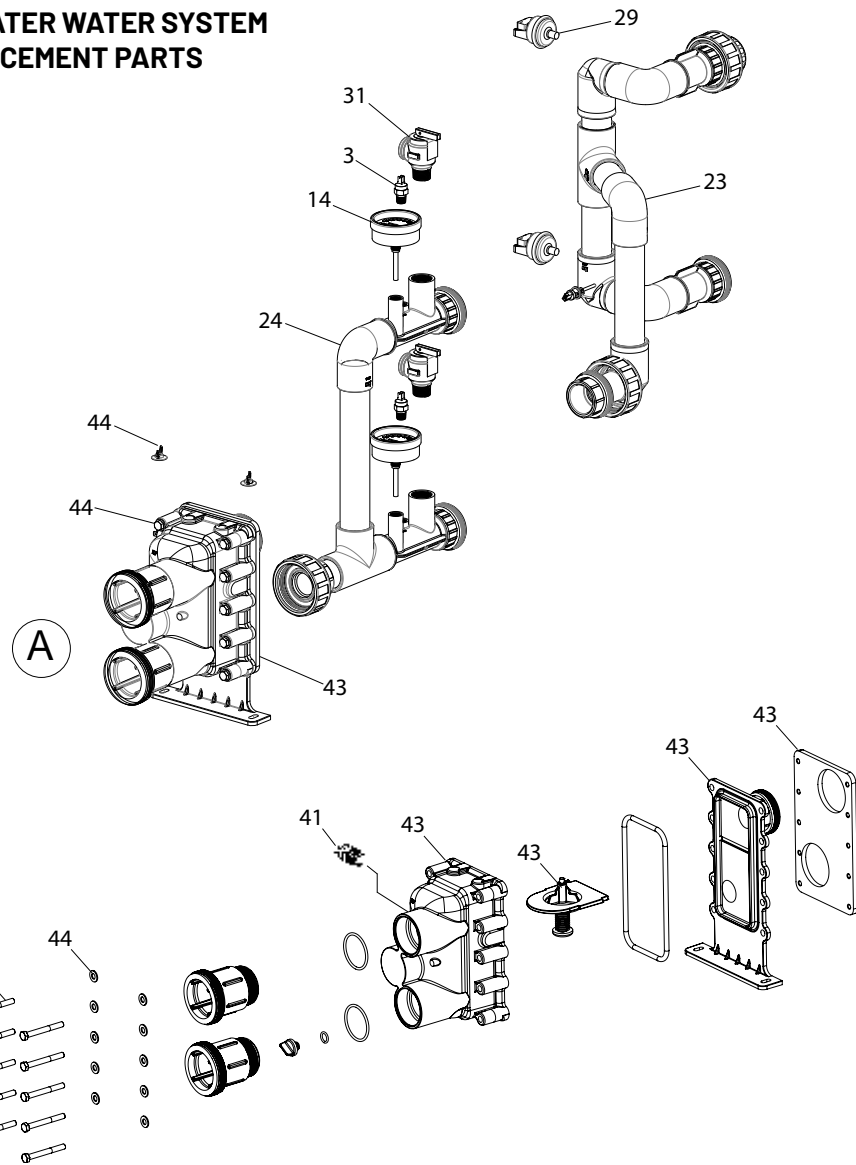


Condensate Neutralizer Cartridge (Optional, P/N 475612 sold separately). The cartridge may be mounted external to the heater for an indoor installation.

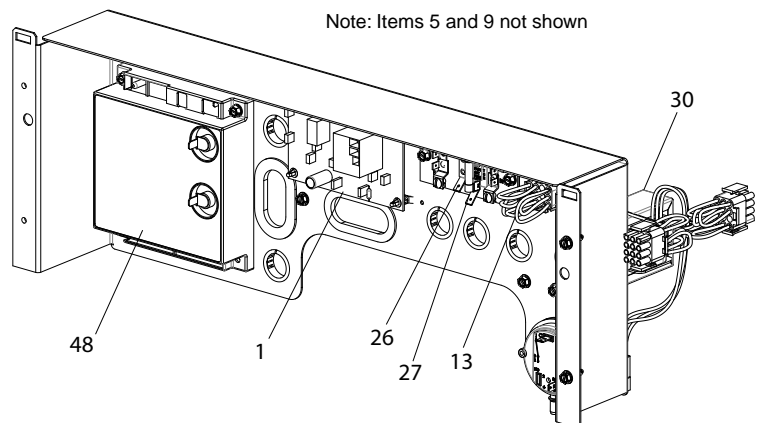
ETi® 400 HEATER (CONT'D)

REPLACEMENT PARTS

ETI 400 HEATER WATER SYSTEM REPLACEMENT PARTS

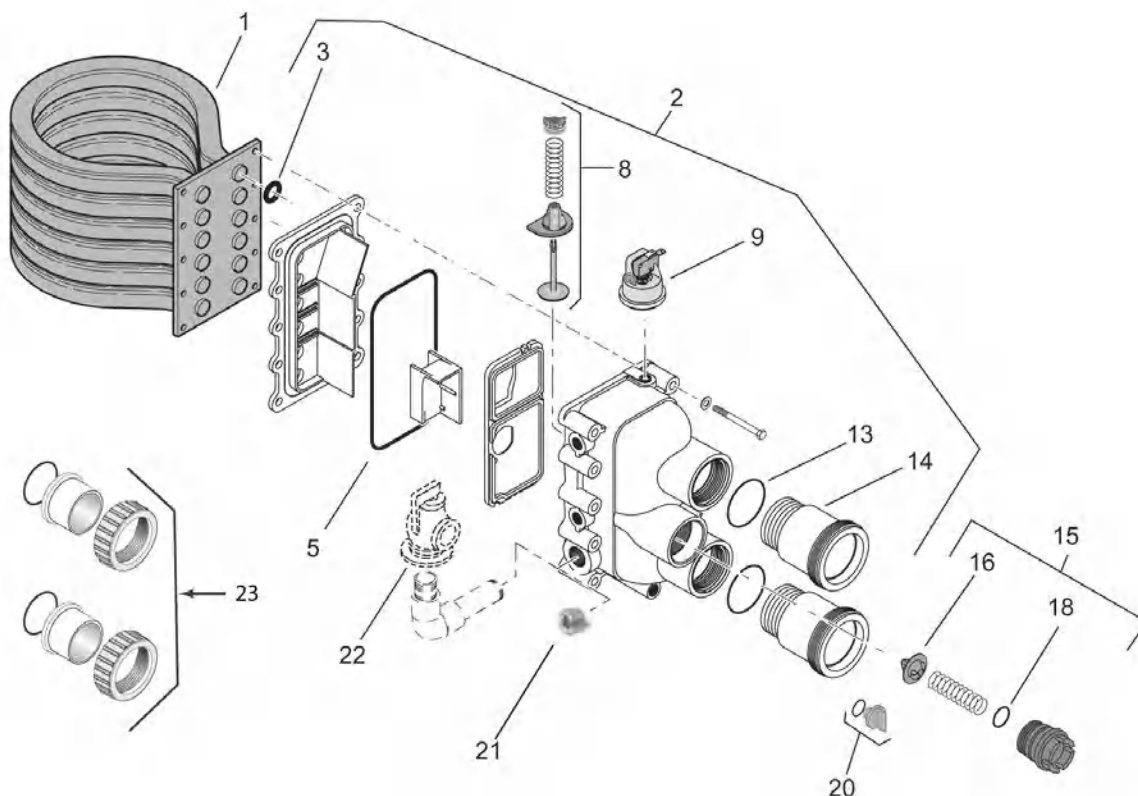


OPERATOR CONTROL PANEL ASSEMBLY REPLACEMENT PARTS



MASTERTEMP® HEATER

WATER SYSTEM REPLACEMENT PARTS



Item	Part No.	Description	US List	Can. List
WATER SYSTEM				
1	474058	Tube Sheet Coil Assembly Kit (Includes Item No. 3) Models 175NA, 175LP, 200NA, 200LP ¹	1415.98	1701.44
1	474062	Tube Sheet Coil Assembly Kit (Includes Item No. 3) Model 200HDNA, 200HD-LP	2744.62	3297.94
1	474059	Tube Sheet Coil Assembly Kit (Includes Item No. 3) Models 250NA, 250LP ¹	1742.77	2094.11
1	474060	Tube Sheet Coil Assembly Kit (Includes Item No. 3) Models 300NA, 300LP ¹	1960.61	2355.87
1	474061	Tube Sheet Coil Assembly Kit (Includes Item No. 3) Models 400NA, 400LP ¹	2341.80	2813.91
1	474065	Tube Sheet Coil Assembly Kit (Includes Item No. 3) Models 400HDNA, 400HD-LP ¹	3539.95	4253.60
1	474063	Tube Sheet Coil Assembly Kit - HD Series - (Includes Item No. 3) Models 250HDNA, 250HD-LP ¹	2886.38	3468.27

¹ For Heaters Manufactured after 1/12/09 (New Tub Design).

Note: Kits include: O-Rings, Insulation, Igniter and Blower Gaskets.

MASTERTEMP® HEATER (CONT'D)

WATER SYSTEM REPLACEMENT PARTS

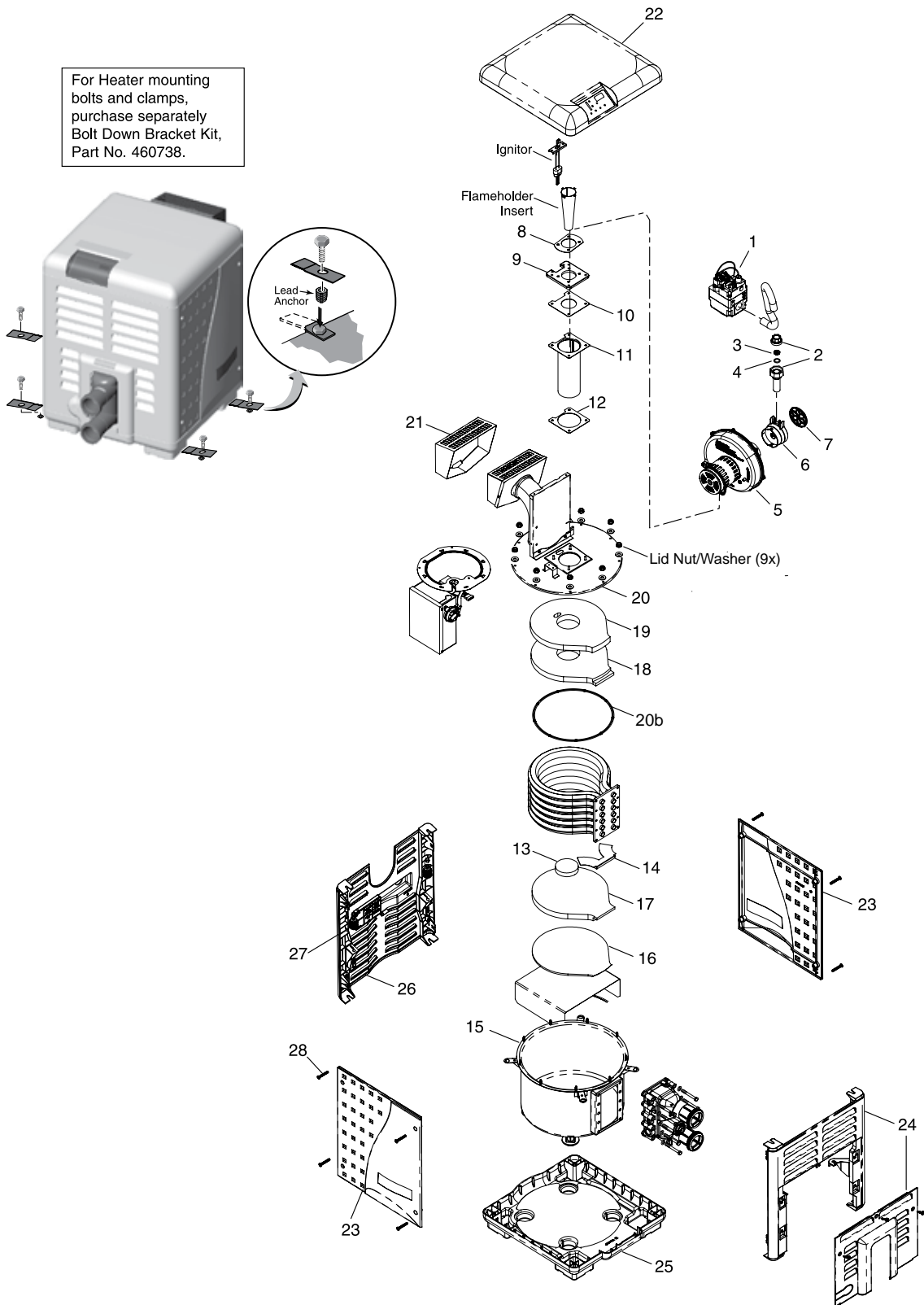
Item	Part No.	Description	US List	Can List
WATER SYSTEM				
2	77707-0014	Manifold Kit (Includes Item Nos. 3–14, 21, and Item Nos. 5–7 in “Electrical System” Models 175NA, 175LP, 200NA, 200LP)	1000.53	1202.24
2	460748	Manifold Kit (Includes Item Nos. 3–14, 21, and Item Nos. 5–7 in “Electrical System” Models 250NA, 250LP)	930.70	1118.33
2	77707-0015	Manifold Kit (Includes Item Nos. 3–14, 21, and Item Nos. 5–7 in “Electrical System” Models 300NA, 300LP)	1000.53	1202.24
2	77707-0016	Manifold Kit (Includes Item Nos. 3–14, 21, and Item Nos. 5–7 in “Electrical System” Models 400NA, 400LP)	1000.53	1202.24
2	474200	Basic Manifold Kit (Includes Item Nos. 3, 5, 10–14)	319.23	383.59
3	77707-0117	Coil/Tubesheet Sealing O-Ring Kit - Models 175NA, 175LP, 200NA, 200LP (6)	84.00	100.93
3	460749	Coil/Tubesheet Sealing O-Ring Kit - Models 250NA, 250LP (8)	84.00	100.93
3	77707-0118	Coil/Tubesheet Sealing O-Ring Kit - Models 300NA, 300LP (10)	84.00	100.93
3	77707-0119	Coil/Tubesheet Sealing O-Ring Kit - Models 400NA, 400LP (12)	84.00	100.93
8	77707-0001	Manifold Bypass Valve Kit	89.02	106.97
9	42001-0060S	Water Pressure Switch	128.49	154.39
9	473716Z	Water Pressure Switch (Old Header Design ASME) ⁴	CALL	CALL
13	U9-226Z	O-Ring	4.91	5.90
14	77707-0017	Connector Tube Kit (Includes 1 Connector Tube and 1 O-Ring)	85.38	102.59
15	77707-0010	Thermal Regulator Kit (Incl. Item Nos.16, 17, 18, 19 and Spring Clip)	162.62	195.40
16	38000-0007S	Thermal Regulator (Includes Spring Clip)	112.03	134.62
18	35505-1313	Thermal Regulator Cap O-Ring	7.17	8.62
20	U178-920PZ	Drain Plug	7.80	9.37
21	U78-60ZPS	Zinc Plug 428-60 PS	9.89	11.88
22	473715Z	Pressure Relief Valve	245.51	295.00
23	PKG 188Z	2 in. Union Adapter Package (Includes 2)	46.96	56.43
	77707-0120	O-Ring Kit (Incl. Item Nos. 3, 5)	71.57	86.00
	461102	Pro Service Package - Water Parts (Includes items in a reusable hard case, 8, 9, 15, not shown, Thermistor (2), High Limit Switch (2), AGS Switch (2))	612.40	735.86
	462051	Accessories and Documents Bundle	CALL	CALL

ASME Heater Manufacture Date	Part No.	Description	US List	Can. List
ASME KITS				
11/16/13 to Present (New 9-Bolt Tub Design) (Includes Item No.s 13-19, 20b, Lid, Nut/Washer [9X] and Silicone Tube)	475669	Heat Exchanger Kit - 200 ASME	4085.89	4909.61
	474955	Heat Exchanger Kit - 250 ASME	4356.87	5235.21
	474954	Heat Exchanger Kit - 250 ASME HD	4672.61	5614.61
	474956	Heat Exchanger Kit - 400 ASME	4846.97	5824.12
	474953	Heat Exchanger Kit - 400 ASME HD	4913.59	5904.17
Prior to 10/2012 (Old Header Design)	460923	ASME Bypass Valve Kit (Old Header Design)	501.55	602.66
	461007	ASME Bypass Valve Tool Kit (Old Header Design)	298.31	358.45
	460924	Thermal Regulator Kit (includes Spring Clip, ASME, Old Header Design)	245.10	294.51
10/2012 to Present (New Header Design)	472648Z	Bypass Access Plug (ASME)	576.94	693.25
	77707-0001	Manifold Bypass Valve Kit ASME	89.02	106.97
	460925	ASME Pressure Relief Valve Kit	280.09	336.56

MASTERTEMP® HEATER (CONT'D)

BURNER SYSTEM REPLACEMENT PARTS

For Heater mounting bolts and clamps, purchase separately Bolt Down Bracket Kit, Part No. 460738.



MASTERTEMP® HEATER (CONT'D)

BURNER SYSTEM REPLACEMENT PARTS

Item	Part No.	Description	US List	Can. List	Qty.
BURNER SYSTEM					
1	42001-0051S	Combination Gas Control Valve Kit	682.60	820.21	1
2	38404-4097S	3/4 in. Union	55.99	67.28	2
5	77707-0250	Air Blower Kit – Natural Gas Units (Models 175NA)	1290.62	1550.81	1
5	77707-0251	Air Blower Kit - Natural Gas Units (Models 200NA)	1290.65	1550.85	1
5	460743	Air Blower Kit - Natural Gas Units (Models 250NA)	1200.65	1442.70	1
5	460757	Air Blower Kit - Natural Gas Units (Models 300NA)	1200.62	1442.66	1
5	77707-0253	Air Blower Kit - Natural Gas Units (Models 400NA)	1290.65	1550.85	1
5	77707-0254	Air Blower Kit - Propane Units (Models 175LP, 200LP)	1290.65	1550.85	1
5	460744	Air Blower Kit - Propane Units (Models 250LP)	1200.62	1442.66	1
5	460758	Air Blower Kit - Propane Units (Models 300LP)	1200.62	1442.66	1
5	77707-0256	Air Blower Kit - Propane Units (Models 400LP)	1290.65	1550.85	1
6	See Item #7	Item #6 included in Item #7	CALL	CALL	
7	460798	Air Orifice Kit - Model 175 (Includes Item Nos. 6 and 7)	67.20	80.75	1
7	77707-0111	Air Orifice Kit - Model 200 (Includes Item Nos. 6 and 7)	102.79	123.51	1
7	460745	Air Orifice Kit - Model 250 (Includes Item Nos. 6 and 7)	95.57	114.84	1
7	460759	Air Orifice Kit - Model 300 (Includes Item Nos. 6 and 7)	95.57	114.84	1
7	77707-0113	Air Orifice Kit - Model 400 (Includes Item Nos. 6 and 7)	102.79	123.51	1
15	474957	One Piece Metal Chamber/Combustion Chamber Assembly ¹	662.37	795.90	1
20	474958	One Piece Metal Elbow/Combustion Chamber Cover Assembly ¹	754.10	906.13	1
20b	474952	Tub O-Ring Kit ¹	70.94	85.24	1
21	42002-0005S	Metal Vent Cover	205.45	246.87	1
22	42002-0034Z	Heater Top	548.07	658.56	1
23	42002-0039Z	Side Panel (Service Panel) with 4 clips and 4 screws	536.07	644.14	1
24	42002-0033Z	Side Panel (Manifold)	536.05	644.12	1
25	42002-0031Z	Heater Bottom	252.05	302.86	1
26	42002-0032Z	Side Panel (Flue Stack)	405.14	486.82	1
27	42002-0041Z	J Box Cover	28.00	33.64	1
28	474292	11 ea screws, 11 ea clips and 8 wing-nuts	34.99	42.04	
NOT SHOWN					
	461002	Gas Orifice Kit - NG, Model 175 (Incl. Item Nos. 3 and 4) *	85.45	102.68	1
	77707-0431	Gas Orifice Kit - NG, Model 200 (Incl. Item Nos. 3 and 4) *	85.45	102.68	1
	460739	Gas Orifice Kit - NG, Model 250 (Incl. Item Nos. 3 and 4) *	79.49	95.52	1
	460753	Gas Orifice Kit - NG, Model 300 (Incl. Item Nos. 3 and 4) *	79.49	95.52	1
	77707-0411	Gas Orifice Kit - NG, Model 400 (Incl. Item Nos. 3 and 4) *	85.45	102.68	1
	460797	Gas Orifice Kit – Propane, Model 175 (Incl. Item Nos. 3 and 4) *	127.77	153.53	1
	77707-0461	Gas Orifice Kit – Propane, Model 200 (Incl. Item Nos. 3 and 4) *	85.45	102.68	1
	460740	Gas Orifice Kit – Propane, Model 250 (Incl. Item Nos. 3 and 4) *	79.49	95.52	1
	460754	Gas Orifice Kit – Propane, Model 300 (Incl. Item Nos. 3 and 4) *	79.49	95.52	1

Item	Part No.	Description	US List	Can. List	Qty.
	77707-0441	Gas Orifice Kit – Propane, Model 400 (Incl. Item Nos. 3 and 4) *	85.45	102.68	1
	460794	NG to Propane Conversion Kit Model 175 (Incl. Item Nos. 3 and 4) *	118.18	142.01	1
	77707-1461	NG to Propane Conversion Kit Model 200 (Incl. Item Nos. 3 and 4) *	88.35	106.16	1
	460741	NG to Propane Conversion Kit Model 250 (Incl. Item Nos. 3 and 4) *	82.17	98.74	1
	460755	NG to Propane Conversion Kit Model 300 (Incl. Item Nos. 3 and 4) *	82.17	98.74	1
	77707-1441	NG to Propane Conversion Kit Model 400 (Incl. Item Nos. 3 and 4) *	88.35	106.16	1
	460795	Propane to NG Conversion Kit Model 175 (Incl. Key Nos. 3 and 4) *	118.18	142.01	1
	77707-1431	Propane to NG Conversion Kit Model 200 (Incl. Key Nos. 3 and 4) *	88.35	106.16	1
	460742	Propane to NG Conversion Kit Model 250 (Incl. Key Nos. 3 and 4) *	82.17	98.74	1
	460756	Propane to NG Conversion Kit Model 300 (Incl. Key Nos. 3 and 4) *	82.17	98.74	1
	77707-1411	Propane to NG Conversion Kit Model 400 (Incl. Key Nos. 3 and 4) *	88.35	106.16	1
	77707-0011	Blower/Adapter Plate Gasket Kit (Includes Item Nos. 8, 9, 10, 12)	101.23	121.64	1
	77707-0202	Flameholder Kit - Model 175, Model 200 (Includes Item Nos. 10, 11, 12 & 13)	240.55	289.04	1
	460746	Flameholder Kit - Model 250 (Includes Item Nos. 10, 11, 12 & 13 and Flameholder insert)	223.75	268.86	1
	77707-0203	Flameholder Kit - Model 300 (Includes Item Nos. 10, 11, 12, 13 & Flameholder Insert)	270.61	325.16	1
	77707-0204	Flameholder Kit - Model 400 (Includes Item Nos. 10, 11, 12, 13 & Flameholder Insert)	315.70	379.35	1
	77707-0008	Insulation Kit (Includes Item Nos. 13, 14, 16, 17, 18, 19)	245.10	294.51	1
	42001-0074S	Lower Enclosure Insulation	86.08	103.43	1
	42001-0214S	Metal Vent Cover Assembly	CALL	CALL	1
	461063	Kit Gas Conversion NA to LP - MT125	94.58	113.65	1
	461100	Pro Service Package - Master Commonly replaced items in a reusable case	1760.66	2115.61	
	475265	Rodent Resistant Air Orifice Protection Cap	113.08	135.88	

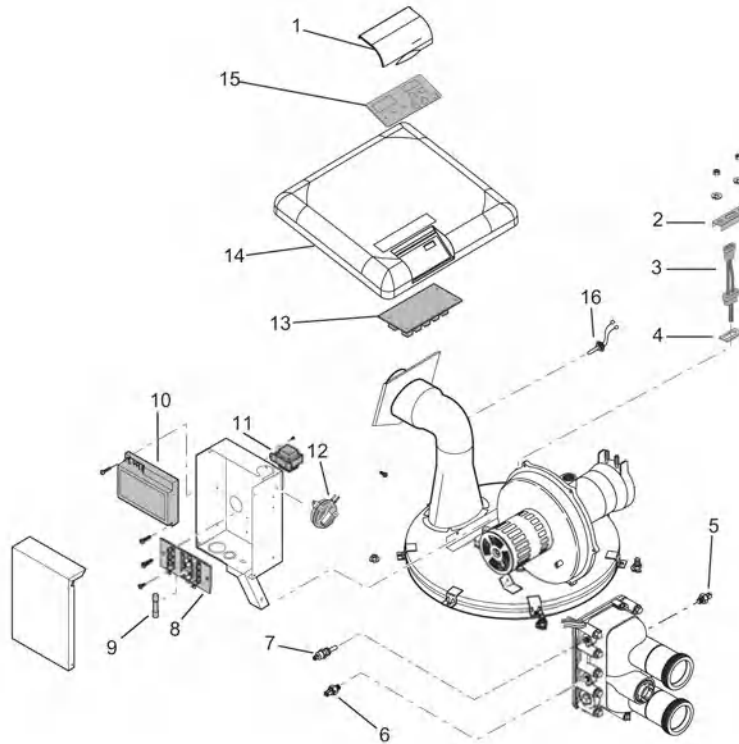
* Not included with heater. Order separately.

¹ For Heaters Manufactured After 11/16/13 (New 9-bolt lid tub design).

Note: Kits include Clamp Assembly, O-Ring, and Silicone Tube.

MASTERTEMP® HEATER (CONT'D)

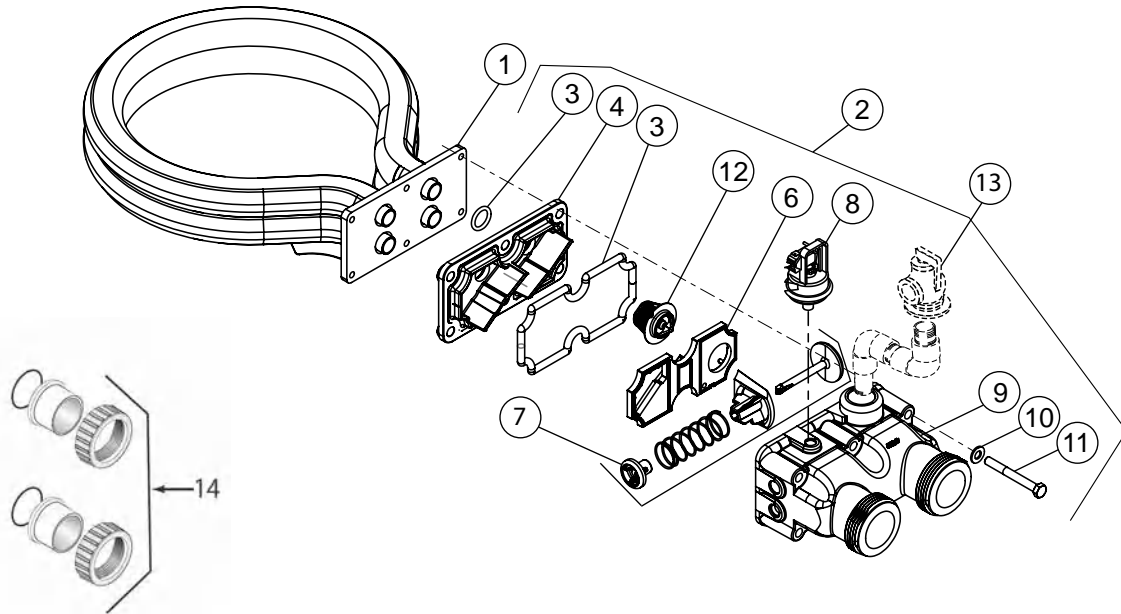
ELECTRICAL SYSTEM REPLACEMENT PARTS



Item	Part No.	Description	US List	Can. List
ELECTRICAL SYSTEM				
1	42002-0035Z	Heater Display Cover	84.00	100.93
2	42001-0030S	Igniter Bracket	84.00	100.93
3	77707-0054	Igniter/Igniter Gasket Kit, Incl. Item Nos. 3 and 4)	130.17	156.41
4	42001-0066S	Igniter Gasket	84.00	100.93
5	42002-0025S	Automatic Gas Shutoff Switch (AGS)	80.06	96.20
6	42001-0063S	High Limit Switch	97.35	116.98
7	42001-0053S	Thermistor	124.34	149.41
8	42001-0056S	Terminal Board	84.00	100.93
9	32850-0099	Fireman's Switch Fuse (1.25A, 1-1/4 in.)	11.74	14.11
10	476223	Ignition Control Module	522.00	627.24
11	42001-0107S	Transformer, 115/230V	106.18	127.59
12	42001-0061S	Air Flow Switch	215.29	258.69
13	461105	Control Board Kit (NA, LP Series)	988.32	1187.57
14	42002-0034Z	Heater, Top	548.07	658.56
15	472610Z	Five Button Membrane Keypad - for heaters made before 5/5/2021	215.69	259.17
15	461106	Six Button Membrane Keypad - For heaters made after 5/6/2021	215.67	259.15
16	42002-0024S	Stack Flue Sensor	187.09	224.81
NOT SHOWN				
	461107	Heater Wiring Harness -115/230V	517.98	622.40
	42001-0105S	120/240 Volt Plug Kit	84.00	100.93
	461101	Pro Service Package - Electrical System Parts (Includes items in a reusable hardcase, #3, #5 qty(2), #6 qty(2), #7 qty(2), #9 qty(3), #12, #16, not shown water pressure switch)	765.51	919.84

MASTERTEMP® 125 HEATER

WATER SYSTEM REPLACEMENT PARTS



Item	Part No.	Description	US List	Can. List
WATER SYSTEM				
1	474971	Tube Sheet Coil Assembly Kit - Includes Item #3. (NA, LP Series)	1414.76	1699.98
2	474972	Manifold Kit (Includes Item #3, #4, #5, #6, #7, #9, #10, & #11; Item #8 and #13 not included)	473.11	568.49
3	474973	Coil/Tubesheet Sealing O-Ring Kit	66.18	79.52
4	474405	Manifold Bottom Plate	CALL	CALL
6	474407	Manifold Baffle Plate	CALL	CALL
7	476198	Manifold Bypass Valve	51.05	61.34
8	42001-0060S	Water Pressure Switch	128.49	154.39
9		Manifold *		
10		5/16" Washer, S.S. *		
11		5/16 x 18 x 2-3/4" Hex Cap Screw *		
12	474989	Thermal Regulator	94.58	113.65
13	473715Z	Pressure Relief Valve (Recommended-Purchased Separately)	245.51	295.00
14	474974	Union 1-1/2" Kit	108.80	130.73

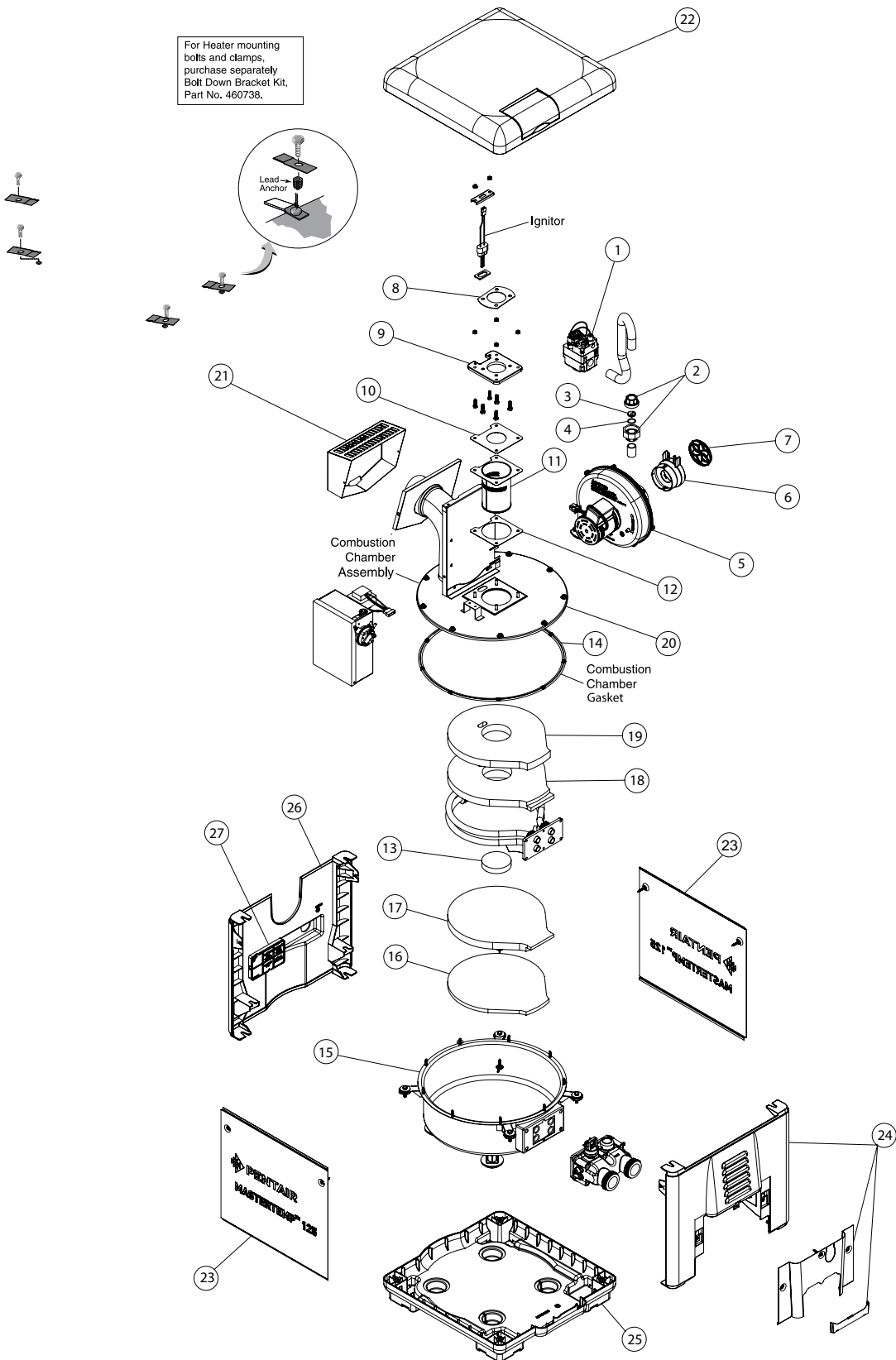
Note: Kits include: O-Rings, Insulation, Igniter and Blower Gaskets.

* Not available separately. See item #2.

MASTERTEMP® 125 HEATER (CONT'D)

BURNER SYSTEM REPLACEMENT PARTS

For Heater mounting bolts and clamps, purchase separately Bolt Down Bracket Kit, Part No. 460738.



MASTERTEMP® 125 HEATER (CONT'D)

BURNER SYSTEM REPLACEMENT PARTS

Item	Part No.	Description	US List	Can. List	Qty.
BURNER SYSTEM					
1	42001-0051S	Combination Gas Control Valve Kit	682.60	820.21	1
2	38404-4097S	3/4 in. Union	55.99	67.28	2
5	474978	Air Blower Kit – Natural Gas	1182.91	1421.38	1
5	474977	Air Blower Kit - Propane	1182.91	1421.38	1
6	474979	Air Orifice Kit (Incl. Item Nos. 6, 7)	67.23	80.78	1
14	474952	Combustion Chamber Gasket Kit	70.94	85.24	1
15	474990	One Piece Metal Chamber/Combustion Chamber Assembly	615.14	739.15	1
20	474958	One Piece Metal Elbow/Combustion Chamber Cover Assembly, 9-Bolt	754.10	906.13	1
21	42002-0005S	Metal Vent Cover	205.45	246.87	1
22	42002-0034Z	Heater Top	548.07	658.56	1
23	474991	Side Panel (Service Panel)	189.22	227.37	1
24	474992	Side Panel (Manifold)	269.67	324.04	1
25	42002-0031Z	Heater Bottom	252.05	302.86	1
26	474993	Side Panel (Flue Stack)	222.32	267.14	1
27	42002-0041Z	J Box Cover	28.00	33.64	1
28	474292	11 ea clips, 11 ea screws, 8 wing nuts	34.99	42.04	1

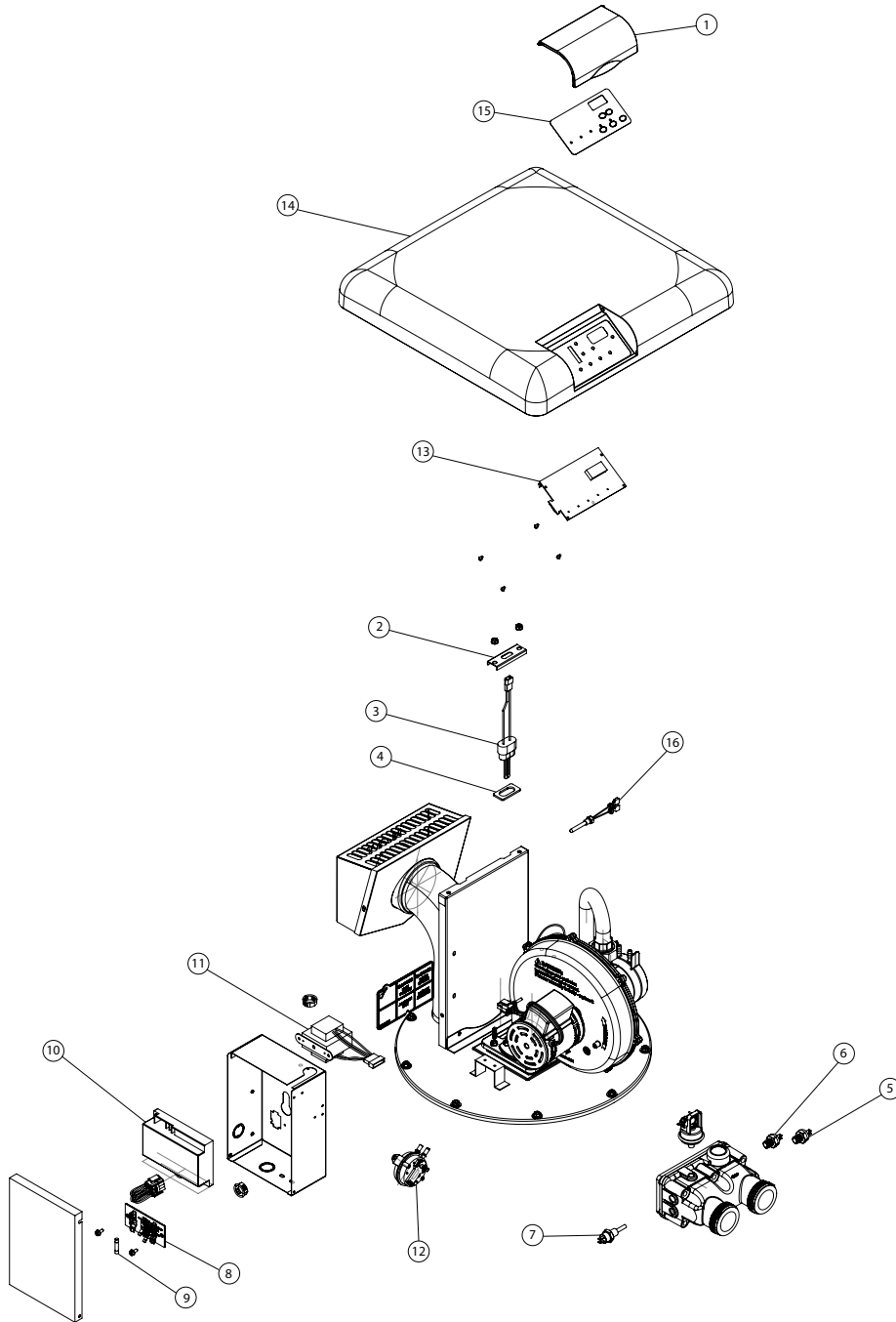
Item	Part No.	Description	US List	Can. List	Qty.
NOT SHOWN					
	474981	Gas Orifice Kit - NG (Incl. Item Nos. 3 and 4) **	70.94	85.24	1
	474980	Gas Orifice Kit - Propane (Incl. Item Nos. 3 and 4) **	70.94	85.24	1
	461063	NG to Propane Conversion Kit (Incl. Item Nos. 3 and 4) **	94.58	113.65	1
	461062	Gas Orifice Kit - Propane to NG Conversion Kit (Incl. Item Nos. 3 and 4) **	CALL	CALL	1
	77707-0011	Blower/Adapter Plate Gasket Kit (Incl. Item Nos. 8, 9, 10, 12)	101.23	121.64	1
	474994	Flameholder Kit (Incl. Item Nos. 10, 11, 12, 13)	236.54	284.23	1
	77707-0008	Insulation Kit (Incl. Item Nos. 13, 14, 16, 17, 18, 19)	245.10	294.51	1
	474845	Direct Air Intake Duct Kit (MasterTemp 125)	421.56	506.55	1

* Not available separately.

** Not included with heater. Order separately.

MASTERTEMP® 125 HEATER (CONT'D)

ELECTRICAL SYSTEM REPLACEMENT PARTS



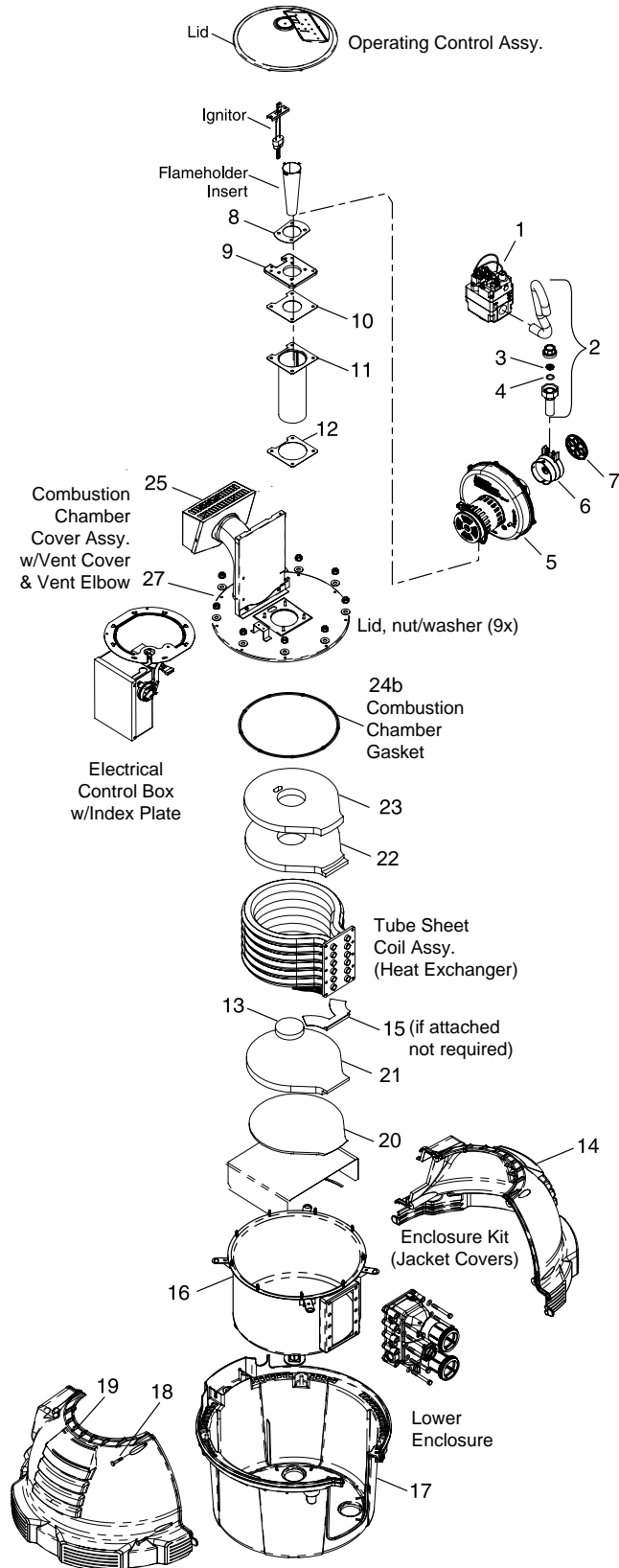
MASTERTEMP® 125 HEATER (CONT'D)

ELECTRICAL SYSTEM REPLACEMENT PARTS

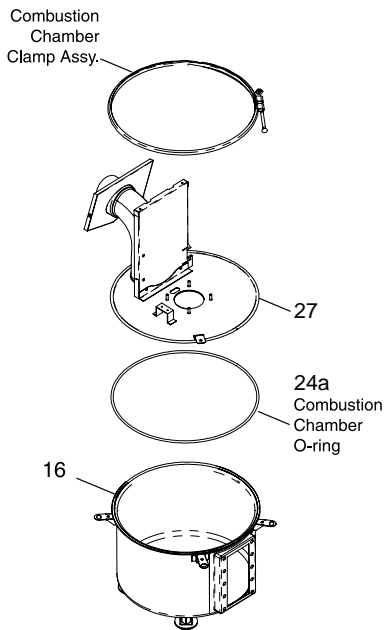
Item	Part No.	Description	US List	Can. List
ELECTRICAL SYSTEM				
1	42002-0035Z	Heater Display Cover	84.00	100.93
2	42001-0030S	Igniter Bracket	84.00	100.93
3	77707-0054	Igniter/Igniter Gasket Kit, Incl. Item Nos. 3 and 4)	130.17	156.41
4	42001-0066S	Igniter Gasket	84.00	100.93
5	42002-0025S	Automatic Gas Shutoff Switch (AGS)	80.06	96.20
6	42001-0063S	High Limit Switch	97.35	116.98
7	42001-0053S	Thermistor	124.34	149.41
8	42001-0056S	Terminal Board	84.00	100.93
9	32850-0099	Fireman's Switch Fuse (1.25A, 1-1/4 in.)	11.74	14.11
10	476223	Ignition Control Module	522.00	627.24
11	42001-0107S	Transformer, 115/230V	106.18	127.59
12	42001-0061S	Air Flow Switch	215.29	258.69
13	461105	Control Board Kit (NA, LP Series)	988.32	1187.57
14	42002-0034Z	Heater, Top	548.07	658.56
15	472610Z	Five Button Membrane Keypad - for heaters made before 5/5/2021	215.69	259.17
15	461106	Six Button Membrane Keypad - For heaters made after 5/6/2021	215.67	259.15
16	42002-0024S	Stack Flue Sensor	187.09	224.81
NOT SHOWN				
	461107	Heater Wiring Harness -115/230V	517.98	622.40
	42001-0105S	120/240 Volt Plug Kit	84.00	100.93

MAX-E-THERM® HEATER

BURNER SYSTEM REPLACEMENT PARTS



CLAMP LID TUB DESIGN



For heaters manufactured between 1/12/2009 and 10/31/2013 (clamp lid tub design)
 Note: Kits also include, O-Ring and Silicon Tube.

MAX-E-THERM® HEATER (CONT'D)

BURNER SYSTEM REPLACEMENT PARTS



Item	Part No.	Description	US List	Can. List
MAX-E-THERM BURNER SYSTEM				
1	42001-0051S	Combination Gas Control Valve Kit	682.60	820.21
2	38404-4097S	3/4 in. Union	55.99	67.28
5	77707-0251	Air Blower Kit, Natural - 200NA Model (Single Volt Blower Adapter Included)	1290.65	1550.85
5	77707-0252	Air Blower Kit, Natural - 333NA Model (Single Volt Blower Adapter Included)	1290.65	1550.85
5	77707-0253	Air Blower Kit, Natural - 400NA Model (Single Volt Blower Adapter Included)	1290.65	1550.85
5	77707-0254	Air Blower Kit, Propane - 200LP Model (Single Volt Blower Adapter Included)	1290.65	1550.85
5	77707-0255	Air Blower Kit, Propane - 333LP Model (Single Volt Blower Adapter Included)	1290.65	1550.85
5	77707-0256	Air Blower Kit, Propane - 400LP Model (Single Volt Blower Adapter Included)	1290.65	1550.85
14	77707-0002	Enclosure Kit, Upper Right-Hand	339.64	408.11
16	474095	One Piece Metal Chamber/Combustion Chamber Assembly ²	CALL	CALL
16	474957	One Piece Metal Chamber/Combustion Chamber Assembly ¹	662.37	795.90
17	42001-0001S	Lower Enclosure	827.57	994.41
19	77707-3200N	Enclosure Kit, Upper Left-Hand – Natural (200)	353.95	425.31
19	77707-3333N	Enclosure Kit, Upper Left-Hand – Natural (333)	353.95	425.31
19	77707-3400N	Enclosure Kit, Upper Left-Hand – Natural (400)	353.95	425.31
19	77707-3200L	Enclosure Kit, Upper Left-Hand – Propane (200)	353.95	425.31
19	77707-3333L	Enclosure Kit, Upper Left-Hand – Propane (333)	353.95	425.31
19	77707-3400L	Enclosure Kit, Upper Left-Hand – Propane (400)	CALL	CALL
24a	474201	Combustion Chamber O-Ring Kit ²	CALL	CALL
24b	474952	Combustion Chamber O-Ring Kit ¹	70.94	85.24
27	474094	One Piece Metal Elbow/Combustion Chamber Cover Assembly ²	CALL	CALL
27	474958	One Piece Metal Elbow/Combustion Chamber Cover Assembly ¹	754.10	906.13
28	42002-0005S	Metal Vent Cover	205.45	246.87
29	42001-0074S	Kit Lower Enclosure Insulation	86.08	103.43

Item	Part No.	Description	US List	Can. List
NOT SHOWN				
	77707-0431	Gas Orifice Kit – Natural - 200 Model (Incl. 3 & 4) *	85.45	102.68
	77707-0421	Gas Orifice Kit – Natural - 333 Model (Incl. 3 & 4) *	85.45	102.68
	77707-0411	Gas Orifice Kit – Natural - 400 Model (Incl. 3 & 4) *	85.45	102.68
	77707-0461	Gas Orifice Kit – Propane - 200 Model (Incl. 3 & 4) *	85.45	102.68
	77707-0451	Gas Orifice Kit – Propane - 333 Model (Incl. 3 & 4) *	85.45	102.68
	77707-0441	Gas Orifice Kit – Propane - 400 Model (Incl. 3 & 4) *	85.45	102.68
	77707-1461	NG to Propane Conversion Kit – 200 Model (Incl. 3 & 4) *	88.35	106.16
	77707-1451	NG to Propane Conversion Kit – 333 Model (Incl. 3 & 4) *	88.35	106.16
	77707-1441	NG to Propane Conversion Kit – 400 Model (Incl. 3 & 4) *	88.35	106.16
	77707-1431	Propane to NG Conversion Kit – 200 Model (Incl. 3 & 4) *	88.35	106.16
	77707-1421	Propane to NG Conversion Kit – 333 Model (Incl. 3 & 4) *	88.35	106.16
	77707-1411	Propane to NG Conversion Kit – 400 Model (Incl. 3 & 4) *	88.35	106.16
	77707-0111	Air Orifice Kit - (Incl. 6 & 7, 200 Model Only)	102.79	123.51
	77707-0112	Air Orifice Kit - (Incl. 6 & 7, 333 Model Only)	102.79	123.51
	77707-0113	Air Orifice Kit - (Incl. 6 & 7, 400 Model Only)	102.79	123.51
	77707-0011	Blower/Adapter Plate Gasket Kit - (Incl. 8, 9, 10, & 12)	101.23	121.64
	77707-0202	Flameholder Kit - 200 Model (Incl. 10, 11, 12 & 13)	240.55	289.04
	77707-0203	Flameholder Kit - 333 Model (Incl. 10, 11, 12, 13, & Flameholder Insert)	270.61	325.16
	77707-0204	Flameholder Kit - 400 Model (Incl. 10, 11, 12, 13, & Flameholder Insert)	315.70	379.35
	42001-0074S	Lower Enclosure Insulation	86.08	103.43
	77707-0008	Insulation Kit (Incl. 13, 15, 20, 21, 22, 23, 24, 25, 26)	245.10	294.51
	77707-0112	Air Orifice Kit 333 Model	102.79	123.51
	77707-0113	Air Orifice Kit 400 Model	102.79	123.51
	461100	Pro Service Package - Master Commonly replaced items in a reusable hardcase	1760.66	2115.61
	475265	Rodent Resistant Air Orifice Protection Cap	113.08	135.88
	42001-0085S	Bolt Down Kit	84.00	100.93

* Not included with heater. Order separately.

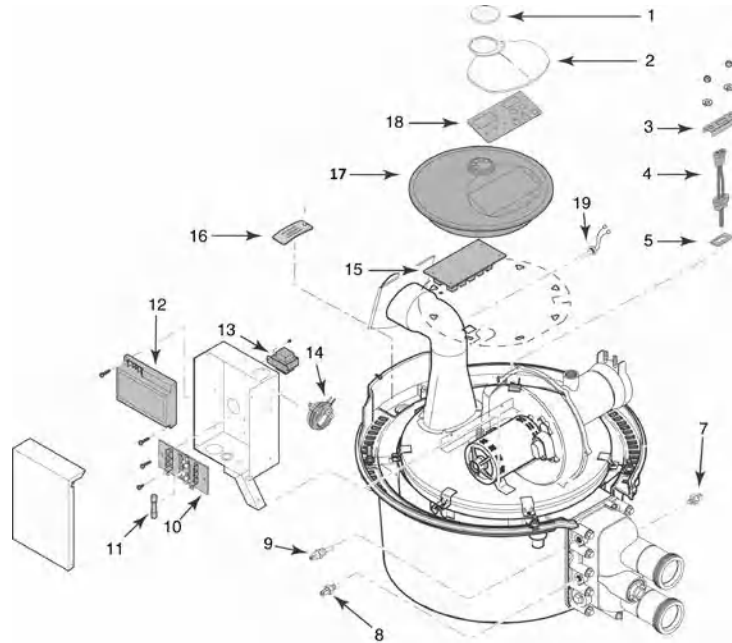
¹ For Heaters Manufactured after 11/16/13 (New 9-Bolt Lid Tub Design).

² For Heaters Manufactured after 1/12/09 (Clamp Lid Tub Design).

Note: Kits include Clamp assembly, O-ring and silicone tube.

MAX-E-THERM® HEATER

ELECTRICAL SYSTEM REPLACEMENT PARTS



Item	Part No.	Description	Qty.	US List	Can. List
MAX-E-THERM ELECTRICAL SYSTEM					
1	77707-0009	Display Cover Retainer Cap Kit, Cap and CPSC Warning Label	1	112.03	134.62
2	42001-0008S	Heater Display Cover	1	62.97	75.66
3	42001-0030S	Igniter Bracket	1	84.00	100.93
4	77707-0054	Igniter/Igniter Gasket Kit (Incl. Key Nos. 4 and 5)	1	130.17	156.41
5	42001-0066S	Igniter Gasket	1	84.00	100.93
7	42002-0025S	Automatic Gas Shutoff Switch (AGS)	1	80.06	96.20
8	42001-0063S	High Limit Switch	1	97.35	116.98
9	42001-0053S	Thermistor	1	124.34	149.41
10	42001-0056S	Terminal Board	1	84.00	100.93
11	32850-0099	Fireman's Switch Fuse (1.25A, 1-1/4 in.)	1	11.74	14.11
12	476223	Ignition Control Module	1	522.00	627.24
13	42001-0107S	Transformer, 115/230V	1	106.18	127.59
13	42001-0057S	Transformer 120/240V, Single Adapter Only*	1	100.26	120.47
14	42001-0061S	Air Flow Switch	1	215.29	258.69
15	461105	Control Board Kit (NA, LP Series)	1	988.32	1187.57
16	77707-0022	Junction Box Cover Kit	1	84.00	100.93

Item	Part No.	Description	Qty.	US List	Can. List
17	77707-0013	Enclosure for Control Board (Incl. #17, 18)	1	422.72	507.94
18	472610Z	Five Button Membrane Keypad - for heaters made before 5/5/2021	1	215.69	259.17
18	461106	Six Button Membrane Keypad - For heaters made after 5/6/2021	1	215.67	259.15
19	42002-0024S	Stack Flue Sensor	1	187.09	224.81
19b	42002-0009	Stack Flue Switch	1	CALL	CALL
NOT SHOWN					
	461107	Heater Wiring Harness - 115/230V	1	517.98	622.40
	42001-0105S	120/240 Volt Plug Kit	1	84.00	100.93
	42002-0009	Temp Probe		CALL	CALL
	42001-0057S	Transformer 120/240 (Dual and Single Adapter)	1	100.26	120.47
	42001-0247	Blower Adapter Dual/Single Volt	1	60.81	73.07
	461101	Pro Service Page - Electrical Parts (includes items in a reusable hardcase: 4, 7 qty (2), 8 qty (2), 9 qty (2), 11 qty (3), 14, 19, not shown water pressure switch)		765.51	919.84

* For single voltage wire harness heaters prior to 2004.

MAX-E-THERM® HEATER (CONT'D)

BURNER SYSTEM REPLACEMENT PARTS



Item	Part No.	Description	US List	Can. List
MAX-E-THERM BURNER SYSTEM				
1	42001-0051S	Combination Gas Control Valve Kit	682.60	820.21
2	38404-4097S	3/4 in. Union	55.99	67.28
5	77707-0251	Air Blower Kit, Natural - 200NA Model (Single Volt Blower Adapter Included)	1290.65	1550.85
5	77707-0252	Air Blower Kit, Natural - 333NA Model (Single Volt Blower Adapter Included)	1290.65	1550.85
5	77707-0253	Air Blower Kit, Natural - 400NA Model (Single Volt Blower Adapter Included)	1290.65	1550.85
5	77707-0254	Air Blower Kit, Propane - 200LP Model (Single Volt Blower Adapter Included)	1290.65	1550.85
5	77707-0255	Air Blower Kit, Propane - 333LP Model (Single Volt Blower Adapter Included)	1290.65	1550.85
5	77707-0256	Air Blower Kit, Propane - 400LP Model (Single Volt Blower Adapter Included)	1290.65	1550.85
14	77707-0002	Enclosure Kit, Upper Right-Hand	339.64	408.11
16	474095	One Piece Metal Chamber/Combustion Chamber Assembly ²	CALL	CALL
16	474957	One Piece Metal Chamber/Combustion Chamber Assembly ¹	662.37	795.90
17	42001-0001S	Lower Enclosure	827.57	994.41
19	77707-3200N	Enclosure Kit, Upper Left-Hand – Natural (200)	353.95	425.31
19	77707-3333N	Enclosure Kit, Upper Left-Hand – Natural (333)	353.95	425.31
19	77707-3400N	Enclosure Kit, Upper Left-Hand – Natural (400)	353.95	425.31
19	77707-3200L	Enclosure Kit, Upper Left-Hand – Propane (200)	353.95	425.31
19	77707-3333L	Enclosure Kit, Upper Left-Hand – Propane (333)	353.95	425.31
19	77707-3400L	Enclosure Kit, Upper Left-Hand – Propane (400)	CALL	CALL
24a	474201	Combustion Chamber O-Ring Kit ²	CALL	CALL
24b	474952	Combustion Chamber O-Ring Kit ¹	70.94	85.24
27	474094	One Piece Metal Elbow/Combustion Chamber Cover Assembly ²	CALL	CALL
27	474958	One Piece Metal Elbow/Combustion Chamber Cover Assembly ¹	754.10	906.13
28	42002-0005S	Metal Vent Cover	205.45	246.87
29	42001-0074S	Kit Lower Enclosure Insulation	86.08	103.43

Item	Part No.	Description	US List	Can. List
NOT SHOWN				
	77707-0431	Gas Orifice Kit – Natural - 200 Model (Incl. 3 & 4) *	85.45	102.68
	77707-0421	Gas Orifice Kit – Natural - 333 Model (Incl. 3 & 4) *	85.45	102.68
	77707-0411	Gas Orifice Kit – Natural - 400 Model (Incl. 3 & 4) *	85.45	102.68
	77707-0461	Gas Orifice Kit – Propane - 200 Model (Incl. 3 & 4) *	85.45	102.68
	77707-0451	Gas Orifice Kit – Propane - 333 Model (Incl. 3 & 4) *	85.45	102.68
	77707-0441	Gas Orifice Kit – Propane - 400 Model (Incl. 3 & 4) *	85.45	102.68
	77707-1461	NG to Propane Conversion Kit – 200 Model (Incl. 3 & 4) *	88.35	106.16
	77707-1451	NG to Propane Conversion Kit – 333 Model (Incl. 3 & 4) *	88.35	106.16
	77707-1441	NG to Propane Conversion Kit – 400 Model (Incl. 3 & 4) *	88.35	106.16
	77707-1431	Propane to NG Conversion Kit – 200 Model (Incl. 3 & 4) *	88.35	106.16
	77707-1421	Propane to NG Conversion Kit – 333 Model (Incl. 3 & 4) *	88.35	106.16
	77707-1411	Propane to NG Conversion Kit – 400 Model (Incl. 3 & 4) *	88.35	106.16
	77707-0111	Air Orifice Kit - (Incl. 6 & 7, 200 Model Only)	102.79	123.51
	77707-0112	Air Orifice Kit - (Incl. 6 & 7, 333 Model Only)	102.79	123.51
	77707-0113	Air Orifice Kit - (Incl. 6 & 7, 400 Model Only)	102.79	123.51
	77707-0011	Blower/Adapter Plate Gasket Kit - (Incl. 8, 9, 10, & 12)	101.23	121.64
	77707-0202	Flameholder Kit - 200 Model (Incl. 10, 11, 12 & 13)	240.55	289.04
	77707-0203	Flameholder Kit - 333 Model (Incl. 10, 11, 12, 13, & Flameholder Insert)	270.61	325.16
	77707-0204	Flameholder Kit - 400 Model (Incl. 10, 11, 12, 13, & Flameholder Insert)	315.70	379.35
	42001-0074S	Lower Enclosure Insulation	86.08	103.43
	77707-0008	Insulation Kit (Incl. 13, 15, 20, 21, 22, 23, 24, 25, 26)	245.10	294.51
	77707-0112	Air Orifice Kit 333 Model	102.79	123.51
	77707-0113	Air Orifice Kit 400 Model	102.79	123.51
	461100	Pro Service Package - Master Commonly replaced items in a reusable hardcase	1760.66	2115.61
	475265	Rodent Resistant Air Orifice Protection Cap	113.08	135.88
	42001-0085S	Bolt Down Kit	84.00	100.93

* Not included with heater. Order separately.

¹ For Heaters Manufactured after 11/16/13 (New 9-Bolt Lid Tub Design).

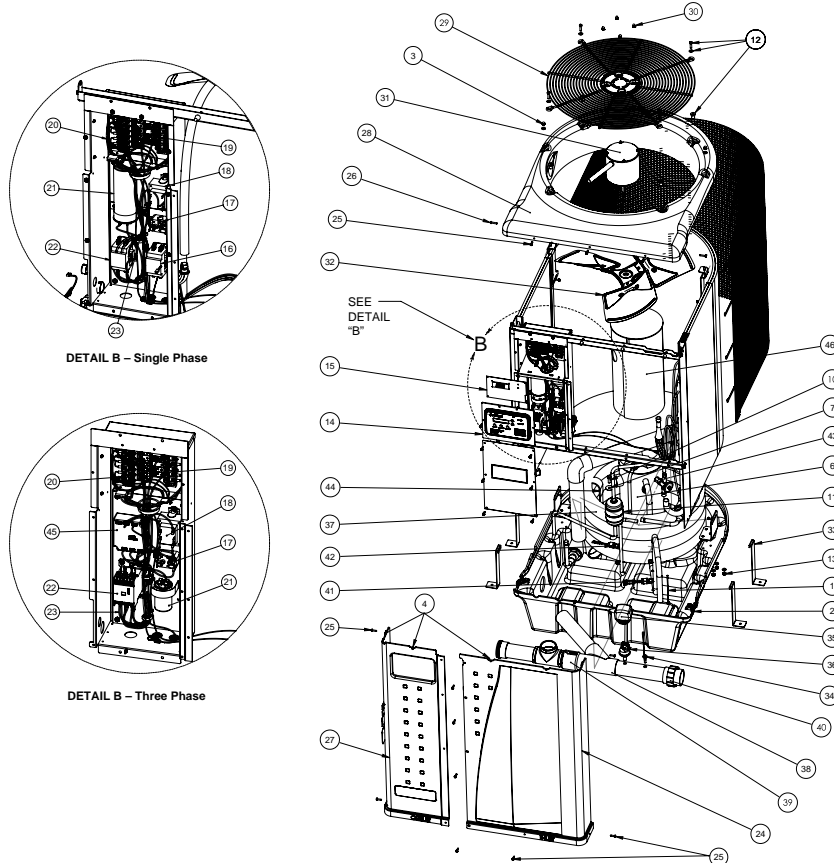
² For Heaters Manufactured after 1/12/09 (Clamp Lid Tub Design).

Note: Kits include Clamp assembly, O-ring and silicone tube.

ULTRATEMP® HEAT PUMP

460833, 460863, 460928, 460929, 460930, 460931, 460932, 460933,
460934, 460935, 460936, 460937, 460938, 460958, 460959, 460960, 460961,
460962, 460963, 460964, 460965, 460967, 462032 & 462033

REPLACEMENT PARTS



Item	Part No.	Description	US List	Can. List
ULTRATEMP REPLACEMENT PARTS				
1	473665	PROBE THERMISTOR DEFROST SENSOR	66.56	79.98
2	470284	NUT, J-CLIP	4.68	5.62
3	473285	NUT, 1/4-20 SS ACORN	1.97	2.37
4	470281	NUT, U-CLIP	3.90	4.69
5	473732	WIRE HARNESS, COMPRESSOR (1PH-60HZ) (For ZP49, ZP61, ZP70, and ZP83 compressors)	147.50	177.24
5	476233	Wire Harness, Compressor (1PH-60HZ) (For ARA083KA, ARA072KA, ARA061KA, and ABG049KAC compressors)	147.50	177.24
5	474009	WIRE HARNESS, COMPRESSOR (1PH-50HZ)	153.94	184.97
5	474010	WIRE HARNESS, COMPRESSOR (3-PHASE MODELS)	153.25	184.15
6	473734Z	COMPRESSOR, SCROLL ZP83 (MODEL 120, 120HC, 140, 140 HC ONLY) FG UNITS BUILT BEFORE 12/21/20	4094.72	4920.22
6	473735Z	COMPRESSOR, SCROLL ZP70 (MODEL 110 ONLY) FG UNITS BUILT BEFORE 12/14/20	3634.32	4367.00
6	474011Z	COMPRESSOR, SCROLL ZP83 (3-PHASE MODEL 120C, 140C ONLY)	4057.11	4875.02
6	474241Z	COMPRESSOR, SCROLL ZP61 (MODEL 90 ONLY) FG UNITS BUILT BEFORE 1/6/21	3300.87	3966.33
6	474291Z	COMPRESSOR, SCROLL ZP49 (MODEL 70 ONLY) FG UNITS BUILT BEFORE 1/6/21	2815.46	3383.06
6	476230Z	COMPRESSOR, SCROLL ARA083KA (MODEL 120Q, 120HC, 140, 140 HC) FG UNITS BUILT ON AND AFTER 12/21/20 (ACTIVE DEFROST UNITS SWITCHED TO NEW COMPRESSOR ON 5/10/21)	3634.32	4367.00
6	476229Z	COMPRESSOR, SCROLL ARA072KA (MODEL 110 ONLY) FG UNITS BUILT ON AND AFTER 12/14/20	4094.72	4920.22
6	476228Z	COMPRESSOR, SCROLL ARA061KA (MODEL 90 ONLY) FG UNITS BUILT ON AND AFTER 1/6/21	2815.46	3383.06
6	476227Z	COMPRESSOR, SCROLL ABG049KAC (MODEL 70 ONLY) FG UNITS BUILT ON AND AFTER 1/6/21	3300.87	3966.33
7	473295	FENDER WASHER	1.97	2.37
8	473736	COMPRESSOR ISOLATION KIT, GROMMET AND SPACER 1 SET	41.86	50.30
9	473745	BOLT 5/16-18 x 2 in. SS	6.81	8.18
10	98219800	BOLT 5/16-18 x 1 in. SS	2.38	2.86
11	473121	DRIER (ALL MODELS EXCEPT 120HC, 140HC)	144.29	173.38
11	473139	DRIER (MODEL 120HC, 140HC)	428.71	515.14
12	470441	FAN GUARD FASTENER KIT	11.95	14.36

ULTRATEMP® HEAT PUMP (CONT'D)

Item	Part No.	Description	US List	Can. List	Item	Part No.	Description	US List	Can. List
13	071406	NUT, 1/4-20 HEX SS	CALL	CALL	32	475271Z	FAN BLADE (MODEL 120Q ONLY)	333.33	CALL
14/15	472734	BEZEL, CONTRL BOARD & LABEL KIT	665.75	799.97	33	470137	TIE DOWN BRACKET	30.13	36.20
16	473603Z	PUMP CONTACTOR AUTOHEAT REPLACEMENT KIT (MODEL 70, 90, 110, 120, 120 H/C, 140, 140H/C)	502.13	603.36	34	471566	PROBE THERMISTERS - WATER TEMPERATURE	81.89	98.40
17	473150	FAN RELAY	169.01	203.08	35	473606	WATER PRESSURE SWITCH BOOT	10.09	12.12
17	474016	FAN RELAY (3PH-50HZ ONLY)	CALL	CALL	36	473605	WATER PRESSURE SWITCH	115.43	138.70
18	473155	TRANSFORMER	246.97	296.76	37	473992	TITANIUM HEAT EXCHANGER (FOR ALL MODELS BUILT PRIOR TO JAN 2017, EXCEPT MODELS 100I, 90I, 90, 70)	4800.91	5768.77
18	473790	TRANSFORMER (3PH-50HZ ONLY)	260.94	313.55	37	472736	TITANIUM HEAT EXCHANGER (FOR MODELS 100I & 90 ONLY, UNITS BUILT PRIOR TO JAN 2017)	4798.22	5765.54
19	473422	WIRE HARNESS TERMINAL BLOCK-FAN, COMPRESSOR	127.22	152.87	37	475193Z	TITANIUM HEAT EXCHANGER (FOR ALL MODELS EXCEPT 70, UNITS BUILT AFTER JAN 2017)	3534.72	4247.32
20	473315	WIRE HARNESS, TERMINAL BLOCK-SENSORS	155.33	186.64	37	475219Z	TITANIUM HEAT EXCHANGER (FOR MODEL 70 ONLY, UNITS BUILT AFTER JAN 2017)	3326.80	3997.48
21	473731Z	CAPACITOR WITH BRACKET (MODEL 70, 90, 110, 120, 120Q, 120HC, 140, 140HC ONLY)	CALL	CALL	38	473774Z	WATER BYPASS MANIFOLD W/ 2 STREET ELBOWS (PRIOR TO JAN. 2017)	738.65	887.56
21	473154	CAPACITOR (3-PHASE MODEL 120C, 140C ONLY)	91.19	109.57	38	475176Z	WATER MANIFOLD BYPASS KIT	530.19	637.08
21	470146	CAPACITOR (MODEL 100I)	125.50	150.80	39	R172305	WATER BYPASS CHECK VALVE	CALL	CALL
22	473149	CONTACTOR, HEAT PUMP (ALL SINGLE PHASE MODELS PRIOR TO 12/2014)	262.42	315.32	40	473381	UNION PVC 2 in.	42.50	51.07
22	473778	CONTACTOR, HEAT PUMP (3-PHASE MODELS; ALL SINGLE PHASE MODELS POST 2014)	673.05	808.74	41	473656	SWITCH, LOW PRESSURE	174.35	209.50
23	473423	WIRE HARNESS, MAIN (ALL SINGLE PHASE MODELS PRIOR TO 12/2014)	123.19	148.03	42	473744	SWITCH, HIGH PRESSURE	142.33	171.02
23	475112	WIRE HARNESS, MAIN (ALL SINGLE PHASE MODELS)	123.17	148.00	43	473787	THERMOSTATIC EXPANSION VALVE (MODEL 120, 120C, 120Q, 90I)	375.29	450.95
23	474021	WIRE HARNESS, MAIN (3-PHASE MODEL 120C, 140C ONLY)	224.32	269.54	43	473999	THERMOSTATIC EXPANSION VALVE (MODEL 120HC, 110)	375.29	450.95
23	474031	WIRE HARNESS, MAIN (3-PHASE MODEL 90I ONLY)	234.84	282.18	43	474248	THERMOSTATIC EXPANSION VALVE (MODEL 100I)	375.28	450.94
24	473742	PANEL, FRONT RIGHT, 36 in. ALMD.	359.58	432.07	43	474242	THERMOSTATIC EXPANSION VALVE (MODEL 70, 90)	CALL	CALL
24	474194	PANEL, FRONT RIGHT, 36 in. BLACK	359.58	432.07	43	474327	THERMOSTATIC EXPANSION VALVE (MODELS 140, 140HC)	377.04	453.05
24	473431	PANEL, FRONT RIGHT (MODEL 100I ONLY)	351.18	421.98	44	473772	TITANIUM WATER COIL TIE DOWN STRAP (1 ON ALL MODELS EXCEPT MODEL 90I) (PRIOR TO JAN. 2017)	78.23	94.00
24	473412	PANEL, FRONT RIGHT (MODEL 70, 90, 90I ONLY)	308.32	370.48	44	473789	TITANIUM WATER COIL TIE DOWN STRAP (1 ON ALL MODELS EXCEPT MODELS 90, 90I & 100I) (PRIOR TO JAN. 2017)	119.32	143.37
24	474265	PANEL, FRONT RIGHT (MODEL 70 BLACK, 90 BLACK)	CALL	CALL	44	475194	TITANIUM WATER COIL TIE DOWN, RIGHT SIDE	42.43	50.98
25	470159	SCREW #10 x .75 in. PAN HEAD PHILLIPS, ALMOND HEAD	1.97	2.37	44	475195	TITANIUM WATER COIL TIE DOWN, LEFT SIDE	42.43	50.98
25	474198	SCREW #10 x .75 in. PAN HEAD PHILLIPS, BLACK HEAD	1.97	2.37	45	474089	PHASE MONITOR	376.51	452.41
26	470161	SCREW #10 x 1 in. BUTTON HEAD TORX, ALMOND HEAD	1.97	2.37	46	475231Z	COMPRESSOR BLANKET	CALL	CALL
26	474197	SCREW #10 x 1 in. BUTTON HEAD TORX, BLACK HEAD	1.97	2.37	NOT SHOWN				
27	473755	PANEL, FRONT LEFT, W/ DECAL	380.38	457.06	473135		REVERSING VALVE (Model 120HC, 140HC) HEAT COOL ONLY	CALL	CALL
27	474196	PANEL, FRONT LEFT, W/ DECAL, 36 in. BLACK	380.38	457.06	473432		REVERSING SOLENOID (Model 120HC, 140HC) HEAT COOL ONLY	317.43	381.42
27	474202	PANEL, FRONT LEFT, W/ DECAL (MODEL 100I ONLY), 36 in.	370.93	445.71	474270Z		TITANIUM COIL WATER SIDE REPAIR KIT (FOR HEAT EXCHANGER BUILT PRIOR TO JAN. 2017)	145.63	174.99
27	474203	PANEL, FRONT LEFT, W/ DECAL (MODEL 70, 90, AND 90I ONLY)	349.03	419.39	474237		COMPRESSOR HARNESS CLIP	13.01	15.63
27	474267	PANEL, FRONT LEFT, W/ DECAL, 24 in. BLACK	349.01	419.37	461030Z		WATER UNION & TIE DOWN KIT	110.94	133.31
28	473773	HP TOP, ALMOND	651.15	782.42	474321		3 IN. RECEIVER (MODEL 140, 140HC)	353.47	424.73
28	474193	HP TOP, BLACK	651.15	782.42	473054Z		COIL GUARD	282.78	339.79
28	475273	HP TOP, ALMOND (MODEL 120Q ONLY)	651.12	782.39	475232		MALE HOSE BARB 5/8" X 1/2" NPT	8.49	10.20
28	475274	HP TOP, BLACK (MODEL 120Q ONLY)	651.12	782.39	472409		COREMAX VALVE CORE	CALL	CALL
29	473786	GUARD, FAN	239.42	287.69	071426		O-RING FOR UNION	2.47	2.97
30	470439	NUT, #10-32 SS ACORN	7.79	9.36	476422Z		HARD START CAPACITOR KIT	CALL	CALL
31	473785	FAN MOTOR W/ ACORN NUT KIT	584.25	702.03	476352Z		Bracket, Top (For Model 120Q only)	64.10	77.02
31	474030Z	FAN MOTOR W/ ACORN NUT KIT (MODEL 90I ONLY)	808.86	971.93					
31	474323Z	FAN MOTOR W/ACORN NUT KIT (MODEL 140 & 140HC ONLY)	612.44	735.91					
32	473783Z	FAN BLADE (60 Hz)	277.78	CALL					
32	474230	FAN BLADE (50 Hz)	275.35	330.86					
32	474322Z	FAN BLADE (MODELS 140 & 140HC ONLY)	333.33	CALL					

Pentair Lights & Niches

MicroBrite Color and White LED Light

- Energy-saving, LED efficiency from the industry's most compact 12V LED plastic light
- Only 3.5 inches long, fits into narrow walls and tight spaces, can be installed horizontally or vertically
- No niche required — installs in any standard 1.5 inch pool wall fitting
- Suitable for retrofit into many pools with older fiber-optic systems
- Can be installed horizontally or vertically
- Connect to any Pentair control system or the Pentair Colorsync® Controller
- MicroBrite Color Lights allow 5 predetermined fixed colors or 7 popular “color shows” that come preprogrammed into the MicroBrite Light



Part Number	Description	Dealer Price	List Price
PEN602130	LT 2 MICROBRITE COMBO COLOR 100'300W XFMR	\$1,192.16	\$1,834.09
PEN602133	LT 4 MICROBRITE COMBO COLOR 100'300W XFMR	\$2,222.89	\$3,419.82
PEN620424	MICROBRITE COLOR 50'	\$468.31	\$720.48
PEN620425	MICROBRITE COLOR 100'	\$515.36	\$792.86
PEN620426	MICROBRITE COLOR 150'	\$574.14	\$883.29
PEN620428	MICROBRITE WHITE 50'	\$418.45	\$643.77
PEN620429	MICROBRITE WHITE 100'	\$444.91	\$684.48
PEN620430	MICROBRITE WHITE 150'	\$468.95	\$721.46

MicroBrite Replacement Kits

Part Number	Description	List Price
PENP618040	ADAPTER—MICROBRITE TO GLOBRITE	\$30.80
PENP620459	INSTALLATION TOOL MICROBRITE RPLCMNT	\$36.23
PENP620460	LIGHT ADAPTER MICROBRITE RPLCMNT	\$32.34
PENP620463	ORING CONDUIT MICROBRITE REPLCMNT	\$22.40

Pentair Lights & Niches

GloBrite LED Color Lights

GloBrite LED Lights

- Compatible with EasyTouch, IntelliTouch, and IntelliBrite Controller
- Quick and easy installation - Does not require bonding or grounding
- Can be placed in as little as 4" of water
- UL approved
- Call for availability

Part Number	Description	Dealer Price	List Price
PEN602053	LT GLOBRITE 12V 30' COLOR	\$421.59	\$648.60
PEN602054	LT GLOBRITE 12V 50' COLOR	\$445.50	\$685.38
PEN602055	LT GLOBRITE 12V 100' COLOR	\$496.18	\$763.35
PEN602056	LT GLOBRITE 12V 150' COLOR	\$560.88	\$862.89
PENP619963	XFMR 120 TO 12 13 OR 14 300W	N/A	\$311.39

GloBrite LED White Lights

Part Number	Description	Dealer Price	List Price
PEN602103	LT GLOBRITE 12V 50' WHITE	\$373.71	\$574.93
PEN602104	LT GLOBRITE 12V 100' WHITE	\$436.00	\$670.77
PEN602105	LT GLOBRITE 12V 150' WHITE	\$498.30	\$766.61
PENP619962	XFMR 120 TO 12 13 14 VAC 100W	N/A	\$295.68

GloBrite Niches & Kits



GloBrite Niches for Gunite, Vinyl, and Fiberglass Pools

Part Number	Description	Dealer Price	List Price
PEN620039	NICHE VNYL GLOBRT	\$15.37	\$23.64
PEN620040	NICHE GNITE GLOBRT	\$33.29	\$51.22
PEN620041	NICHE FBRGLS GLOBRT WHT	\$15.37	\$23.64
PEN620093	NICHE FBRGLS GLOBRT BLU	\$15.37	\$23.64
PEN620094	NICHE FBRGLS GLOBRT GRY	\$15.37	\$23.64

GloBrite Combo Kits

Part Number	Description	Dealer Price	List Price
PEN619993	GUNITE COMBO 1GLOBRT 12V 100' 300W XFMR	\$689.93	\$1,061.43
PEN619994	GUNITE COMBO 2GLOBRT 12V 100' 300W XFMR	\$1,218.44	\$1,874.52
PEN620051	FIBERGLASS COMBO 1GLOBRT 100' W/300W XFMR FBRG NCH	\$659.76	\$1,015.01
PEN620052	FIBERGLASS COMBO 2GLOBRT 100' W/300W XFMR 2FBRG NCH	\$1,169.22	\$1,798.81
PEN620080	VINYL COMBO 1GLOBRT 100' W/300W XFMR VVNL NCH	\$659.76	\$1,015.01
PEN620081	VINYL COMBO 2GLOBRT 100' W/300W XFMR 2VVNL NCH	\$1,169.22	\$1,798.81

Pentair Lights & Niches

IntelliBrite

IntelliBrite LED Color Underwater Pool Lights 5G

- Ability to give you a customized personal light show
- Designed to work with IntelliTouch and EasyTouch control systems

Part Number	Description	Dealer Price	List Price
PEN601000*	LT INTLBRT 5G 30' 120V COLOR POOL	\$1,029.71	\$1,584.17
PEN602185	LT IB AS 30' 120V COLOR POOL	\$786.80	\$1,210.47
PEN601001*	LT INTLBRT 5G 50' 120V COLOR POOL	\$1,494.99	\$2,299.98
PEN602186	LT IB AS 50' 120V COLOR POOL	\$1,088.87	\$1,675.18
PEN601002*	LT INTLBRT 5G 100' 120V COLOR POOL	\$1,719.24	\$2,644.98
PEN602187	LT IB AS 100' 120V COLOR POOL	\$1,170.82	\$1,801.27
PEN601003*	LT INTLBRT 5G 150' 120V COLOR POOL	\$1,743.16	\$2,681.78
PEN602188	LT IB AS 150' 120V COLOR POOL	\$1,229.37	\$1,891.34
PEN602206	LT IB AS 250' 120V COLR POOL	\$1,405.00	\$2,161.54
PEN601010*	LT INTLBRT 5G 30' 12V COLOR POOL	\$1,943.49	\$2,989.98
PEN602151	LT IB AS 30' 12V COLOR POOL	\$1,030.32	\$1,585.11
PEN601011*	LT INTLBRT 5G 50' 12V COLOR POOL	\$1,463.50	\$2,251.54
PEN602152	LT IB AS 50' 12V COLOR POOL	\$1,079.67	\$1,661.04
PEN601012*	LT INTLBRT 5G 100' 12V COLOR POOL	\$2,033.19	\$3,127.98
PEN602153	LT IB AS 100' 12V COLOR POOL	\$1,181.89	\$1,818.29
PEN601013*	LT INTLBRT 5G 150' 12V COLOR POOL	\$2,257.44	\$3,472.98
PEN602154	LT IB AS 150' 12V COLOR POOL	\$1,284.13	\$1,975.59
PEN618031	COLORSYNC CONTROLLER	\$380.30	\$585.07

*Albany Only

IntelliBrite LED White Lights 5G

- Designed to work with IntelliTouch and EasyTouch systems

Part Number	Description	Dealer Price	List Price
PEN602193	LT IB AS 30' 120V WHT SPA	\$639.41	\$983.71
PEN640141*	LT IB 5G 50' 120V WHT SPA	\$643.28	\$989.67
PEN602194	LT IB AS 50' 120V WHT SPA	\$660.73	\$1,016.51
PEN640142*	LT IB 5G 100' 120V WHT SPA	\$670.21	\$1,031.09
PEN602195	LT IB AS 100' 120V WHT SPA	\$710.45	\$1,093.01
PEN640143*	LT IB 5G 150' 120V WHT SPA	\$730.80	\$1,124.31
PEN602196	LT IB AS 150' 120V WHT SPA	\$745.98	\$1,147.65

IntelliBrite LED White Lights 120 V

- Most efficient white LED on the market
- Lens can be rotated 180° to provide wide or narrow beam patterns

Pentair Lights & Niches

IntelliBrite (continued)

IntelliBrite LED White Lights 120 V

- Most efficient white LED on the market
- Lens can be rotated 180° to provide wide or narrow beam patterns

Part Number	Description	Dealer Price	List Price
PEN601102*	LT IB 5G 100' 120V 300W WHT POOL UL/CSA	\$706.49	\$1,086.91
PEN602183	LT IB AS 100' 120V 300W WHT POOL	\$749.32	\$1,152.81
PEN601201*	LT IB 5G 50' 120V 400W WHT POOL UL/CSA	\$700.06	\$1,077.02
PEN601202	LT IB 5G 100' 120V 400W WHT POOL UL/CSA	\$760.84	\$1,170.52
PEN601301*	LT IB 5G 50' 120V 500W WHT POOL UL/CSA	\$751.69	\$1,156.44
PEN602178	LT IB AS 50' 120V 500W WHT POOL	\$783.99	\$1,206.14
PEN601302*	LT IB 5G 100' 120V 500W WHT POOL UL/CSA	\$812.46	\$1,249.94
PEN602179	LT IB AS 100' 120V 500W WHT POOL	\$843.00	\$1,296.92
PEN601303*	LT IB 5G 150' 120V 500W WHT POOL UL/CSA	\$877.34	\$1,349.76
PEN602180	LT IB AS 150' 120V 500W WHT POOL	\$885.14	\$1,361.76

IntelliBrite LED White Lights 12 V

Part Number	Description	Dealer Price	List Price
PEN601306*	LT IB 5G 50' 12V 500W WHT POOL UL/CSA	\$718.65	\$1,105.61
PEN602140	LT IB AS 50' 12V 500W WHT POOL	\$790.51	\$1,216.17
PEN601307*	LT IB 5G 100' 12V 500W WHT POOL UL/CSA	\$812.46	\$1,249.94
PEN602141	LT IB AS 100' 12V 500W WHT POOL	\$851.43	\$1,309.90
PEN602142	LT IB AS 150' 12V 500W WHT POOL	\$927.30	\$1,426.62

*Available in Albany only

IntelliBrite LED Color 5G 120 V Spa Light

Part Number	Description	Dealer Price	List Price
PEN640120	LT IB 5G 30'120V COLOR SPA UL/CSA	\$824.18	\$1,267.97
PEN602201	LT IB AS 30' 120V COLOR SPA	\$864.07	\$1,329.33
PEN640121	LT IB 5G 50'120V COLOR SPA UL/CSA	\$849.83	\$1,307.44
PEN602202	LT IB AS 50' 120V COLOR SPA	\$892.87	\$1,373.65
PEN640122	LT IB 5G 100'120V COLOR SPA UL/CSA	\$911.29	\$1,401.99
PEN602203	LT IB AS 100' 120V COLOR SPA	\$960.07	\$1,477.04
PEN640123	LT IB 5G 150'120V COLOR SPA UL/CSA	\$967.46	\$1,488.40
PEN602204	LT IB AS 150' 120V COLOR SPA	\$1,008.08	\$1,550.89

Light Accessories

Part Number	Description	Dealer Price	List Price
PENP789001	LENS SET KWIK CHANGE RED GREEN BLUE	\$57.33	\$114.66
PENP650015	CVR SPA LENS MAGENTA	\$5.21	\$10.42
PENP650016	CVR SPA LENS PURP	\$5.21	\$10.42
PENP650017	CVR SPA LENS TEAL	\$5.21	\$10.42
PENP650018	CVR SPA LENS GREEN	\$5.21	\$10.42

Pentair Lights & Niches

Amerlite

Amerlite

- Underwater lights w/ stainless steel shell and face ring
- Prismatic tempered lens



Part Number	Description	Dealer Price	List Price
PEN78458100	AM SS 500W 120V 50'	\$361.91	\$556.78
PEN78456300	AM SS 500W 120V 100'	\$440.29	\$677.37
PEN78457100	AM SS 500W 120V 150'	\$513.29	\$789.68
PEN78428100	AM SS 300W 120V 50'	\$329.56	\$507.01
12 VOLT			
PEN78435100	AM SS 300W 12V 100'	\$547.93	\$842.97
PEN78438100	AM SS 300W 12V 50'	\$379.64	\$584.06

Amerlite Large Niches

- Stainless steel housing
- Brass hub

Part Number	Description	Dealer Price	List Price
FOR CONCRETE AND GUNITE POOLS			
PEN78210500	FIX HSG 1" CN5 TOP CONC	\$102.98	\$158.42
PEN78210600	FIX HSG 1"CN5 BCK CONC	\$102.98	\$158.42
FOR VINYL AND FIBERGLASS POOLS (Standard 10-Hole Pattern)			
PEN78232500	FIX HSG 1"CN5LH XLG SCW	\$202.86	\$312.09

AmerBrite White & Color LED Replacement Lamp for Amerlite

Brightest and most efficient LED lamp, LED provides longer life, creates more uniform light distribution

Part Number	Description	Dealer Price	List Price
PEN602076*	WHITE 120V LED 400W EQUIVALENT	\$289.10	\$444.77
PEN602077*	WHITE 120V LED 500W EQUIVALENT	\$225.85	\$347.46
PEN602065*	LAMP AMBRT COLOR 120V	\$358.26	\$551.17

*Discontinued item - available while supplies last

Niches for Concrete and Vinyl Pools

Part Number	Description	Dealer Price	List Price
Plastic Niche, Vinyl QuickNiche			
PEN620004	QUICK NICHE ASY	\$168.23	\$258.82
Plastic Niche, Concrete			
PEN79206600	NICHE SM PLAS W/SHIELD	\$71.36	\$109.78
PEN79206700	NICHE LG PLAS W/SHIELD	\$78.89	\$121.37

Pentair Lights & Niches

AquaLuminator

AquaLuminator AG Pool Light

- Aboveground pool light
- 25' plug in cord
- NL and CSA certified



Part Number	Description	Dealer Price	List Price
PEN986000	CONVERTIBLE AQLUMINATOR	\$202.41	\$311.40

AquaLumin III Nicheless Light

AquaLumin III

- For all vinyl liner pools and spas
- Wall hugging fit



Part Number	Description	Dealer Price	List Price
PEN78864200	LT AQLMNIII 250W120V 50'	\$459.59	\$707.07
PEN78864250	LT AQLMNIII 250W120V 100'	\$530.98	\$816.89
PEN78864300	LT AQLMNIII 250W120V 150'	\$592.51	\$911.56
PEN78887800	HSG FXTR VNYL 1" AL	\$96.41	\$148.33



Pentair Lights & Niches

AquaLight Halogen Lights

AquaLight Halogen Lights

- Halogen quartz lights w/ stainless steel face ring
- Includes magenta and blue lens
- UL listed



Part Number	Description	Dealer Price	List Price
PEN77118100	AQ 100W 120V 50'	\$308.84	\$475.13
PEN77310100	AQ 100W 120V 100'	\$382.06	\$587.79
PEN77168100	AQ 250W 120V 50'	\$314.89	\$484.45
PEN77360300	AQ 250W 120V 100'	\$385.61	\$593.24

SpaBrite/Incandescent Lights For Pool and Spa

SpaBrite/Incandescent Lights

- Available w/ stainless steel face rings
- Perfect for areas w/ limited space
- Install in small plastic or stainless steel niches



Part Number	Description	Dealer Price	List Price
PEN78106200	SB SS 100W EQUIV 120V 100'	\$371.73	\$571.90

SpaBrite/AquaLight Small Niche

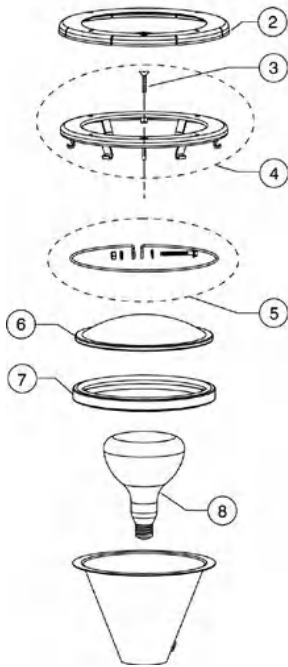
SpaBrite/AquaLight

- For pools and spas
- Stainless steel housing, brass hub
- UL listed

Part Number	Description	Dealer Price	List Price
CONCRETE AND GUNITE			
PEN78244300	FIX HSG 1" REAR CONC SB	\$86.07	\$132.41
MGF POOLS, SPAS, AND HOT TUBS			
PEN78242300	FIX HSG 1" REAR VINYL SB	\$120.54	\$185.45

AMERLITE®

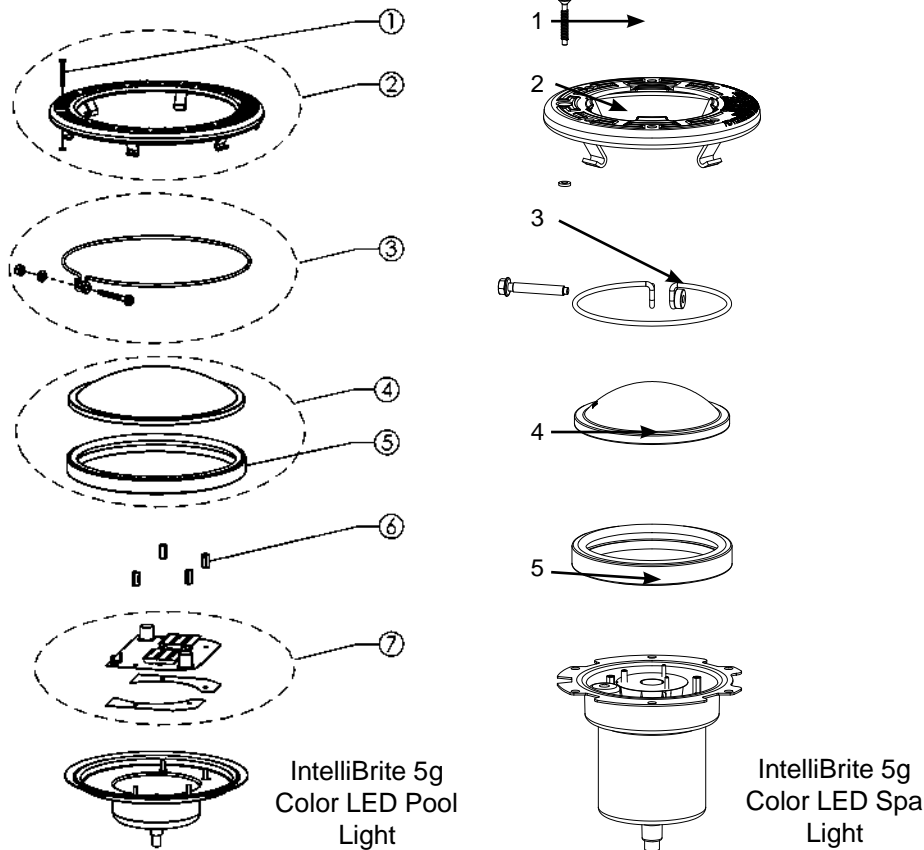
LIGHTS REPLACEMENT PARTS



Item	Part No.	Description	US List	Can. List
AMERLITE LIGHTS				
2	79212165	Face ring, lg. plastic, SS only, grey	17.96	21.58
2	79212111	Face ring, lg. plastic, SS only, black	17.96	21.58
3	79104800Z	Pilot screw with captive gum washer, brass	6.94	8.34
3	619355Z	Pilot screw with captive gum washer, SS	6.94	8.34
4	79110600	Face ring assembly, SS	163.78	196.80
5	79111000	Uni-tension wire clamp assembly	97.76	117.47
6	79100100	Lens, clear 8-3/8 in. dia., tempered	CALL	CALL
6	79100200	Lens, medium blue 8-3/8 in. dia., tempered	139.62	167.77
7	79101600Z	Gasket for 8-3/8 in. lens	49.68	59.70
8	79102100	Floodlamp, medium base, 500 watt,120 Volt	CALL	CALL
8	79102200	Floodlamp, medium base, 400 watt,120 Volt	CALL	CALL

INTELLIBRITE® 5G COLOR LED LIGHTS

2ND GENERATION AFTER 2009 REPLACEMENT PARTS

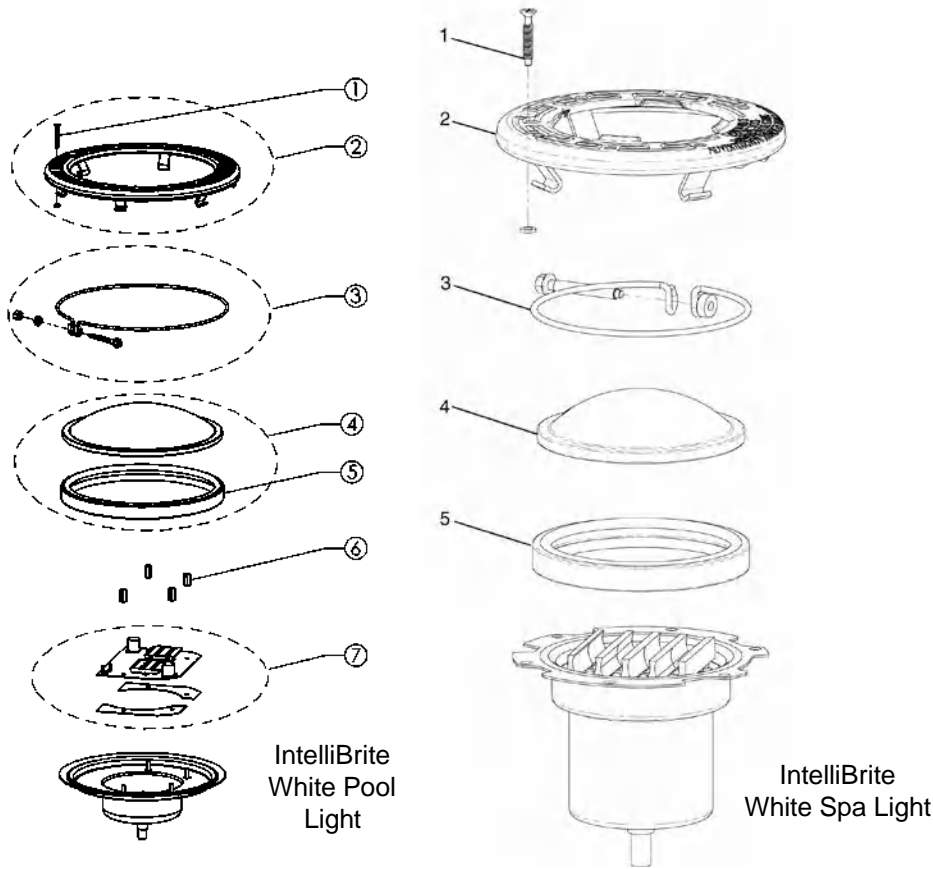


Item	Part No.	Description	US List	Can. List
INTELLIBRITE 5g COLOR LED POOL LIGHT				
	620276	Replacement fuse for 12V only lights	36.31	43.63
1	79104800Z	Pilot screw with captive gum washer, brass	6.94	8.34
1	619355Z	Pilot screw with captive gum washer, SS	6.94	8.34
2	79110600	Face ring assembly, SS	163.78	196.80
3	79111000	Uni-tension wire clamp assembly	97.76	117.47
4	619864Z	Lens and gasket assembly, tempered	137.38	165.08
5	620400Z	Gasket, 8-3/8 in. diameter, silicone	78.16	93.92
6	620141	Nut, retaining	CALL	CALL
7	619818Z	Light engine kit, color 2nd generation	1258.81	1512.59
1	79104800Z	Pilot Screw, with captive gum washer, brass	6.94	8.34
1	619355Z	Pilot screw with captive gum washer, SS	6.94	8.34
2	79111600	Face ring assembly, SS	134.10	161.13
3	79210400	Uni-tension wire clamp assembly w/ welded nut	33.94	40.78
4	640046	Lens and gasket assembly, tempered	123.34	148.21
5	79108600	Gasket, white, silicone	CALL	CALL

Note: IntelliBrite Spa light has no user serviceable parts inside.

INTELLIBRITE® 5G WHITE LED LIGHTS

2ND GENERATION AFTER 2010 REPLACEMENT PARTS

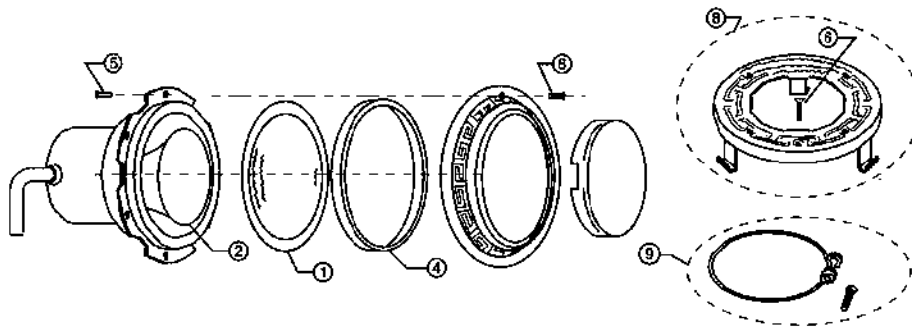


Item	Part No.	Description	US List	Can. List
INTELLIBRITE WHITE LED POOL LIGHTS				
	620276	Replacement fuse for 12V only lights (For lights built after Oct. 2015)	36.31	43.63
1	79104800Z	Pilot screw with captive gum washer, brass	CALL	CALL
1	619355Z	Pilot screw with captive gum washer, SS	6.94	8.34
1	600095	Face ring, clamp, and gasket kit	165.61	199.00
2	79110600	Face ring assembly, SS	163.78	196.80
3	79111000	Uni-tension wire clamp assembly	97.76	117.47
4	619864Z	Lens and gasket assembly, tempered	137.38	165.08
5	620400Z	Gasket, 8-3/8 in. diameter, silicone	78.16	93.92
6	620141	Nut, retaining	CALL	CALL
	619875Z	IntelliBrite 5g white LED 300w replacement engine	956.73	1149.61
	619916Z	IntelliBrite 5g white LED 400w replacement engine	988.78	1188.12
	619917Z	IntelliBrite 5g white LED 500w engine	1063.64	1278.07
INTELLIBRITE WHITE LED SPA LIGHTS				
1	79104800Z	Pilot Screw, with captive gum washer, brass	6.94	8.34
1	619355Z	Pilot screw with captive gum washer, SS	6.94	8.34
2	79111600	Face ring assembly, S/S	134.10	161.13
3	79210400	Uni-tension wire clamp assembly w/ welded nut	33.94	40.78
	640046	Lens Kit (includes items 4 and 5)	123.34	148.21
5	79108600	Gasket, white, silicone	CALL	CALL

Note: IntelliBrite Spa light has no user serviceable parts inside.

SPABRITE® / AQUALIGHT® - LIGHTS

REPLACEMENT PARTS



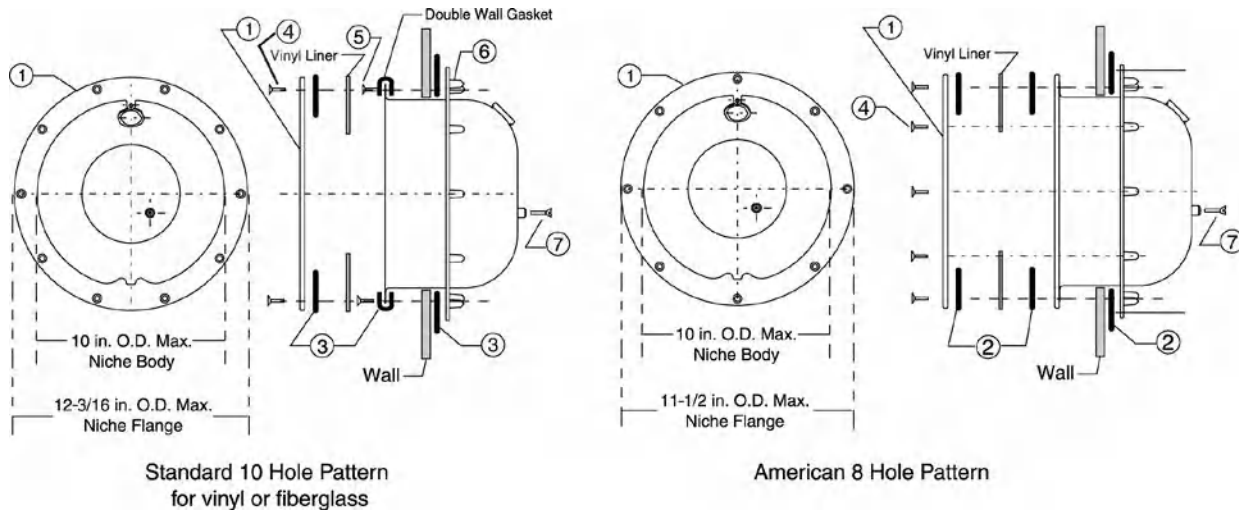
Item	Part No.	Description	US List	Can. List
SPABRITE / AQUALIGHT - LIGHTS				
1	79107800	Lens, clear, 4 in. dia., tempered	CALL	CALL
2	79113800Z	250 watt Halogen Quartz screw base, (AquaLight) ²	CALL	CALL
4	79108500Z	Gasket for 4 in. dia. lens, off white, (SpaBrite)	23.53	28.27
4	79108600	Gasket, white, silicone 100 watt, 250 watt, (AquaLight)	CALL	CALL
5	98208600	Screw, SS 10-24 x 3/8 in., 6 req., chrome-brass	CALL	CALL
6	79104800Z	Pilot screw with captive gum washer, brass	6.94	8.34
6	619355Z	Pilot screw with captive gum washer, SS	6.94	8.34
8	79111600	Face ring assembly, SS	134.10	161.13
9	79210400	Uni-tension wire assembly SS w/ welded nut	33.94	40.78

¹ Used on lights manufactured after 5-91.

² Used on lights manufactured after 1-98.

PENTAIR LARGE STAINLESS STEEL NICHES

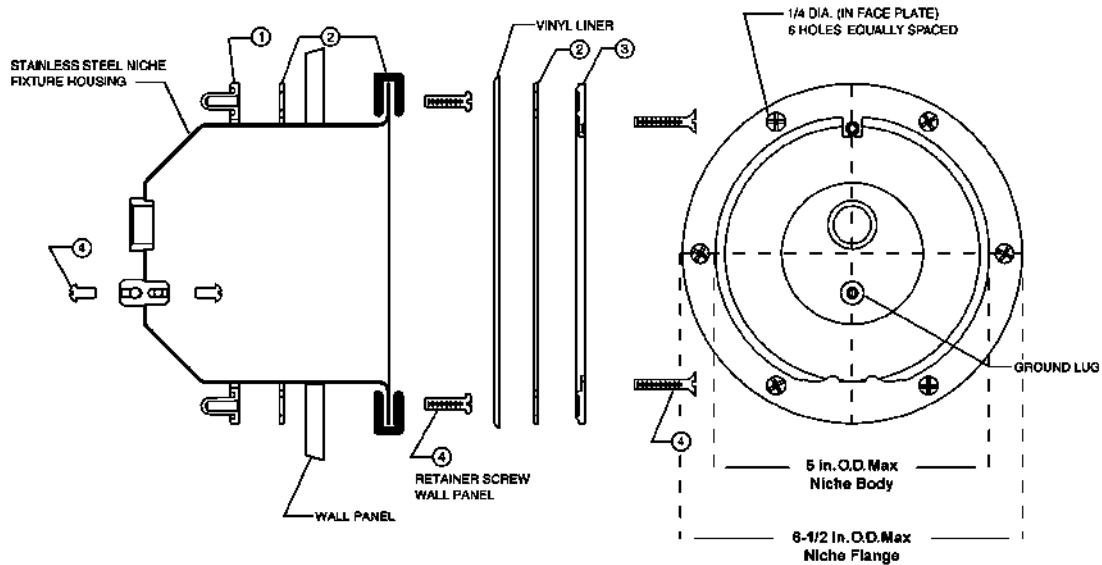
REPLACEMENT PARTS



Item	Part No.	Description	US List	Can. List
PENTAIR LARGE STAINLESS STEEL NICHES				
1	79200100	Liner-sealing ring, American 8 hole	225.71	271.21
1	79200200	Liner-sealing ring, std. 10 hole	192.16	230.90
2	79200300	Gasket, set, American 8 hole pattern	73.84	88.73
3	79200700	Gasket, set, std. 10 hole pattern, w/ double wall gasket	136.11	163.55
4	98202600	Screw, sealing 1/4-20 x 1 in. Phillips flat head	CALL	CALL
4	98202700	Screw, sealing 1/4-20 x 1-1/4 in. Phillips flat head	CALL	CALL
5	98204200	Screw, retainer, fillister head, 12-24 x 3/4 in.	2.94	3.53
6	634595	Back-up ring, std. 10 hole pattern	170.85	205.29
7	98204400	Screw, grounding 10-24 x 1/2 in.	3.68	4.42
NOT SHOWN				
	79211600Z	Plaster ring, for gunite niche, pool	85.48	102.71
	79205100	Screw kit, niche, American 8 hole	54.48	65.46
	79205200	Screw kit, niche, American 8 hole, extra long	54.48	65.46
	79205300	Screw kit, niche, std. 10 hole, 1 in.	CALL	CALL
	79205400	Screw kit, niche, std. 10 hole, 1-1/4 in.	CALL	CALL
	79226300	Screw kit, niche, std. 10 hole, 1-3/8 in.	CALL	CALL
	79200400	Gasket, set, std. 10 hole, w/o double wall gasket	97.20	116.80
	60028300	Bonding Lug Potting Sealant	CALL	CALL

PENTAIR SMALL STAINLESS STEEL NICHES

REPLACEMENT PARTS



Item	Part No.	Description	US List	Can. List
PENTAIR SMALL STAINLESS STEEL NICHES				
1	79205600	Back-up ring	72.44	87.04
2	79207900	Gasket set, small niche, w/ double wall gasket	136.11	163.55
2	79204603	Gasket set, small niche, w/o double wall gasket	29.62	35.59
3	79206000	Sealing ring	120.82	145.18
4	79205500	Screw kit	CALL	CALL
NOT SHOWN				
	79203200	Plaster ring, for gunite niche, spa	CALL	CALL
	60028300	Bonding Lug Potting Sealant	CALL	CALL

Automation

IntelliCenter

- Easy to program, with step-by-step, on screen instructions
- Color touchscreen interface displays intuitive instructions in clear text and rich colors
- Convenient control from inside and outside the home via outdoor and indoor control panels and wireless remotes
- Remote control from anywhere: Android® and iOS® smartphones, Web browsers on Mac® and PC computers and voice command with smart speaker devices like Amazon Echo®



Part Number	Description	Dealer Price	List Price
PEN521903	INTELICTR SYS LDCNTR SLT i8PS IC40 CLC - 8PSIC40	\$4,674.85	\$7,192.08
PEN521904	INTELICTR SYS LDCNTR i8PS CLC- 8PS	\$3,416.05	\$5,255.45
PEN521905	INTELICTR SYS LDCNTR SLT i5P IC40 CLC - 5PIC40	\$3,662.74	\$5,634.98
PEN521906	INTELICTR SYS LDCNTR SLT i5PS CLC - 5PSIC40	\$4,289.13	\$6,598.65
PEN521907	INTELICTR SYS LDCNTR i5PS CLC - 5PS	\$2,850.95	\$4,386.08
PEN521908	INTELICTR SYS LDCNTR SLT i10PS IC40 CLC 10PSIC40	\$5,239.96	\$8,061.48

Automation

IntelliCenter Ordering Information

AL A CARTE ORDERING

STEP 1: PICK YOUR LOAD AND POWER CENTER

Part Number	Description	Dealer Price	List Price
PEN522041	LOAD CENTER (WITH SALT CHLORINE GENERATOR SUPPORT)	\$1,192.88	\$1,835.19
PEN522042	POWER CENTER (WITH SALT CHLORINE GENERATOR SUPPORT)	\$1,018.99	\$1,567.68
PEN522043	LOAD CENTER (WITHOUT SALT CHLORINE GENERATOR SUPPORT)	\$893.74	\$1,374.99
PEN522044	POWER CENTER (WITHOUT SALT CHLORINE GENERATOR SUPPORT)	\$749.25	\$1,152.69

STEP 2: PICK YOUR PERSONALITY KIT

Part Number	Description	Dealer Price	List Price
PEN521909	PERSKIT INTELICTR i5P SINGLE BODY	\$1,334.08	\$2,052.43
PEN521910	PERSKIT INTELICTR i8P SB i5P+i8P DC+RELAY	\$2,019.83	\$3,107.44
PEN521911	PERSKIT INTELICTR i10P SB i5P+i10P DC+RELY	\$2,312.39	\$3,557.53
PEN521912	PERSKIT INTELICTR i5PS SE i5P+i5PS DC	\$2,023.05	\$3,112.38
PEN521913	PERSKIT INTELICTR i8PS SE i5P+i8PS DC+RELAY	\$2,695.83	\$4,147.43
PEN521914	PERSKIT INTELICTR i10PS SE i5P+i10PS DC+RELAY	\$2,906.10	\$4,470.92
PEN521915	PERSKIT INTELICTR i10d DE i5P+i10D DC+RELAY	\$2,988.80	\$4,598.16
PEN522033	INTELICTR i5X EXPANS +RELAY	\$1,333.24	\$2,051.14
PEN522034	INTELICTR i10X EXPANS incl. i5X + RELAYS	\$2,001.95	\$3,079.93

STEP 3: PICK YOUR ACCESSORIES

Part Number	Description	Dealer Price	List Price
PEN522035	INTELICTR INDR CP WHT	\$554.15	\$852.54
PEN522036	BNDL INTELICTR WRLS RMT	\$888.00	\$1,366.15
PEN523058	INTELICTR INDR CP TAN	\$554.15	\$852.54
PEN523059	INTELICTR INDR CP BLK	\$554.15	\$852.54
PEN522038Z	INTELICTR VLV EXP MOD	\$208.84	\$321.29
PEN522039Z	INTELICTR A2D MODULE	\$220.33	\$338.97

Automation

EasyTouch Control Systems for Pool & Spas

EasyTouch offers homeowners an affordable, user-friendly system to control pool and spa features such as water flow, lighting, IntelliChem, and Intellichlor.



EasyTouch Systems Without Intellichlor Transformer

Part Number	Description	Dealer Price	List Price
PEN520591	LDCNTR 4P SNGL BDY EZTCH SINGLE BODY SYSTEM	\$1,236.62	\$1,902.49
PEN520703	LD CNTR 8P EZTCH SINGLE BODY SYSTEM	\$1,980.73	\$3,047.27
PEN520538	LDCNTR 4 AUX EZTCH	\$1,874.42	\$2,883.72
PEN520540	LDCNTR 8 AUX EZTCH	\$2,476.80	\$3,810.46

EasyTouch Systems With Intellichlor Transformer

Part Number	Description	Dealer Price	List Price
PEN520592	LDCNTR 4PSC IC20 EZTCH SINGLE BODY SYSTEM (NO ACTUATORS)	\$2,303.15	\$3,543.31
PEN520593	LDCNTR 4PSC IC40 EZTCH SINGLE BODY SYSTEM (NO ACTUATORS)	\$2,406.43	\$3,702.20
PEN520705	LD CNTR 8PSC IC40 EZTCH SINGLE BODY SYSTEM (NO ACTUATORS)	\$3,339.07	\$5,137.03
PEN520543	LDCNTR 4SC IC40 EZTCH (2 ACTUATORS)	\$3,301.53	\$5,079.27
PEN520545	LDCNTR 8SC IC40 EZTCH (2 ACTUATORS)	\$3,666.46	\$5,640.70
PEN521150	EASYTOUCH8 WITH CIC60P (2 ACTUATORS)	\$3,921.88	\$6,033.66

EasyTouch Accessories



Part Number	Description	Dealer Price	List Price
PEN520548	ICP 4AUX EZTCH	\$1,116.78	\$1,718.12
PEN520549	ICP 8AUX EZTCH	\$466.22	\$717.26
PEN520546	WIRELESS 4 AUX EASYTCH	\$1,044.53	\$1,606.96
PEN520547	WIRELESS 8 AUX EASYTCH	\$1,116.78	\$1,718.12
PEN521107	COMPOOL TO EASYTOUCH UPG	\$768.67	\$1,182.57
PEN520670	KIT CLEANING ACID ICHLOR	\$26.76	\$41.17
PENP520198	RLY ASY 2SPD INTLTCH	\$171.40	\$342.80
PEN263045	VLV ACTUATOR 180	\$243.69	\$374.90
PEN263043	VLV ACTUATOR 90	\$249.95	\$384.54

Automation

IntelliTouch Pool & Spa Remotes

Spa-side Remote Controls

- Completely waterproof remote for pool/spa equipment and landscape lighting
- Mounts to 1" conduit
- Includes adaptor for mounting to previous style round 4-function remote



Part Number	Description	Dealer Price	List Price
PEN521883	REMOTE IS4 4BTN WHT 50'	\$283.11	\$435.55
PEN521884	REMOTE IS4 4BTN GRY 50'	\$283.11	\$435.55
PEN521891	REMOTE IS4 4BTN BLK 50''	\$283.11	\$435.55
PEN521885	REMOTE IS4 4BTN WHT 100'	\$326.94	\$502.99
PEN521886	REMOTE IS4 4BTN GRY 100'	\$326.94	\$502.99
PEN521892	REMOTE IS4 4BTN BLK 100'	\$326.94	\$502.99
PEN521887	REMOTE IS4 4BTN WHT 150'	\$370.79	\$570.45
PEN521888	REMOTE IS4 4BTN GRY 150'	\$370.79	\$570.45
PEN521893	REMOTE IS4 4BTN BLK 150'	\$370.79	\$570.45
PEN520345	IS10 FOR CP3800 FMLY	\$871.79	\$1,341.22

IntelliChem

IntelliChem

- Compatible w/ IntelliTouch, EasyTouch, ScreenLogic2, and IntelliChlor
- Programmable chemical feed cycle prevents excess chemical addition



Part Number	Description	Dealer Price	List Price
PEN521357	INTELLICHEM NO PMP	\$2,541.49	\$3,909.98
PEN522621	INTELLICHEM W/1 PMP	\$2,014.47	\$3,099.18



Automation

IntelliChlor Salt Chlorinator

IntelliChlor

- Compatible w/ IntelliTouch, EasyTouch, and SunTouch
- Full diagnostic capability
- Push-button operation and user friendly display
- One-time cycling prevents build-up, for greater cell longevity

Part Number	Description	Dealer Price	List Price
PEN520888	IC15 INTLCHLR CELL ABG POOLS	\$990.68	\$1,524.12
PEN520554	CELL INTELLICHLOR IC20	\$1,163.80	\$1,790.46
PEN520555	CELL INTELLICHLOR IC40	\$1,340.67	\$2,062.57
PEN520556	PWRCNTR INTELLICHLOR	\$694.34	\$1,068.21
PEN521105	ICHLOR IC60 US VERSION	\$1,704.96	\$2,623.01
PEN520588	CELL DUMMY INTELLICHLOR	\$62.10	\$95.54
PEN520670	KIT CLEANING ACID	\$26.76	\$41.17
PEN523080	ICHLOR 15 BUNDLE CELL-PWR PACK	\$946.68	\$1,456.43
PEN523081	ICHLOR 30 BUNDLE CELL-PWR CENTER	\$1,156.22	\$1,778.80

Pool Tool Anodes

Zinc Anode

- For the use in saltwater pools
- Anode attaches to the bonding wire and prevents the corrosion of metal parts (heaters, lights, rails, etc.)

Part Number	Description	Dealer Price	List Price
PTL104B	Anti-Electrolysis Zinc Anode Ladder or Grab Rail	\$30.94	\$47.60
PTL104C-1	1 1/2" Inline Anti-Electrolysis Zinc Anode	\$100.10	\$154.00
PTL104C-2	2" Inline Anti-Electrolysis Zinc Anode	\$100.10	\$154.00
PTL104D	2" New Install Inline Zinc Anode	\$112.39	\$172.90
PTL104D- SPIGOT	2" Inline Zinc Anode Spigot	\$106.47	\$163.80
PTL104R-KIT	Inline Zinc Anode Replacement Kit	\$73.26	\$112.70

ScreenLogic2 Interface (For IntelliTouch and EasyTouch Automation Systems)

ScreenLogic2

- Use with Mac, PC, iPad, iPhone, iPod Touch, and Droid style round 4-function remote to control pool functions from anywhere



Download the app for your iPhone or Android!

Part Number	Description	Dealer Price	List Price
PEN522104	SCREENLOGIC BUNDLE (includes adapter and wireless connection kit)	\$732.61	\$1,127.09

Automation

IntelliConnect Control and Monitoring System

- Enables smart connections to any of these Pentair devices: IntelliFlo® or IntelliPro® Pumps, IntelliChlor® or iChlor® Sanitizers
- Allows for two relay connections to equipment like pool or landscape lights, pool cleaner
- booster pumps, or single-speed pumps including competitive models
- Provides real-time information on the status of the filtration systems and other pool equipment
- Easily sets up and schedules automation operation of connected equipment



Part Number	Description	Dealer Price	List Price
PEN523317	INTELLICONNECT WIFI	\$483.11	\$743.25

IntelliValve Valve Actuator

- Thirteen (13) LEDs give precise, easy-to-read indication of valve position
- Built-in interface allows quick and simple set-up of water flow
- Sleek, minimalist design is compact and fits easily within any equipment pad
- Sealed, maintenance-free design is weatherproofed for maximum reliability and extended service life
- Suitable for 1.5", 2", 2.5" and 3" valve sizes.
- 24-volt operation for use with standard automation systems
- 750 mA max amp draw
- Adjustable 3.75-degree increments within the maximum 180-degree swing



Part Number	Description	Dealer Price	List Price
PEN521485	ACTUATOR INTELLIVLV	\$274.84	\$422.83

IntelliLevel Automatic Water Leveling System

- Monitors fill amount and fill time and indicates current water level in pool
- Maintains weighted average fill rate
- Eliminates jumper settings
- Alerts if fill fails
- Fills desired amount with a single fill
- Can be used on a static line
- No sensor wires to run to skimmer
- Recommended for New Pool Construction



Part Number	Description	Dealer Price	List Price
PEN523265	INTELLILEVEL	\$584.49	\$899.21

INTELLICENTER® CONTROL SYSTEM REPLACEMENT PARTS

Part No.	Description	US List	Can. List
CIRCUIT BOARD REPLACEMENT PARTS			
523050	i5P Replacement Outdoor Control Panel Circuit Board with Faceplate for Common Load Center/Common Power Center	1812.71	2178.15
523051	i5X Expansion Replacement Circuit Board with Faceplate for Common Load Center/Common Power Center	2216.42	2663.25
521936Z	i5PS Personality Card Circuit Board (expansion card that slide connects to the i5P main board - replacement or upgrading a system)	CALL	CALL
521977Z	i8P Personality Card Circuit Board (expansion card that slide connects to the i5P main board - replacement or upgrading a system)	CALL	CALL
521968Z	i8PS Personality Card Circuit Board (expansion card that slide connects to the i5P main board - replacement or upgrading a system)	CALL	CALL
521993Z	i10P Personality Card Circuit Board (expansion card that slide connects to the i5P main board - replacement or upgrading a system)	CALL	CALL
521873Z	i10PS Personality Card Circuit Board (expansion card that slide connects to the i5P main board - replacement or upgrading a system)	CALL	CALL
523029Z	i10D Personality Card Circuit Board (expansion card that slide connects to the i5P main board - replacement or upgrading a system)	CALL	CALL
522997Z	i10X Expansion Card Circuit Board (expansion card that slide connects to the i5X main board - replacement or upgrading a system)	3327.75	3998.62
WIRELESS REPLACEMENT PARTS			
522051	Wireless Remote (replacement remote only)	CALL	CALL
522052	Charging Cradle plus Transformer	CALL	CALL
522053Z	Wireless Wall Mounting Kit with Hardware (included in every IntelliCenter Wireless Remote Kit - allows remote to hang on a wall like an indoor control panel - no charging provided while hanging on wall, wireless remote must be placed on charging cradle periodically to charge)	CALL	CALL
520830Z	Wireless Transformer (for wireless remote charging cradle)	CALL	CALL
520244	Transceiver Enclosure with Mounting Hardware (does not contain the transceiver circuit board)	132.70	159.45
522054	Battery for Wireless Remote (with flat door)	CALL	CALL
521984Z	Wireless Transceiver Circuit Board (for use in 520244)	CALL	CALL
522056Z	Wireless Transceiver Circuit Board plus Enclosure with Mounting Hardware (includes both 520244 and 521984Z)	CALL	CALL
523355	Wireless Remote Repeater Kit (used when longer range is required for the IntelliCenter wireless remote)	CALL	CALL
523434	900 MHz Wireless Ethernet Link	CALL	CALL
523557	900 MHz Wireless Ethernet Link Kit (includes PoE module and Ethernet cables)	929.96	1117.44
544425	Cable POE/Ethernet High Power Wireless Bundle	CALL	CALL
MISCELLANEOUS REPLACEMENT PARTS			
522978Z	Battery for Indoor Control Panel and Outdoor Control Panel	54.84	65.90
522102Z	System Transformer	CALL	CALL
523345	Circuit Breaker Kit: 4-Amp Breaker	CALL	CALL
523346	Circuit Breaker Kit: 5-Amp Breaker	CALL	CALL
522004Z	Bezel Faceplate for Common Load Center/Common Power Center (with overlay)	CALL	CALL
522005Z	Faceplate for Load Center/Power Center, IT/ET OCP Upgrade	CALL	CALL
522062Z	Legacy Transformer for Upgrades to IntelliCenter 24VAC 18VAC	228.89	275.03
523342Z	Legacy Transformer Bracket for Upgrades to IntelliCenter	71.52	85.94
520199	1000 ft. cable, four conductor, 22 AWG, White	Call	Call



IntelliCenter Wireless Control Panel
P/N 522036



IntelliCenter
Mobile Interface



Controller Options

INTELLITOUCH® AUTOMATION REPLACEMENT PARTS

Part No.	Description	US List	Can. List
NEW INTELLITOUCH AUTOMATION REPLACEMENT PARTS			
521227	Replacement Load Center Door	423.47	508.84
521057Z	New Load Center 150A 10 Circuit Breaker Base	422.24	507.36
521233	Load Center System Transformer, after change date	315.34	378.91
521051Z	New Load Center High Voltage Cover Panel Dead Front	211.70	254.38
521078Z	New Power Center High Voltage Cover Panel	208.43	250.45
521081Z	Door Latch	101.56	122.03
521228	New OCP Bezel, i5+3, i7, i9+3	143.17	172.03
521229	New OCP Bezel, i10+3D	174.89	210.15
521230	New OCP Bezel, i5+3S, i9+3S	154.86	186.08
521231	New OCP Bezel, i5x, i10x	174.89	210.15
521441	IntelliChlor System Transformer, after change date	443.29	532.66
520151Z	Kit Bkt Mtg LC & PC	154.99	186.24
520724	Pwr Cable For IntelliChlor SCG Systems	170.52	204.90
521218	New Load Center IntelliChlor SCG Surge Board PCBA	545.61	655.60
8520031Z	Repl. Circuit Breaker (3 Amp)	69.43	83.43
521142Z	New Load Center Resettable 12A 50V Scg Circuit Breaker	101.56	122.03
8023304	4-Pin Com Port Connector	CALL	CALL
522101	Solar Temperature Sensor (black)	CALL	CALL
RLYHTR	Heater Relay Repair Kit	236.33	283.97
520106	Relay Kit, 20 Amp	166.50	200.07
RCS1	Spa Jets Switch, Wall Mount, Single Gang Plate	292.57	351.55
CRALX	Adapter, 1 Relay Controlled By 2 Circuits	253.58	304.70
520199	1000 ft. cable, four conductor, 22 AWG, White	Call	Call
INTELLITOUCH AUTOMATION REPLACEMENT PARTS			
520287	Circuit Board, Universal Outdoor Controller (Mother Board)	2162.70	2598.70
520265	Circuit Board, i5+3 Personality	CALL	CALL
520266	Circuit Board, i7+3 Personality	CALL	CALL
520267	Circuit Board, i9+3 Personality	CALL	CALL
520296Z	Circuit Board, i5+3S Personality	CALL	CALL
520078Z	Circuit Board, i9+3S Personality	CALL	CALL
520077Z	Circuit Board, i10+3D Personality	CALL	CALL
520080Z	Circuit Board, i5X Personality	CALL	CALL
520079Z	Circuit Board, i10X Personality	CALL	CALL
520273	Cover Plate, IntelliTouch Indoor Control Panel, White	104.64	125.74
520276	Mounting Sheaves, IntelliTouch Indoor Control Panel	34.84	41.86
520277	Mounting Hardware, IntelliTouch Indoor Control Panel	32.92	39.56
520281	Breaker Base, IntelliTouch Load Center 4/8 Position	CALL	CALL
8520031Z	Repl. Circuit Breaker (3 Amp)	69.43	83.43
520342	Replacement System Transformer Assembly, IntelliTouch	CALL	CALL
520272	Water Temp Sensor 10k Ohm, 20' Length	124.35	149.42
520405	IntelliTouch Load Center Replacement Door	CALL	CALL

Part No.	Description	US List	Can. List
BAT3	Battery, 3-Volt Lithium	27.43	32.96
520119Z	Old LC High Voltage Cover Panel	104.46	125.52
9321004	Clamp For Water Temperature Sensor	CALL	CALL
520108	Terminal Screw 4 Wire (Green)	32.80	39.41
520343	iS10 Mounting Kit	103.08	123.86
520062	Control Panel Bezel, i5+3, i7, i9+3	CALL	CALL
520303	Control Panel Bezel, i10+3D	174.89	210.15
520304	Control Panel Bezel, i5+3S, i9+3S	166.49	200.05
520302	Control Panel Bezel, i5x, i10x	CALL	CALL
520498	Touch Panel, ACC ITC35	CALL	CALL
520499	Tablet, ACC ITC45	CALL	CALL
8023304	4-Pin Com Port Connector	CALL	CALL
WIRELESS REMOTE REPLACEMENT PARTS			
523434	ScreenLogic Wireless Connect Kit	CALL	CALL
520341	Wireless Remote Antenna Only, before change date/pre version____	CALL	CALL
520217	Wireless Remote Antenna Only, after change date/pre version____	CALL	CALL
520244	MobileTouch I & II Transceiver Enclosure with Mounting Hardware	132.70	159.45
520946Z	Wireless Remote Antenna and Transceiver Complete Kit, works with all versions	764.06	918.09
520830Z	MobileTouch II Transformer with Cord	CALL	CALL
520834Z	MobileTouch II Charging Cradle	269.35	323.65
520815Z	MobileTouch II Battery & Door	544.21	653.92
520191	MobileTouch I Transformer with Cord	66.58	80.00
520217	Antenna For Mobiletouch 1 Transceiver	CALL	CALL
520907	MobileTouch II Wireless Remote Replacement	CALL	CALL
520946Z	Mobiletouch II Transceiver Circuit Board With Attached Antenna	764.06	918.09
8520031Z	Repl. Circuit Breaker (3 Amp)	69.43	83.43
INTELLITOUCH AUTOMATION LABELS			
520658	Indoor Control Panel Labels (Qty. 10)	176.42	211.99
520283	Outdoor Panel Labels (Qty. 10)	246.49	296.18
521227	New Load Center Door w/ET & IT Labels (Qty. 10)	423.47	508.84
520344	iS10 Label Set (Qty. 10)	264.10	317.34
522082	iS4 Label Set (Qty. 10) - New Style	66.60	80.03
520173	iS4 Label Set (Qty. 10) - Old Style	CALL	CALL

EASYTOUCH® & EASYTOUCH PL4/PSL4 CONTROL SYSTEMS REPLACEMENT PARTS

Part No.	Description	US List	Can. List
NEW EASYTOUCH CONTROL SYSTEMS REPLACEMENT PARTS			
521227	Replacement Load Center Door	423.47	508.84
521057Z	Load Center 125A 8 Circuit Breaker (size), after change date 2011	422.24	507.36
521232	Fold-down Bezel Replacement, after change date 2011	141.06	169.50
521051Z	Load Center, High Voltage Cover Panel (size), after change date 2011	211.70	254.38
521233	Load Center System Transformer, after change date 2011	315.34	378.91
521218	IntelliChlor CG Board, after change date 2011	545.61	655.60
521142Z	Fuse, CG IntelliChlor 12A-50V Resettable Circuit Breaker, after change date 2011	101.56	122.03
521441	IntelliChlor System Transformer, after change date 2011	443.29	532.66
520151Z *	Mounting Bracket Kit for (LC & PC RPLC), all Load Centers	154.99	186.24
521081Z *	Door Latch Assy (RPLC), all Load Centers	101.56	122.03
8520031 *	Internal Circuit Breaker Assy, all Load Centers	CALL	CALL
8023304 *	4-Pin Com Port Connector	CALL	CALL
520724	IntelliChlor Cell/PCBA Power Cable For Intellichlor SCG Systems	170.52	204.90
520946Z *	EasyTouch Transceiver Circuit Board with Attached Antenna	764.06	918.09
520691	Wireless Control Only, 4 Aux.	CALL	CALL
520692	Wireless Control Only, 8 Aux	CALL	CALL
520546	Wireless Control Complete w/Antenna & Transceiver	CALL	CALL
520547	Wireless Control Complete w/Antenna & Transceiver	CALL	CALL
522101 *	Solar Temperature Sensor (black)	CALL	CALL
RLYHTR *	Relay, Heater Repair Kit, includes RLY Replacement Relay with board connection wire	236.33	283.97
520106 *	Relay Kit, 20 Amp	166.50	200.07
RCS1 *	Spa Jets Switch, Wall Mount, Single Gang Plate	292.57	351.55
CRALX *	Adapter, 1 Relay Controlled By 2 Circuits	CALL	CALL
520199	1000 ft. cable, four conductor, 22 AWG, White	Call	Call

EASYTOUCH CONTROL SYSTEMS REPLACEMENT PARTS			
523434	ScreenLogic Wireless Connect Kit	CALL	CALL
520217	Antenna, EasyTouch Transceiver Module	CALL	CALL
520595	IntelliChlor Replacement Unions (Contains 2 O-Rings, 2 Couplers, 2 Nuts)	66.72	80.17
520655	Replacement Load Center Door (size), before change date 2011	CALL	CALL
520656	Load Center 150A 10 Circuit Breaker (size), before change date 2011	141.06	169.50
520652	Indoor Control Panel Backplate with Connectors Attached	49.33	59.27
520660	Laptop Trainer	CALL	CALL
520653	Load Center System Transformer, before change date 2011	529.30	636.01
520657	Motherboard With 8 Aux Pool/Spa	1686.95	2027.04

Part No.	Description	US List	Can. List
520659	Motherboard With 4 Aux Pool/Spa Combo	1122.29	1348.54
520711	Motherboard 8 Aux (Single Body)	1686.95	2027.04
520712	Motherboard 4 Aux (Single Body)	1122.29	1348.54
520722	IntelliChlor System Transformer, before change date 2011	443.28	532.65
520723	IntelliChlor CG Board, before change date 2011	545.60	655.59
520724	IntelliChlor Cell/PCBA Power Cable For Intellichlor SCG Systems	170.52	204.90
520714Z	Fuse, CG IntelliChlor 10A Resettable Circuit Breaker, before change date 2011	51.40	61.76
8520031Z *	Fuse, Control 3A Resettable Circuit Breaker	69.43	83.43
8023304 *	4-Pin Com Port Connector	CALL	CALL

LABELS			
520658 *	Indoor Control (Qty. 10)	176.42	211.99
520658 *	Wireless Remote (Qty. 10)	176.42	211.99
520283 *	Outdoor Panel Labels (Qty.10)	246.49	296.18
521227	Replacement Load Center Door (size), before change date 2011	423.47	508.84
520658 *	Indoor Control Panel & Wireless Remote Features Label (Set Of 10)	176.42	211.99
520124	Quicktouch I Labels (Qty. 10), before change date 2011	139.53	167.66

SCREW TERMINALS, CIRCUIT BOARD PLUG-IN TYPE, EASYTOUCH			
8023302 *	Comport, 2 Position	CALL	CALL
8023304 *	Comport, 4 Position	CALL	CALL
8023306 *	Comport, 6 Position	CALL	CALL
8023308 *	Comport, 8 Position	CALL	CALL
8023310 *	Comport, 10 Position	40.91	49.16
8023312 *	Comport, 12 Position	44.59	53.58

EASYTOUCH PL4/PSL4			
522523	PL4 OCP replacement PCBA	CALL	CALL
522524	PSL4 OCP replacement PCBA	CALL	CALL
522525	PL4/PSL4 OCP replacement Control Panel bezel	CALL	CALL
522526	EasyTouch PL4/PSL4 Wireless remote replacement	CALL	CALL

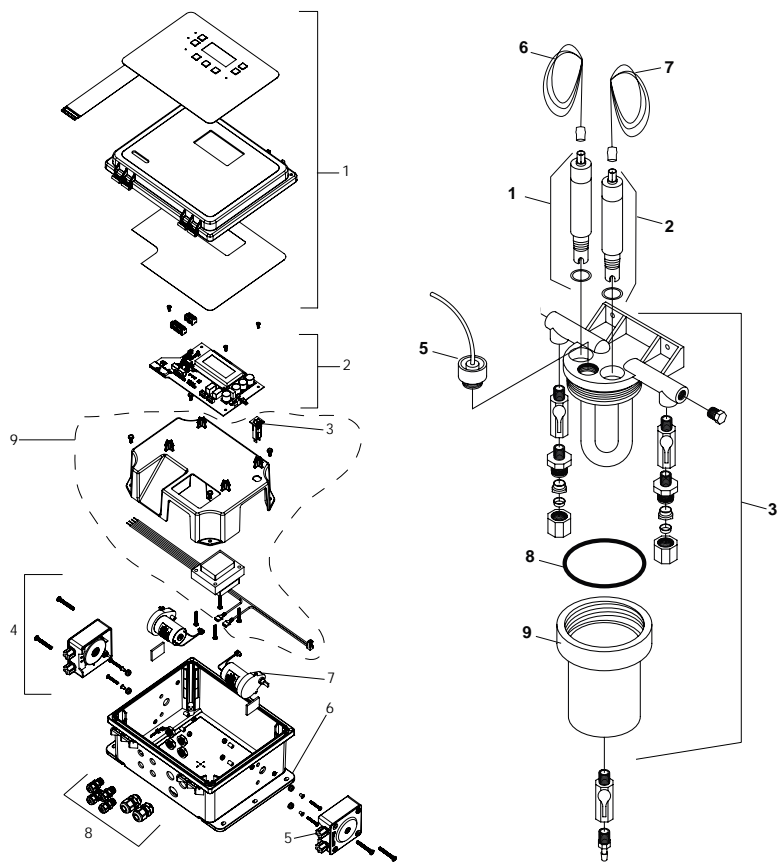
* Also parts for EasyTouch PL4/PLS4

INTELLICHEM® CHEMICAL CONTROLLER REPLACEMENT PARTS

Item	Part No.	Description	US List	Can. List
INTELLICHEM CONTROLLER REPLACEMENT PARTS				
1	521465Z	Top Half (Lid with overlay and wiring diagram)	492.22	591.45
2	521319Z	Controller PCBA	1063.64	1278.07
3	8520031Z	Circuit Breaker	69.43	83.43
4	521348Z	SHURflo Pumphead (prior to 2012)	CALL	CALL
5	521466Z	Jaco® Fitting for SHURflo Pumphead	59.62	71.64
6	521467Z	Controller Mounting Brackets	74.50	89.52
7	521338Z	Motor for SHURflo Pumphead (prior to 2012)	CALL	CALL
8	521468Z	Strain Relief Kit	117.60	141.31
9	521335Z	Transformer with Mounting Plate	343.07	412.23
INTELLICHEM FLOW CELL REPLACEMENT PARTS				
1	522186	pH Sensor (1-year warranty)	227.52	273.39
2	522187	ORP Sensor (1-year warranty)	320.43	385.03
3	754000310	Flow Cell with Flow Switch	CALL	CALL
	521342Z	Parts Bag	422.24	507.36
5	754000440	Flow Switch with Magnet	CALL	CALL
	754000410	Magnet for Flow Switch	26.53	31.88
6	744000290	Cable for pH Sensor, 3 ft.	CALL	CALL
7	744000360	Cable for ORP Sensor 3 ft.	CALL	CALL
8	754000350	O-Ring for Flow Jar	CALL	CALL
9	754000340	Jar for Flow Cell	CALL	CALL

Item	Part No.	Description	US List	Can. List
OPTIONAL ACCESSORIES				
	521814	3/8" Black Tubing, 20 Ft.	CALL	CALL
	744000280	Cable, pH Sensor, 10 Ft.	CALL	CALL
	744000350	Cable, ORP Sensor, 10 Ft.	CALL	CALL
	755000350	3/8" Black Tubing 100 ft.	CALL	CALL
	522010Z	Inline Filter	34.59	41.56
	606000100Z	Fitting 3/8" Tube x 1/4" NPT	7.09	8.52
	620000040Z	Plug 1/4" NPT	3.07	3.69
	620000130Z	Nipple 1/4" NPT	3.07	3.69
	622000080Z	Ball Valve 1/4" NPT	39.95	48.00
	R172032Z	Fitting 3/8" Tube to Bypass Clamp	9.07	10.90
	R172033Z	Rubber Gasket for Bypass Clamp	3.90	4.69
	R172036Z	O-Ring Lubricant	14.99	18.01
	522347Z	Bypass Clamp (replaces R172034)	45.42	54.58

*Pentair recommends replacing peristaltic pump tubes every 6 months



Boards, Rails, and Recreation

S.R. Smith Residential Diving Boards & Stands

Please note:

S.R. Smith orders are subject to freight charges, where applicable.

Fiber-Dive Boards

- Durable acrylic outer body
- Non-slip, sanded tread
- Pre-drilled w/ 2 holes
- For moderate duty use
- Radiant white

Part Number	Description	Dealer Price	List Price
SRS66-209-266S2-1	6' FIBRE-DIVE - RADIANT WHITE	\$590.67	\$908.72
SRS66-209-268S2-1	8' FIBRE-DIVE - RADIANT WHITE	\$723.69	1,113.37
SRS66-209-270S2-1	10' FIBRE-DIVE - RADIANT WHITE	\$976.48	\$1,502.28

Glas-Hide Board

- Solid edge-to-edge laminated wood core
- Heavily reinforced by fiberglass w/ top covered w/ smooth acrylic
- Pre-drilled w/ 2 holes
- For heavy duty residential use



Part Number	Description	Dealer Price	List Price
SRS66-209-206S2-1*	6' GLAS-HIDE - RADIANT WHITE	\$727.04	\$1118.52

*Discontinued item - available while supplies last

Flyte-Deck Stand

- For light to moderate duty residential use w/ Fiber-Dive or Glas-Hide boards
- Radiant White



Part Number	Description	Dealer Price	List Price
SRS70-209-7362	6' FLYTE DECK II W/JIG - RADIANT WHITE	\$558.73	\$859.58
SRS70-209-7382	8' FLYTE DECK II W/JIG - RADIANT WHITE	\$598.66	\$921.01
SRS70-209-7402	10' FLYTE DECK II W/JIG - RADIANT WHITE	\$ 770.32	\$1,185.10

Frontier II Board & Spring

- Durable acrylic outer body, non-slip tread w/ 3 pre-drilled holes

Part Number	Description	Dealer Price	List Price
SRS66-209-586S2	6' FRT II S/B - RADIANT WHITE	\$667.74	\$1,027.29
SRS66-209-598S2	8' FRT II S/B - RADIANT WHITE	\$827.50	\$1,273.08
SRS69-209-5866	6' FRT II SPRING W/ JIG	\$429.20	\$660.30
SRS69-209-5888	8' FRT II SPRING W/ JIG	\$527.81	\$812.02

Boards, Rails, and Recreation

Residential Ladders and Rails



Economy



Camelback

Ladders

Part Number	Description	Dealer Price	List Price
SRSVLLS-103E	24" VINYL LINER LADDER ECONO (PLASTIC TREADS)	\$287.06	\$441.63
GLOGPP-LD-E49-3ST-SS-EW (NEW)	ECONOMY 3 STEP LADDER .049 SS W/ WHITE TREADS	\$291.04	\$447.76
SRSVLLS-103S	24" VINYL LINER LADDER ECONO (STAINLESS TREADS)	\$334.06	\$513.94
SRSCBL-103E	CAMELBACK LADDER ECONOLINE	\$486.93	\$749.12
SRSVLLS-103E-MG	24" VINYL LINER LADDER ECONO (MARINE GRADE)	\$467.14	\$718.68
SRS10004	LADDER-COMMERCIAL (23") 3 STP PLS (.065)	\$628.45	\$966.84

Hand Rails & Grabrails

Part Number	Description	Dealer Price	List Price
SRSF4H-101	30" FIG. 4 H/R (.049) PR	\$347.09	\$533.99
SRSRRH-100	RES. RING H/R (PR) RAIL ONLY	\$276.63	\$425.58

Handrails, Deck-Mounted

Part Number	Description	Dealer Price	List Price
SRSDMS-100A	DK-MTD STR RAIL (.049)	\$219.21	\$337.24
SRSDMS-101A	DK-MTD STR RAIL (.049)	\$198.34	\$305.13
GLOGPP-RL-C49-4BND-SS (NEW)	CLASSIC 4 BEND HANDRAIL POLISHED .049	196.82	302.80
SRSDMS-102A	DK-MTD STR RAIL (.049)	\$391.47	\$602.26
SRSDMS-101A-MG	DK-MTD STR RAIL (.049) (MARINE GRADE)	\$307.94	\$473.75
SRS50-766	DECK MTD H/R (40") PAIR	\$297.49	\$457.68

Artisan Series Handrails

- Powder coating available
- SPECIAL ORDER ONLY

Part Number	Description	Dealer Price	List Price
SRSART-1001S	SINGLE DECK RAIL, ARTISAN SERIES	\$490.69	\$754.92
SRSART-1002	RAMP RAIL, ARTISAN SERIES	\$581.13	\$894.05

Stair Rails

Part Number	Description	Dealer Price	List Price
SRS3HR-6-049	3 BEND 6' H/R (.049)	\$239.44	\$368.36



DMS-100



DMS-102



ART-1001S



DMS-101



ART-1002

Boards, Rails, and Recreation

S.R. Smith Steps and Treads

Recessed Steps and Treads



Part Number	Description	Dealer Price	List Price
SRS62-209-4001	BAJA RECESS STEP - WHITE	\$61.19	\$94.14
SRS62-209-4002	BAJA RECESS STEP - BLACK	\$63.83	\$98.20
SRSLTDF-103	ELITE TREAD S/S NO/HARDWARE 20"	\$45.23	\$69.58

Anchors

S.R. Smith Anchor



Part Number	Description	Dealer Price	List Price
SRS34-306A	DOUBLE ANCHOR ASSEMBLY-BRONZE	\$339.04	\$521.60

Permacast Anchors and Accessories



Part Number	Description	Dealer Price	List Price
PERPS-4019-A	Ladder Socket 4" Alum.	\$8.88	\$13.66
PERPS-4019-BC	Ladder Socket 4" Bronze	\$26.92	\$41.42
PERPS-4019-P	Ladder Socket 4" Plastic	\$8.39	\$12.90
PERPC-4008-A	Channel 4" Alum. 8" OC	\$28.79	\$44.30
PERPC-4020-A	Channel 4" Alum. 20" OC	\$30.60	\$47.08
PERPC-4020-B	Channel 4" Bronze 20" OC	\$67.78	\$104.28
PERPC-4008-P	Channel 4" Plastic 8" OC	\$26.36	\$40.55
PERPC-4020-P	Channel 4" Plastic 20" OC	\$28.51	\$43.86
PERPC-4008-B	Channel 4" Bronze 8" OC	\$65.50	\$100.76
PERPE-0019-C	Escutcheon, Chrome ABS	\$4.04	\$6.21
PERPE-0019-W	Escutcheon, White ABS	\$1.69	\$2.60
PERPE-0019-S	Stainless St. Escutcheon - 1.9 Rail	\$5.02	\$7.73
PERPS-3019-A	Ladder Socket 3" Alum.	\$7.74	\$11.91
PERPW-P	Cycolac Wedge Assy w/Wedge Nut (use w/ PS-4019-P Anchor Sockets)	\$4.49	\$6.90
PERPF-WEDGE	Concrete Anchor Set for PF-3119/PF-25 - 4 each	\$5.74	\$8.83

Boards, Rails, and Recreation

S.R. Smith Slides

Part Number	Description
ROGUE2 (left turn available)	
SRS610-209-5812	ROGUE 2, WHITE, RIGHT
SRS610-209-58110	ROGUE 2, TAUPE, RIGHT
HELIX	
SRS640-209-58124	HELIX SLIDE GRAY GRANITE
TYPHOON (left turn available)	
SRS670-209-58123	TYPHOON RIGHT TURN - SANDSTONE
TURBOTWISTER	
SRS688-209-58123	TURBOTWISTER RIGHT TURN - SANDSTONE

All S.R. Smith slides are special order. Please call for quote.



Boards, Rails, and Recreation

Global Slides



Tsunami



Rip Tide

We also offer Global slides. All slides are special order. Please call for quote.

Saftron Ladders and Rails

Part Number	Description	Dealer Price	List Price
SAFP-324-L3-B	3 STEP LADDER BEIGE	\$390.33	\$600.51
SAFP-324-L3-BK	3 STEP LADDER BLACK	\$390.33	\$600.51
SAFP-324-L3-G	3 STEP LADDER GRAY	\$390.33	\$600.51
SAFP-324-L3-GG	3 STEP LADDER GRAPHITE GRAY	\$390.33	\$600.51
SAFP-324-L3-W	3 STEP LADDER WHITE	\$375.32	\$577.42
SAFP-324-L4-W	4 TREAD LADDER WHITE	\$433.44	\$666.84
SAFP-LS-20	LADDER STEP – NON-CORRODING REPLACEMENT STEP	\$21.20	\$32.61
SAFRTD-448-B	4-BEND RTD HANDRAIL BEIGE	\$306.99	\$472.29
SAFRTD-448-BK	4-BEND RTD HANDRAIL BLACK	\$306.99	\$472.29
SAFRTD-448-G	4-BEND RTD HANDRAIL GRAY	\$306.99	\$472.29
SFARTD-448-GG	4-BEND RTD HANDRAIL GRAPHITE GRAY	\$306.99	\$472.29
SAFRTD-448-W	4-BEND RTD HANDRAIL WHITE	\$295.18	\$454.12
SAFP-324-L2-W	2 TREAD LADDER WHITE	\$346.25	\$532.69
SAFDR-240-W	DECK MOUNTED HAND RAIL - 40" WHITE	\$348.51	\$536.17
SAFDR-240-G	DECK MOUNTED HAND RAIL - 40" GRAY	\$362.42	\$557.58
SAFANCH-1-CS	ANCHOR SOCKET	\$16.07	\$24.73
SAFSB-3	3" SURFACE MOUNTING STURDY BASE	\$36.07	\$55.50
SAFSB-F-CS	6" Surface Mounting, Sturdy Polymer Base for all 1.90" OD pool & spa rails, ladders & safety railings. Colors match SAFTRON rails. (Includes set-screws & stainless mounting hardware). ID is 1.93".	\$24.22	\$37.26

White Goods

Pentair Skimmers and Accessories

Bermuda Skimmers



Part Number	Description	Dealer Price	List Price
PEN506300	SKIM 2" SLIP WHT PVC	\$174.78	\$268.89
PEN506301	SKIM 2" THRD WHT PVC	\$174.78	\$268.89
PEN506364	SKMR 1.5" THRD WHT ABS	\$140.25	\$215.76
PEN506365	SKMR 2" SLIP BLK ABS	\$186.96	\$287.64
PEN506308	SKMR 2" SLIP WHT FLT VLV	\$209.81	\$322.78

Bermuda Skimmer - Vinyl/Fiberglass

Part Number	Description	Dealer Price	List Price
PEN506421	SKMR VINYL 1.5" THRD WHT ABS	\$207.78	\$319.65
PEN506521	SKMR VINYL WM 1.5" THRD WHT ABS	\$233.76	\$359.63

S20 Skimmers for Vinyl Liner Pools



Part Number	Description	Dealer Price	List Price
PEN84452200	S20S FW EQ STD XLG	\$225.61	\$347.09
PEN84472400	S20L FW STD XLG	\$198.98	\$306.13
PEN08650-6404	U-3 SKMR GRY SLP RES W/O FLOAT ASY	\$111.12	\$170.96
PEN08650-4404	U-3 SKMR WHT LID 2"SLP W/1.5"SLP RDCR W/O FLOAT	\$111.12	\$170.96

Options/Accessories

Part Number	Description	Dealer Price	List Price
PENP506160	ASY FLOAT VLV	\$47.92	\$95.84
PENP506161	ASY VACUUM PLT	\$18.24	\$36.48
PENP516215	LID DECK WHITE	\$47.92	\$95.84

8" Main Drain Complete VGB Compliant

Part Number	Description	Dealer Price	List Price
VINYL LINER			
PEN500130	VGBA 8"MNDRN VNYL 2PORT ABS SUMP WHT 2PK	\$130.59	\$200.91
GUNITE			
PEN500110	VGBA 8"MNDRN 2"SIDEx1.5" BOT WHT ABS SUMP 2PK	\$92.32	\$142.03
PEN500108	VGBA MNDRN GUN CVR/RNG LNG WHT	\$34.64	\$53.29

Deck Jets

Deck Jet

- Includes 5 interchangeable effect eyeballs and construction shield
- Stream reach 8'



MagicStream™ Deck Jet I



MagicStream™ Deck Jet II

Deck Jet II

- 360° adjustable
- Fights flush w/ deck (no unsafe screws or edges)
- 6' stream

Part Number	Description	Dealer Price	List Price
PEN580000	DECKJET ASY	\$34.64	\$53.29
PEN580003	DECK JET II (SOLD INDIVIDUALLY)	\$117.77	\$181.18

White Goods

Wall Fittings

1 1/2" Threaded Directional Eyeball

Part Number	Description	Dealer Price	List Price
PEN540021Z	FTG HYDRSTRM 3/4 50PK WHT	\$2.95	\$5.91
PEN540022	FTG HYDRSTRM 3/4 50PK BLK	\$3.15	\$4.85
PEN540023	FTG HYDRSTRM 3/4 50PK DK GRY	\$3.15	\$4.85
PEN540028	FTG HYDRSTRM 1" 50PK WHT	\$3.15	\$4.85

Insider Directional Fitting

Part Number	Description	Dealer Price	List Price
PEN540035	FTG 1.5 INSDR HYD 1/2" 50PK WHT	\$3.15	\$4.85
PEN540042	FTG 1.5 INSDR HYD 3/4" 50PK WHT	\$3.15	\$4.85
PEN540051	FTG 1.5 INSDR HYD 1" 50PK DK GRY	\$3.15	\$4.85

Eyeball Insider Inlet Fitting

Part Number	Description	Dealer Price	List Price
PEN08434-0000	FTG ASY 150 INLET WHT	\$8.61	\$13.25

Return Fittings

Gunite/Concrete

Part Number	Description	Dealer Price	List Price
PEN542402	BODY RTN FTG 50PK LNG 1.5Tx1.5S WHT	\$8.79	\$13.52
PEN542405	BODY RTN FTG 50PK STD 1.5Tx1.5S WHT	\$8.07	\$12.42
PEN542419	BODY FTG RTN 50PK STD 1.5Tx1.5S BLK	\$8.33	\$12.81

Insider Fitting for Gunite/Concrete

Part Number	Description	Dealer Price	List Price
PEN542423	FTG 2" INSIDER WALL WHT	\$9.21	\$14.17
PEN542424	FTG 2" INSIDER WALL BLK	\$10.76	\$16.56

Automatic Water Fillers

Autofill

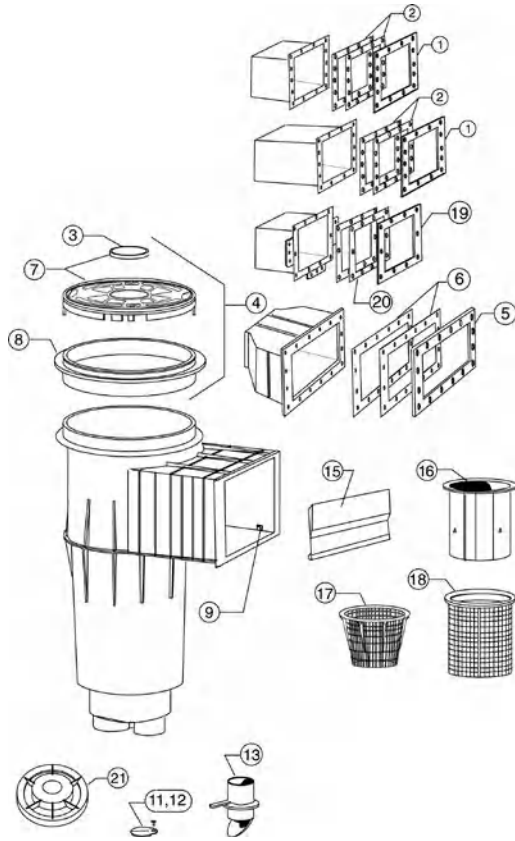
- No electronic controls
- Prevents equipment damage caused by low water levels
- Prevents water waste due to overfilling pool



Part Number	Description	Dealer Price	List Price
PENT40FBK	AUTOFILL FLDMSTR BLK	\$143.91	\$221.40
PENT40FG	AUTOFILL FLDMSTR GRY	\$144.22	\$221.88
PENT40FW	AUTOFILL FLDMSTR WHT	\$143.91	\$221.40

ADMIRAL™ SKIMMERS

REPLACEMENT PARTS



Item	Part No.	Description	US List	Can. List
ADMIRAL SKIMMERS				
1	85004200	Frame, sealing liner, white std. 12 hole pattern	32.07	38.54
1	85004211	Frame, sealing liner, black std. 12 hole pattern	32.07	38.54
1	85004213	Frame, sealing liner, gray std. 12 hole pattern	32.07	38.54
2	85001600	Gasket set, liner, std. 12 hole pattern	45.74	54.96
3	510161	Disk, logo	7.79	9.36
4	85000400	Lid/ring seat, complete, white	71.59	86.02
4	85000411	Lid/ring seat, complete, black	60.10	72.22
4	85018000	Lid/ring seat, complete, tan	93.00	111.75
5	85007600	Frame, sealing liner, wide mouth, white	CALL	CALL
6	85007700	Gasket, sealing liner, wide mouth (2), white	59.85	71.92
7	85007400Z	Lock down lid, white	54.52	65.51
7	85007411	Lock down lid, black	40.35	48.48
7	85007413	Lock down lid, gray	39.98	48.04
7	85007430	Lock down lid, tan	49.19	59.11
8	85000600	Ring seat only, 9 in. diameter, white	23.69	28.47
8	85017900	Ring seat only, 9 in. tan	30.22	36.31
9	85017500	Pivot tab for flap weir	1.86	2.23

Item	Part No.	Description	US List	Can. List
11	85002400	Trimmer valve plate, residential	8.36	10.05
12	98204400	Screw for trimmer plate, 10-24 x 1/2 in.	3.68	4.42
13	85002600	Vari-flo control insert only	18.10	21.75
15	85001500	Flap weir	45.74	54.96
16	R38013B	Floating weir, circular	24.96	29.99
17	85014500	Basket, tapered	38.33	46.06
17	85014600	Basket, tapered (S-20 Model Only)	20.70	24.87
18	R38013AZ	Basket, for floating weir	37.97	45.62
19	85000300	Frame, liner, American 10 hole pattern	76.54	91.97
20	81111800	Gasket set, large 10 hole pattern, w/ dbl. wall	24.33	29.23
20	81111700	Gasket set, large 10 hole pattern, w/o dbl. wall	24.33	29.23
21	85015200	Equalizer assembly	71.23	85.59
NOT SHOWN				
	98202600	Screw, sealing ¹	CALL	CALL
	98202700	Screw, sealing ¹	CALL	CALL
	98202900	Screw, sealing ²	2.93	3.52
	98207200	Screw, sealing ²	CALL	CALL
	98203000	Screw ²	3.43	4.12
	85008500	Screw kit, American 10 hole pattern	CALL	CALL
	85008600	Screw kit, American 10 hole pattern, extra long	32.31	38.82
	85008700	Screw kit, std. 12 hole pattern	32.31	38.82
	85008800	Screw kit, std. 12 hole pattern, extra long	32.31	38.82
	85015100	O-ring, skimmer bottom	12.84	15.43
	355330	O-ring, equalizer	2.73	3.28
	85016600Z	Rubber stopper, flap weir	8.33	10.01
	98213000	Screw, 8-32 x 5/8 in. commercial lid	2.94	3.53
	98208500	Washer, gum commercial lid	3.06	3.68
	85014700	Handle, basket	8.28	9.95
	85007200	Angle bracket	CALL	CALL
	85012800	Track-VF skimmer	CALL	CALL
	85014200	Trimmer, equalizer	CALL	CALL
	85009500	Skimmer Lid (Old Style)	42.60	51.19

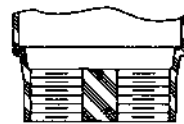
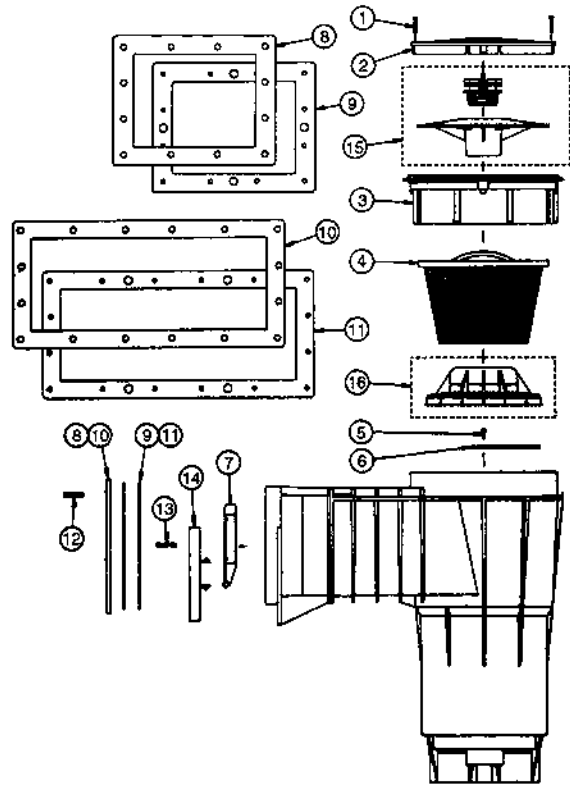
¹ Used on skimmers manufactured before 2-1-76.

² Used on skimmers manufactured after 2-1-76.

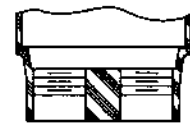
BERMUDA™ SKIMMERS

REPLACEMENT PARTS FOR GUNITE & VINYL LINER SKIMMERS

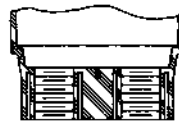
Item	Part No.	Description	US List	Can. List
BERMUDA SKIMMERS				
1	516242	Screw, No.8-32 x 1 in. SS, 2 req.	2.09	2.51
2	516215	Deck lid, white	40.35	48.48
2	516216	Deck lid, tan	40.35	48.48
2	516306	Deck lid, black	40.35	48.48
3	516259	Deck collar, vinyl, white	44.57	53.56
3	516260	Deck collar, vinyl, tan	47.68	57.29
3	516307	Deck collar, vinyl, black	53.83	64.68
3	516253	Deck collar, gunite, white	35.63	42.81
3	516258	Deck collar, gunite, tan	41.60	49.99
3	516329	Deck collar, gunite, black	45.54	54.72
4	516112Z	Basket	43.86	52.70
5	516243	Screw, No.8 x 1/2 in. SS	0.49	0.59
6	516228	Trimmer plate	8.36	10.05
7	516252Z	Weir gate assembly, white	33.03	39.69
7	516315	Weir gate assembly, black	36.88	44.32
8	516264	Face plate kit, standard throat, white	132.75	159.51
8	516324	Face plate kit, standard throat, black	98.10	117.88
9	552566	Gasket, standard throat, 2 req.	11.04	13.27
10	516265	Face plate kit, widemouth throat, white	132.27	158.94
10	516318	Face plate widemouth, black	141.09	169.53
11	516231	Gasket, widemouth throat, 2 req.	17.22	20.69
12	516345	Screw, No.12-8 x 1-1/4 in. SS, std. face plate	CALL	CALL
13	516241	Screw, No.12-8 x 1-1/4 in. SS, 4 req.	8.36	10.05
14	516237	Flange spacer, 3 req.	8.36	10.05
OPTIONS				
15	506161	Vacuum plate assembly	36.20	43.50
16	506160	Float valve assembly	95.09	114.26
16	195829	2 in. O-ring style plug	12.84	15.43
16	192323	2 in. O-ring for 195829 plug	9.73	11.69
16	191474	1-1/2 in. O-ring for 191368 plug	1.36	1.63
16	506162	Equalizer valve assembly	73.14	87.89
NOT SHOWN				
	516254	Lid/collar set, white	123.79	148.75
	516328	Lid/collar set, black	123.79	148.75
	516261	Lid/collar set, tan	123.79	148.75



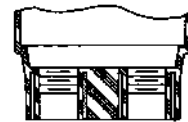
2 in. NPSM Thread



2 in. NPSM Thread
2 in. Slip



1-1/2 in. NPSM Thread

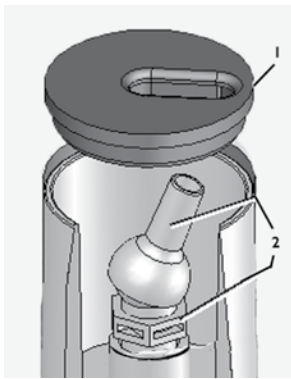
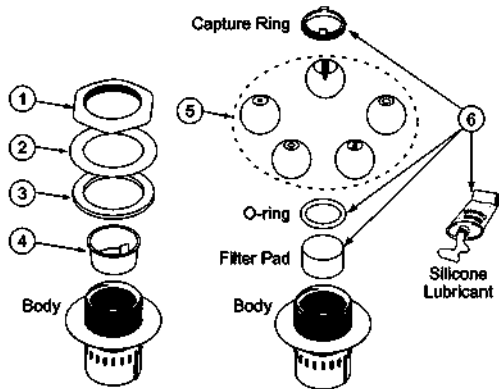


1-1/2 in. NPSM Thread
1-1/2 in. Slip

¹ For skimmers manufactured after 2/1/93.

DECK JET & MAGICSTREAM® DECK JET II

REPLACEMENT PARTS

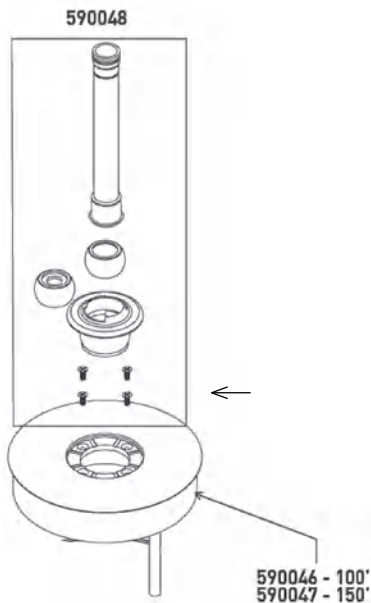


Item	Part No.	Description	US List	Can. List
DECK JET				
1	87200800	Fitting nut, sealing liner 2 in.	11.02	13.24
2	87200700	Friction ring, SIF	10.15	12.20
3	87201200	Gasket TH-AGF 3.5 in. OD x 2-3/8 in. ID	12.04	14.47
4	590005	Plug, Gunite Shield, L20	7.02	8.44
5	590010	Eyeball kit includes installation card	208.76	250.85
6	590011	Accessory kit includes Capture ring, 2 qty.; O-ring, 3 qty.; Filter Pad, 2 qty.; Silicone Lubricant, 1 qty.	34.78	41.79

Item	Part No.	Description	US List	Can. List
MAGICSTREAM DECK JET II				
1	590042	MagicStream Deck Jet II cover, bronze color, each	92.10	110.67
1	590150	MagicStream Deck Jet II cover, tan color each, each	33.62	40.40
2	590041	MagicStream Deck Jet II Nozzle Kit (Includes nozzle base and nozzle swivel, set of 4)	180.49	216.88

COLORCASCADE LED LIGHT BUBBLER

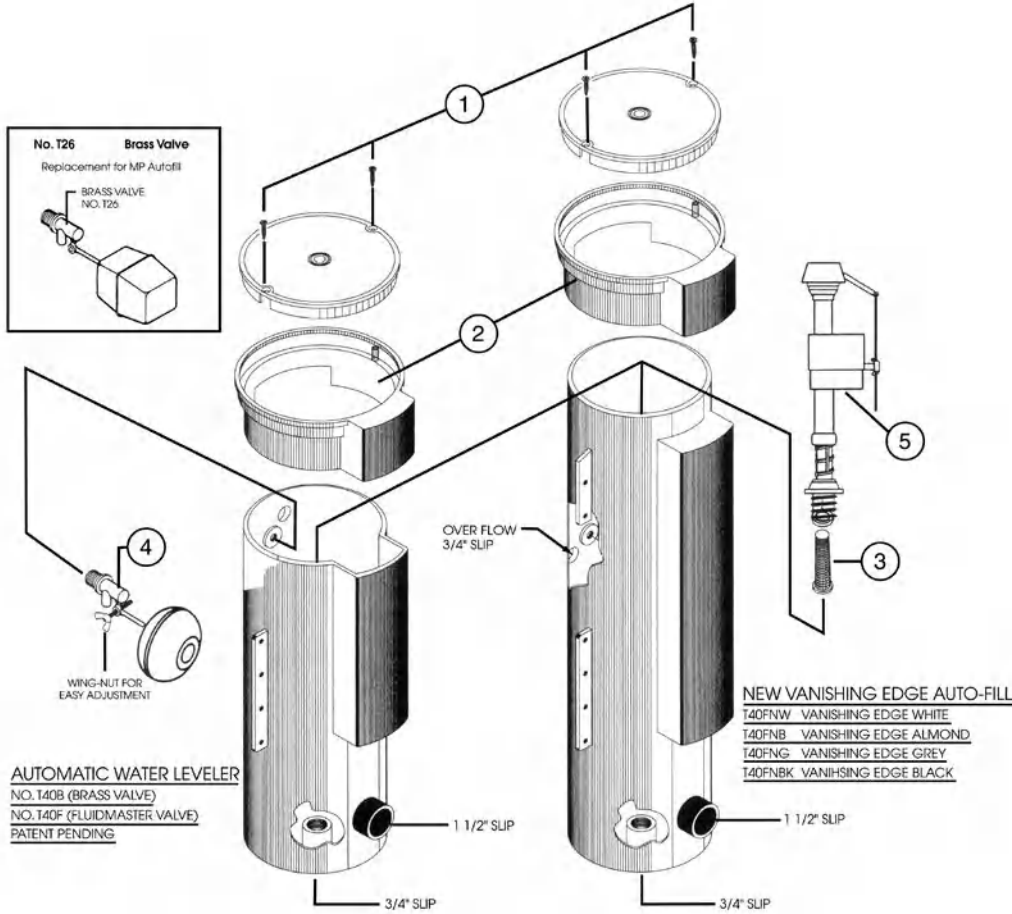
REPLACEMENT PARTS



Item	Part No.	Description	US List	Can. List
COLORCASCADE LED LIGHT BUBBLER				
1	590046	LED Bubbler replacement light engine with 100 ft. cord	CALL	CALL
2	590047	LED Bubbler replacement light engine with 150 ft. cord	CALL	CALL
3	590048	Accessory Kit	CALL	CALL

AUTOMATIC WATER FILLERS

REPLACEMENT PARTS



Item	Part No.	Description	US List	Can. List
AUTOMATIC WATER FILLERS				
1	T10W	AutoFill lid, with screws, white	27.48	33.02
1	T10B	AutoFill lid, with screws, almond	27.48	33.02
1	T10G	AutoFill lid, with screws, gray	27.48	33.02
1	T10BK	AutoFill lid, with screws, black	27.48	33.02
	T10DG	Autofill lid with screws, dark gray	27.47	33.01
2	T16W	AutoFill top ring, white	30.12	36.19
2	T16B	AutoFill top ring, almond	30.12	36.19
2	T16G	AutoFill top ring, gray	30.12	36.19
2	T16BK	AutoFill top ring, black	30.12	36.19
	T16DG	Autofill top ring, dark gray	30.12	36.19
3	T24	Debris screen w/ washer	12.90	15.50
4	T26	Brass valve	82.54	99.18
4	261058	Plastic valve	56.67	68.09
5	T29	Fluidmaster® valve	50.04	60.13
NOT SHOWN				
	370006	T-40 FW Parts Bag	106.44	127.90
	T6EXT	6 in. extension for Fluidmaster valve	CALL	CALL

Safety & Maintenance

Pacific Echo Flexible PVC Hose

Part Number	Description
PACBFP1	1" X 100' Flex
PACBFP1.5	1 1/2" X 100' Flex
PACBFP1.5/50	1.5" X 50' Flex
PACBFP2	2" X 100' Flex
PACBFP3	3" X 100' Flex

CALL FOR PRICING



JED Vac Hose

Part Number	Description	Dealer Price
JED60-250D-25	Deluxe Super-Loop Hose, 1-1/2" x 25', Swivel & Deluxe Cuff, Box	\$24.78
JED60-250D-30	Deluxe Super-Loop Hose, 1-1/2" x 30', Swivel & Deluxe Cuff, Box	\$28.14
JED60-250D-35	Deluxe Super-Loop Hose, 1-1/2" x 35', Swivel & Deluxe Cuff, Box	\$31.50
JED60-250D-40	Deluxe Super-Loop Hose, 1-1/2" x 40', Swivel & Deluxe Cuff, Box	\$34.86
JED60-250D-45	Deluxe Super-Loop Hose, 1-1/2" x 45', Swivel & Deluxe Cuff, Box	\$38.22
JED60-250D-50	Deluxe Super-Loop Hose, 1-1/2" x 50', Swivel & Deluxe Cuff, Box	\$41.58

Part Number	Description	Dealer Price
JED60-250S-30	Commercial Hose, 1-1/2" x 30', Swivel & Deluxe Cuff, Box	\$41.58
JED60-250S-35	Commercial Hose, 1-1/2" x 35', Swivel & Deluxe Cuff, Box	\$47.04
JED60-250S-40	Commercial Hose, 1-1/2" x 40', Swivel & Deluxe Cuff, Box	\$52.50
JED60-250S-45	Commercial Hose, 1-1/2" x 45', Swivel & Deluxe Cuff, Box	\$57.96
JED60-250S-50	Commercial Hose, 1-1/2" x 50', Swivel & Deluxe Cuff, Box	\$63.42
JED60-250S-75	Commercial Hose, 1-1/2" x 75', Swivel & Deluxe Cuff, Box	\$94.08

Poolguard Pool Alarms

Inground/Aboveground Pool Alarms

- Battery powered, portable, sits on deck
- Automatic reset

Net price - No additional discount

Part Number	Description	Dealer Price
PGRM-2 IG	POOLGUARD IN-GROUND POOL ALARM	\$168.00
PGRM-SB	POOL GUARD A/G	\$138.00
PGRM-DAPT-2	POOL GUARD DOOR ALARM - NEW	\$42.00



Safety & Maintenance

Automatic Pool Cleaners

Kreepy Krauly

Platinum Automatic Pool Cleaner Less PUMP (replaced part no. PENLL105PM), Pressure Side Pump

Indicates Albany Only

Part Number	Description	Dealer Price	List Price
PENLL505PM	CL PLATINUM WHT AND GRY	\$1,102.41	\$1,696.02
PENLL505PMG	CL PLATINUM ALL GRY	\$1,102.41	\$1,696.02

Legend, Pressure Side Inground Cleaner (without pump)

Part Number	Description	Dealer Price	List Price
PENLL505G	LEGEND NEW LESS PMP	\$846.57	\$1,302.42
PENLL505GG	CLNR POOL LEGEND ALL GRY	\$885.19	\$1,361.83

Legend II, Pressure Side Inground Cleaner (without pump)

Part Number	Description	Dealer Price	List Price
PENLX5000G	LEGEND II NEW LESS PMP	\$846.59	\$1,302.44
PENLX5000GG	CLNR LEGEND II ALL GREY	\$885.19	\$1,361.83

Letro Booster Pump

Part Number	Description	Dealer Price	List Price
PENLA01N	PUMP UNIV BSTR 3/4HP	\$503.35	\$774.39

Kreepy Krauly Classic Suction-Side Inground

Part Number	Description	Dealer Price	List Price
PEN360042	SEAL IG KREEPY CKPOOL CLEANER PLEATED	\$508.27	\$781.95

Kreepy Krauly Lil' Shark

Part Number	Description	Dealer Price	List Price
PEN360100	CLNR POOL LIL SHARK	\$241.61	\$371.70
PENGW7900	CLNR POOL SAND SHARK IG	\$757.61	\$1,165.55



Legend II



Kreepy Krauly



Lil' Shark

Safety & Maintenance

Automatic Pool Cleaners (continued)

Indicates Albany Only

E-Z Vac Suction-Side Aboveground

Part Number	Description	Dealer Price	List Price
PENK50600	CLEANER E-Z VAC AG	\$270.74	\$416.53

Robotic Inground Pool Cleaner

Part Number	Description	Dealer Price	List Price
PEN360321	PROWLER 910	\$750.62	\$1,154.81
PEN360322	PROWLER 920	\$1,302.58	\$2,003.97
PEN360540	PROWLER 930W	\$1,857.45	\$2,857.61



Prowler 920



Prowler 930W

Midwest Canvas Solar Covers

Part Number	Description	Dealer Price	List Price
RECTANGLE			
MID1224RH	12X24 HEAVY SOLAR COVER BLUE RECT.	\$55.97	\$86.11
MID1632REXH	16X32 X-HEAVY SOLAR COVER BLUE RECT	\$122.47	\$188.42
MID1632RH	16X32 HEAVY SOLAR COVER BLUE RECT	\$99.51	\$153.09
MID1636REXH	16X36 X-HEAVY SOLAR COVER BLUE RECT	\$137.78	\$211.97
MID1636RH	16X36 HEAVY SOLAR COVER BLUE RECT	\$111.95	\$172.22
MID1836REXH	18X36 X-HEAVY SOLAR COVER BLUE RECT	\$155.00	\$238.46
MID1836RH	18X36 HEAVY SOLAR COVER BLUE RECT	\$125.94	\$193.75
MID2040REX	20X40 X-HEAVY SOLAR COVER BLUE RECT	\$191.36	\$294.40
MID2040RH	20X40 HEAVY SOLAR COVER BLUE RECT	\$155.48	\$239.20
ROUND			
MID15RNDH	15 HEAVY SOLAR COVER BLUE ROUND	\$43.73	\$67.28
MID18RNDH	18 HEAVY SOLAR COVER BLUE ROUND	\$62.97	\$96.88
MID21RNDH	21 HEAVY SOLAR COVER BLUE ROUND	\$85.71	\$131.86
MID24RNDH	24 HEAVY SOLAR COVER BLUE ROUND	\$111.95	\$172.22
MID28RNDH	28 HEAVY SOLAR COVER BLUE ROUND	\$152.37	\$234.42
MID30RNDH	30" HEAVY SOLAR COVER BLUE ROUND	\$174.92	\$269.10

Safety & Maintenance

Merlin Safety Covers



Merlin Mesh Pool Safety Covers meet the following criteria:

- Green only
- Step size 4' X 8'
- Use standard hardware only
- If wood deck anchors, brass flanges, lawn stakes, and/or tubes are needed, must use rectangle sq. ft. pricing

HOW TO MEASURE: Stand on deep end, looking at shallow end to measure for all steps. Mark A-B points/numbers in a clockwise direction

Pool Size	Cover Size	# of Anchors No Step	Mesh No Step	# of Anchors w/ Step	Mesh w/ Step
16 X 32	18 X 34	22	CALL	24	CALL
18 X 36	20 X 38	26	CALL	28	CALL
20 X 40	22 X 42	26	CALL	28	CALL

Merlin Accessories

Part Number	Description	List Price
MERPAT	MESH PATCH KIT (GR, BLK, BL)	\$28.00
MERPATS	SOLID PATCH KIT (GR, BL)	\$28.00
MERPATT	SMART MESH PATCH (GR, BL)	\$28.00
MERBF	BRASS FLANGE	\$3.50
MERBPU	BRASS POP UPS	\$8.50
MERIT	INSTALL TOOL	\$26.00
MERITS	SS INSTALL TOOL	\$66.00

Part Number	Description	List Price
MERDSSS	D-RING SPRING	\$11.00
MERSSSS	SHORT SPRING	\$9.75
MERSSS	SS STANDARD SPRING	\$10.50
MERSC	SPRING COVER BLK	\$2.75
MERSSED	EYE BOLT W/DROP IN	\$23.25
MERBAEWM	WINGMASTER ANCHOR REMOVAL TOOL	\$345.00
MERAW	ALLEN WRENCH/HEX KEY	\$11.00

Merlin Custom Safety Covers

Northern Supply is a distributor of Merlin custom pool and spa covers. Please see next page for ordering information.
Pricing subject to change.

ClearDeck Pool Covers



Part Number	Description	List Price
CDSCD1061-08	8' CLEAR DECK	\$1,606.00
CDSCD1061-10	10' CLEAR DECK	\$1,730.00
CDSCD1061-12	12' CLEAR DECK	\$1,859.00
CDSCD1061-13	13' CLEAR DECK	\$1,971.00
CDSCD1061-14	14' CLEAR DECK	\$1,982.00
CDSCD1061-15	15' CLEAR DECK	\$2,095.00
CDSCD1061-16	16' CLEAR DECK	\$2,133.00
CDSCD1061-18	18' CLEAR DECK	\$2,331.00
CDSCD1061-20	20' CLEAR DECK	\$2,476.00
CDSCD1061-24	24' CLEAR DECK	\$2,901.00
CDSCD1061-25	25' CLEAR DECK	\$3,001.00

CoverStar Custom Automatic Pool Covers



Call for more information about CoverStar auto-covers!

Northern Supply's

Custom Cover Process



(585) 657-6700



Diana@NorthernSupplyInc.com

1.

Measure pool specs and send a readable copy to:
Diana@northernsupplyinc.com

2.

Northern will send specs to Merlin for a custom quote and drawing.

3.

Once quote and drawing are received from Merlin, Northern will send to customer for approval.

4.

Customer must sign and date quote, and return it to Northern Supply.

In order to avoid mistakes, orders will NOT be processed until we receive a signed and dated quote from customer.

Safety & Maintenance

Mortex Decking Components

Visit the "Products" page at mortex.com to see images of the different forms!

Cantilever Forms

- Includes formbands, cove strip, spears & buttons, nails, and filament tape

Part Number	Description	Carton Qty.	Dealer Price
MORFKF	Keystone Forms, Spears & Buttons, White Cove Strip	112'/box	\$349.95
MORFKFCT	Keystone Forms, Spears & Buttons, Tan Cove Strip	112'/box	\$349.95
MORFKFCG	Keystone Forms, Spears & Buttons, Grey Cove Strip	112'/box	\$349.95
MORFSEFCG	Stone Edge Forms, Spears & Buttons, Grey Cove Strip	112'/box	\$542.51

Control Joint/ Expansion Base

Part Number	Description	Carton Qty.	Dealer Price
MORCJW	Control Joint - White	200'/box	\$233.22
MORCJM,T,C,G	Control Joint - (Marble, Tan, Charcoal, Grey)	200'/box	\$233.22
MORCXEB	Expansion Base	240'/box	\$240.40

Poly Pool Forms

Part Number	Description	Carton Qty.	Dealer Price
MORFPF	Poly Forms, Spears & Buttons, White Cove Strip	112'/box	\$349.95
MORFPFCG	Poly Forms, Spears & Buttons, Grey Cove Strip	112'/box	\$349.95

Renovation Forms

Part Number	Description	Carton Qty.	Dealer Price
MORFRMK	Renovation Form - Keystone w/o White Cove Strip	112'/box	\$328.90
MORFRMKC	Renovation Form - Keystone with White Cove Strip	112'/box	\$354.97

Control Joint/Cantilever Form Accessories

Part Number	Description	Carton Qty.	Dealer Price
MORCXFCW	Flair Cap - White	50'/box	\$91.20

Lineal Deck Drain

- Includes couplers and nailing clips

Part Number	Description	Carton Qty.	Dealer Price
MORDRW	Drain Rite - White	80'/box	\$397.07
MORDRT, DRM, DRG, DRC	Drain Rite - Tan, Marble, Charcoal, Grey	80'/box	\$397.07

Drain Rite Accessories

- Available in white, grey, tan, marble, and charcoal

*Call for current stock of specific colors

Part Number	Description	Carton Qty.	Dealer Price
MORDXECW	End Cap - White	1 ea	\$2.65
MORDX45W	45 Degree Angle - White	1 ea	\$14.02
MORDX90W	90 Degree Angle - White	1 ea	\$14.02
MORDXC	Coupler - White	1 ea	\$2.90
MORDXDS	Down Spout - White	1 ea	\$9.88
MORDXESW	End Spout - White	1 ea	\$9.88
MORDXSSW	Straight Spout - White	1 ea	\$9.88

Kool Deck

Part Number	Description	Dealer Price
KOOLDECK	Concrete Coating	\$299.00



Call for availability of colors

*This darker color will retain heat

Safety & Maintenance

Cardinal Cantilever Z-Forms

Liner Track

Part Number	Description	Dealer Price
CARHCW-S08X15	Horiz-Caplock Wht 8' Str	\$38.51
CARHZW-N08X15	8' Notched Bendale Coping	\$16.64
CARHZW-6RAD4	6" Radius (4 Pack)	\$27.77

Vinyl Tape

Part Number	Description	Dealer Price
CARWVT-250	WHITE VINYL TAPE (2 1/2" X 180')	\$26.76

Receiver Track Bead

Part Number	Description	Dealer Price
CARTSI-120G	GRAY VINYL TRIM SEAL - 120'	\$185.38
CARTSI-120W	WHITE VINYL TRIM SEAL - 120'	\$185.38

Pool Form Supports (Reusable)

Part Number	Description	Dealer Price
CARPF-001-S	Standard Pool Form - 7' 6" (8 Pcs/Case)	\$468.47
CARBPF-001-S	Bendable Pool Form - 7' 6" (8 Pcs/Case)	\$570.84

Rubber Profile Forms (Reusable)

Part Number	Description	Dealer Price
CARBRPL-008	Bermuda Form Liner - 8' 8 Pcs/Case	\$1,111.67
CARCSLPL-008	Chiseled Slate Form Liner - 8' 8 Pcs/Case	\$1,111.67
CARCSPL-008	Chiseled Stone Form Liner - 8' 8 Pcs/Case	\$1,111.67
CARBSPL-008	Bullnose Slate Form Liner - 8' 8 Pcs/Case	\$1,111.67
CARBPL-008	Bullnose Form Liner - 8' 8 Pcs/Case	\$1,111.67
CARSPL-008	Square Form Liner - 8' 8 Pcs/Case	\$1,111.67

Gunite/Fiberglass Receiver Track

Part Number	Description	Dealer Price
CARRT-001-S	Receiver Track - 7' 6" 16 Pcs/Case	\$225.16
CARBRT-001*	Bendable receiver Track - 8' 16 pcs/case	\$318.23

*Discontinued size

Stegmeier Cantilever Forms

Part Number	Description	Dealer Price
STE1CF112	Regular-Tie Wire-White	\$325.46
STE4287	2" X 60 Yards Orange Tape	\$18.21
STE5CF112	Renovation Form Capstone - T.W.	\$303.69
STE84RCC6-I	6" Inside/Clip-Loc Capstone Corners	\$467.22
STE8CF1000FT	Clip-Loc Capstone-Flex Track	\$860.13
STE8CF1000NT	Clip-Loc Capstone-No Track	\$664.98
STE94RC6-I	6" Inside/Capstone Corners	\$104.05
STE94RC6-O	6" Outside/Capstone Corners	\$104.05
STE9CF112	Capstone-Tie Wire-White	\$500.71
STEREN2	Renovation Foam Form Tool / 4/Ctn	\$68.72

Safety & Maintenance

Cement and Primer

United Elchem/Un-Weld PVC Cement

Part Number	Description	Carton Qty.	Dealer Price
UNI1546S	CLEAR PVC HEAVY DUTY CEMENT PT	12/case	\$15.63
UNI1536S	CLEAR PVC HEAVY DUTY CEMENT QT	12/case	\$24.04
UNI1256S	CLEAR PVC MEDIUM BODY CEMENT 1/2 PT	24/case	\$5.27
UNI1736S	GRAY PVC HEAVY DUTY CEMENT QT	12/case	\$24.66

Blue PVC Cement

Part Number	Description	Carton Qty.	Dealer Price
UNI2336S	BLUE POOL-TITE PVC CEMENT QT	12/case	\$16.72
UNI2366S	BLUE POOL-TITE PVC CEMENT 1/4 PT	24/case	\$4.21

Un-Weld Primer High Strength, Clear

Part Number	Description	Carton Qty.	Dealer Price
UNI9346S	CLEAR PRIMER PT	24/case	\$9.83
UNI9336S	CLEAR PRIMER QT	12/case	\$14.47
UNI9356S	CLEAR PRIMER 1/2 PT	12/case	\$5.80
UNI9366S	CLEAR PRIMER 1/4 PT	12/case	\$3.77

Pour-a-lid

Indicates Albany Only

Part Number	Description	Dealer Price
STE201PALG	10" GREY POUR-A-LID SKIMMER COVER	\$23.85
STE201PALF	10" FROSTED POUR-A-LID SKIMMER COVER	\$23.85
STE201PALT	10" TAN POUR-A-LID SKIMMER COVER	\$25.35

Midwest Canvas Wall Foam

Part Number	Description	Dealer Price
MIDWF125	1/4"X42"X125' 2 LB WALL FOAM	\$114.40
MIDWF12525	1/8X"42"X125' 2 LB WALL FOAM	\$82.23

Bostik Pool Tak

Part Number	Description	Dealer Price
BOS30852227	BOSTIK POOL TAK 12/PK	\$150.00

Pentair Bioshield UV Disinfection Sanitizer

Neutralize Harmful Bacteria with 50% Less Chlorine

- Reduces chlorine usage by up to 50% - helps to eliminate itchy skin, burning eyes, chemical odors
- Energy efficient
- Easy to install and maintain in new pools
- Low operating costs (uses approximately the energy of a 60 W light bulb)



Part Number	Description	Dealer Price	List Price
PEN522635	BIOSHIELD UV 50W 120/240V 25GPM NSF FLOW SWITCH	\$897.79	\$1,381.22
PEN522636	BIOSHIELD UV 80W 120/240V 45GPM NSF FLOW SWITCH	\$925.23	\$1,423.42
PEN522637	BIOSHIELD UV 120W 120/240V 62GPM NSF FLOW SWITCH	\$985.04	\$1,515.45
PEN522638	BIOSHIELD UV 150W 120/240V 100GPM NSF FLOW SWITCH	\$1,097.27	\$1,688.11

Safety & Maintenance

Paramount UV - Ultraviolet Disinfection

Part Number	Description	Dealer Price	List Price
PAR004422202200	ULTRA UV 120V 2 LAMP	\$950.03	\$1,461.58
PAR004422202600	ULTRA UV 230V 2 LAMP	\$950.03	\$1,461.58



Paramount Infloor Cleaning Systems

Call for pricing

Air Supply and Rotron Blowers

Part Number	Description	Dealer Price	List Price
AIR6310120F	SILENCER BLOWER MOTOR 1.0HP 120V 4.5 AMPS	\$144.94	\$222.99
AIR6316120F	SILENCER BLOWER MOTOR 1.5HP 120V 7.0 AMPS	\$158.40	\$243.69
AIR6320120F	SILENCER BLOWER MOTOR 2.0HP 120V 9.0 AMPS	\$186.80	\$287.39
AIR6310220F	SILENCER BLOWER MOTOR 1.0HP 240V 2.4 AMPS	\$153.91	\$236.79
AIR6316220F	SILENCER BLOWER MOTOR 1.5HP 240V 3.5 AMPS	\$167.37	\$257.49
AIR6320220F	SILENCER BLOWER MOTOR 2.0HP 240V 4.5 AMPS	\$191.29	\$294.29

Air Supply Silencer Blower

- Recommended for residential use only
- Extremely quiet indoor/outdoor blower
- High quality spring check valve included

Part Number	Description
AIRDR404AQ58M	1HP/1PH, 50/60 CYCLE SPA BLOWER
AIRDR454V58M	1 1/2/1PH, 50/60 CYCLE SPA BLOWER
AIRDR505AW58M	2HP/1PH, 50/60 CYCLE SPA BLOWER
AIRDR513V58	1 1/2 HP/1PH, 50/60 CYCLE HIGH PRESSURE BLOWER
AIRDR505AS72M	2HP/3PH, 230/460V BLOWER
AIRDR555K58	3HP/1PH, 115/230V BLOWER
AIRDR555K72	3HP/3PH, 230/460V BLOWER

Rotron Commercial Blower

- Designed for continuous running operation in health clubs, condos, and hotels
- **CALL FOR PRICING AND AVAILABILITY**

Safety & Maintenance

Pentair ADA Compliant Aqua Lifts

Part Number	Description	Lift Capacity	Dealer Price	List Price
PEN11430	LIFT AQUATRAM LT-2 STD W/ ANCHOR	500 lbs	\$5,950.04	\$9,153.91
PEN11420	LIFT AQUATRAM 90 PLUS SQUARE POST W/ANCHOR	500 lbs	\$7,054.55	\$10,853.15



JED Pool Tools

Part Number	Description	List Price
LEAF RAKES		
JED40-386	Pro Deep Leaf Rake, Aluminum Frame and Handle, Vinyl Rim w/ Label	\$20.65
JED40-383	Deluxe Deep Leaf Rake, Aluminum Frame and Handle, w/ Label	\$11.80
LEAF SKIMMERS		
JED40-365	Pro Skimmer Head, Alum Frame, Replaceable Plastic Rim & Net with Label	\$14.00
JED40-364	Skimmer Head, Heavy Duty Plastic Frame, w/ Card	\$3.75
TELESCOPIC POLES		
JED50-550-16	Deluxe 16' Anodized Tele Pole, 2 Piece, Ext. Cam & Grip	\$26.22
JED50-560-16	Pro 16' Anod. Tele Pole, 2 Pc, Deluxe Ext. Cam & Grip 50% Greater Wall Thickness	\$47.44
WALL BRUSHES		
JED70-260	18" Curved Wall Brush	\$5.94
JED70-272	Pro 18" Algae Brush w/ Enameled Aluminum Double Clip Handle w/ SS Bristles	\$15.40
JED70-281	Corner & Step Combo Vacuum & Brush, BP w/ Header	\$4.25
VACUUMS		
JED30-177	Deluxe Weighted Clear Triangular Vacuum, Clamshell	\$16.52
JED30-178	Pro Weighted Clear View Vinyl Liner Vacuum w/ Plastic Double Clip, Clamshell	\$34.60
JED30-171	Premium Vinyl Liner Vacuum, Clamshell	\$13.40
JED30-163-B	Pro 14" Flexible Concrete Pool Vacuum, Clamshell	\$23.28
JED30-167	Pro 19" Flexible Concrete Pool Vacuum, Clamshell	\$33.28



JED40-386



JED40-365



JED70-260

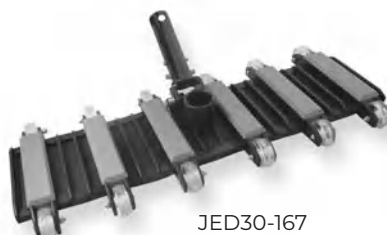


JED70-272

JED30-177



JED30-167



Manufacturer Contact Information

Manufacturer	Phone	Website
All Chem	352-378-9696	allchem.com
Cardinal	570-385-1244	cardinalpools.com
Carvin	1-866-979-4501	carvinpool.com
Clear Result	800-456-1134	clearresultusa.com
Clear Deck	866-607-3325	cleardecksystems.com
GLB	800-455-4311	glbpool.com
Haviland	800-456-1134	havilandusa.com
Hydra Pools	800-518-4199	hydrapools.com
JED Pool Tools	800-345-0685	jedpooltools.com
Merlin Industries	609-807-1000	merlinindustries.com
Mortex	800-338-3225	mortex.com
Oatey	800-321-9532	oatey.com
Paramount	800-621-5886	1paramount.com
Pentair Pool	800-831-7133	pentairpool.com
Pool Tool Company	805-644-2333	pooltool.com
S.R. Smith	800-824-4387	srsmith.com
Sea Klear	866-995-5327	seaklear.com
Spa Pure	800-333-0400	spapureusa.com
Taylor Technologies	800-837-8548	taylor technologies.com
Zodiac/Caretaker	800-822-7933	zodiacpoolsystems.com

Northern Supply's Warranty Process

REVISED



(585) 657-6700



Diana@NorthernSupplyInc.com

1.

Email
Diana@NorthernSupplyInc.com
to request an RMA. Have the
potential warranty item ready for
Northern to pick up.

2.

Once the item is returned to Northern, a warranty request will be submitted to the manufacturer.

3.

Depending on the individual circumstance, the manufacturer may or may not approve the item for warranty.

4.

If and when the warranty is approved by the manufacturer, Northern will issue a credit to the customer.

IMPORTANT

The reordering of a warranty item will be completely separate from the warranty process. You will be billed for this item just as you would with a regular order. Only after the item is returned to Northern, and manufacturer approves the warranty, will you receive credit.

Rochester (Bloomfield)
2959 Ashman Rd
Bloomfield, NY 14469
585-657-6700

OUR LOCATIONS

Albany (Coxsackie)
45 Homestead Dr
Coxsackie, NY 12051
518-731-9155



HAVILAND

